

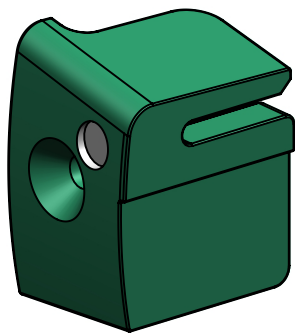
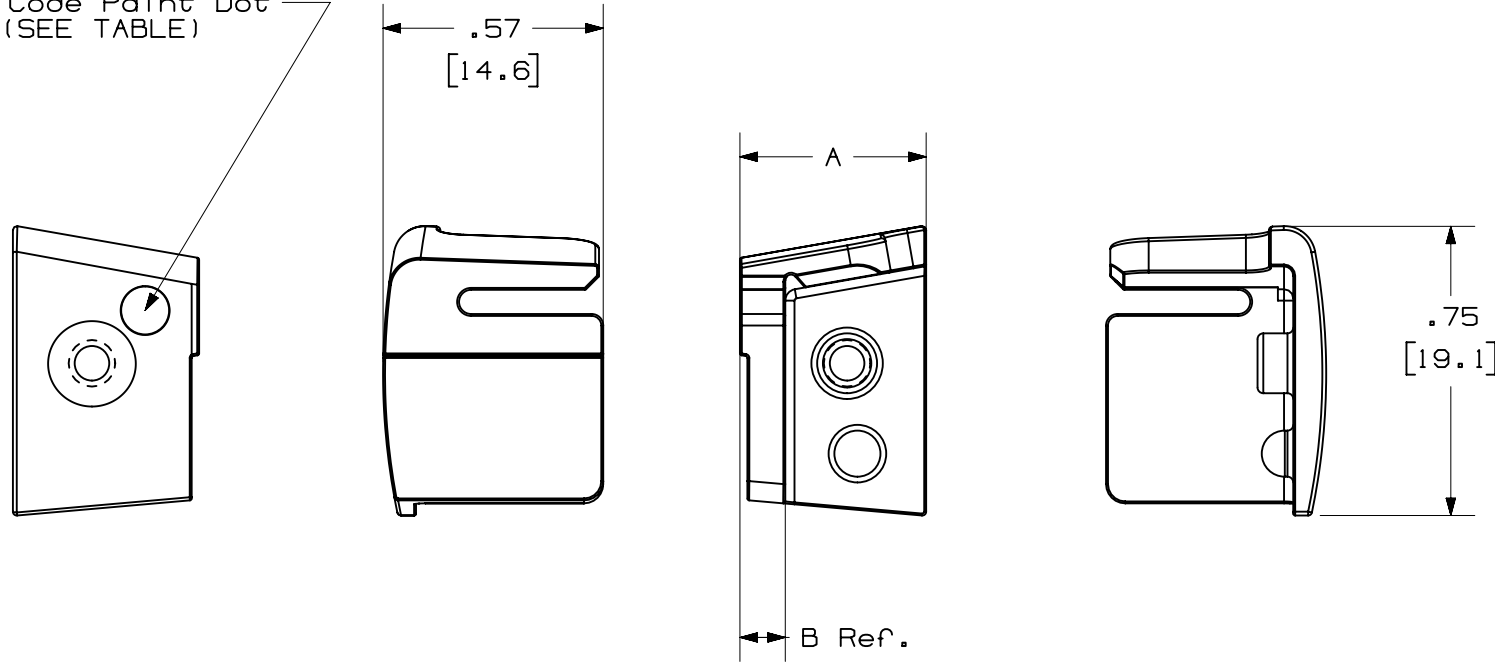
EXTENDED BLADE GUARD KITS

SEE NOTE


PART NO.	For use w/TOOLS:	DIM. A	DIM. B	Max. Cut-off Length	COLOR CODE
BG3GTS-E	GTS-E, GS2B-E & PTS	.484 (12.3mm)	.118 (3mm)	.118 (3mm)	ACRYLIC BRIGHT WHITE

1. DIMENSIONS IN [ ] ARE METRIC.
2. ALL MATERIALS AND COMPONENTS USED MEET THE MATERIAL RESTRICTIONS OF RoHS (EUROPEAN DIRECTIVE 2011/65/EU ON THE RESTRICTION OF HAZARDOUS SUBSTANCES) AS PROPOSED BY THE RoHS TECHNICAL ADAPTATION COMMITTEE.
3. BLADE GUARD KITS INCLUDE:  
BLADE GUARD  
REPLACEMENT SCREW  
THREADLOCKER
4. CABLE TIE CUT-OFF LENGTH WILL NOT EXCEED MAX. CUT-OFF LENGTH IN TABLE. CUT-OFF LENGTH IS DEPENDENT ON VARIOUS ELEMENTS INCLUDING CABLE TIE STYLE, DISTANCE BETWEEN LOCKING SERRATIONS, CONDITION OF THE TIES (DRY VS. MOISTURE CONDITION), SPEED OF TOOL ACTUATION.

Color Code Paint Dot  
(SEE TABLE)



REV	DATE	BY	CHK	APR	DESCRIPTION	ECN
01	3/16/2020	LAH	RDSE	ALP	PRODUCTION RELEASE	077232
00	1/16/20	LAH	RDSE	ALP	INITIAL RELEASE	

PART NUMBER		BG3GTS-E	
TITLE		Extended Blade Guard for GTS-E & GS2B-E	
CUSTOMER DRAWING			
ITEM REVISION NAME	R29649BA/01		
DATASET FILE NAME	R29649BA_DS_WB29649B01/01		
THIRD ANGLE PROJECTION		DRAWING NUMBER	
MATERIAL		WB29649B01	
DRAWN BY	DATE	CHK	SCALE
LAH	1/6/20	RDSE	2:1
SHEET 1 OF 1			SIZE
			B

B-SIZE CUSTOMER