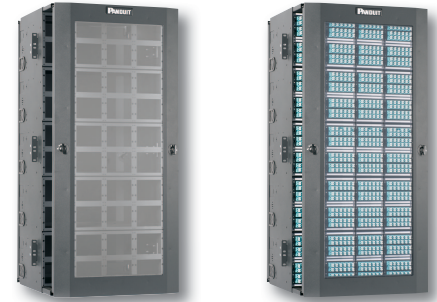


Opticom® 22 RU Fiber Rack Mount Enclosure

technical information

The 22 RU Opticom® enclosure houses, organizes, manages and protects fiber optic cable, terminations, connectors, and patch cords for interconnect or cross-connect applications. The enclosure accommodates Panduit pre-terminated MTP* Cassettes, associated trunk cables, connectors, patch cords, fiber adapter panels (FAPs), and fiber modular panels (FMPs). The Opticom® 22 RU Fiber Rack Mount Enclosure is constructed of steel with dual-hinged and removable front and rear doors. The front door features a large clear panel for optimum patch field and labeling visibility. The enclosure mounts to a standard 19" rack and offers multiple knockouts for a variety of trunk cable entry points.



application

The enclosure can serve as interconnect to active equipment in switch racks or server cabinets, or can be specified for cross-connect or inter-connect use in main distribution, zone distribution, or horizontal distribution areas.

specifications

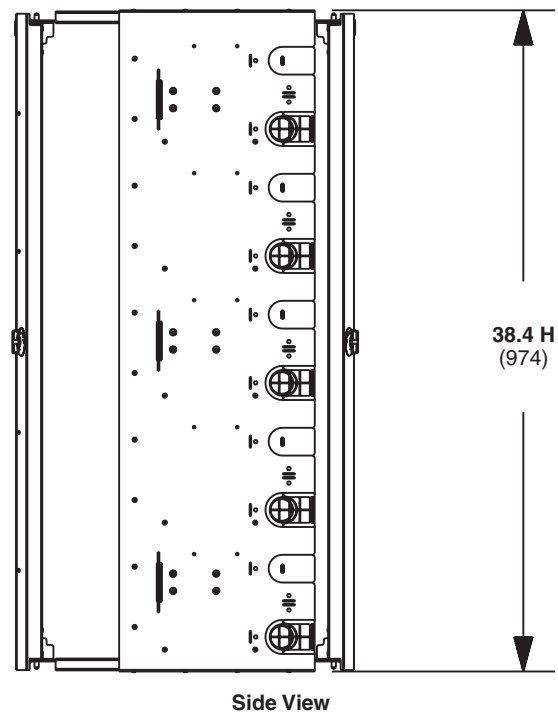
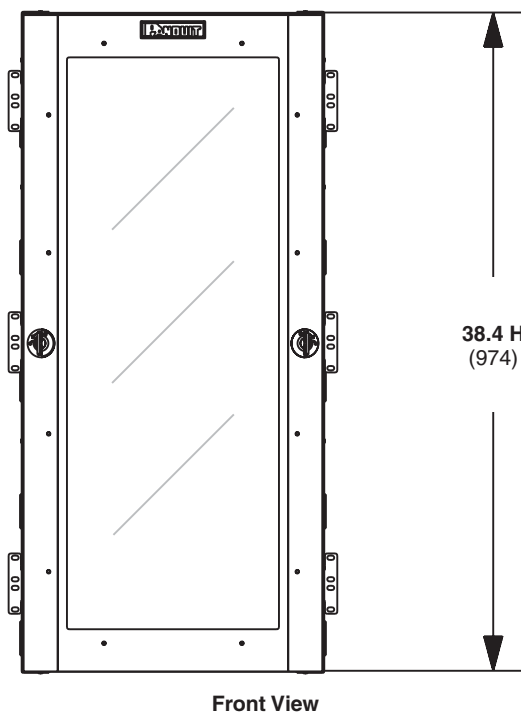
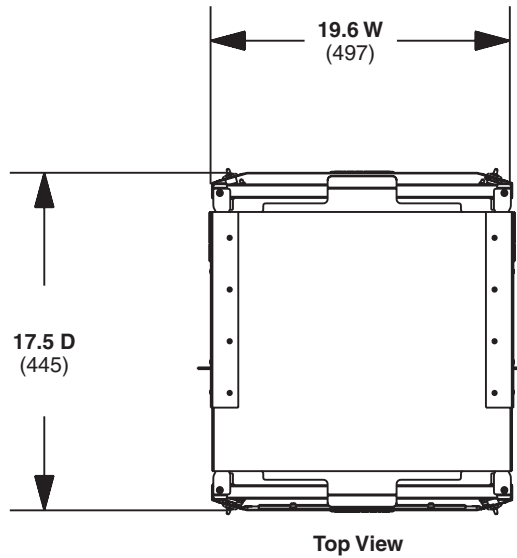
Dimensions:	38.4"H x 19.6"W x 17.5"D (974mm x 497mm x 445mm)
Number of rack units:	22
Accessories:	Mounting hardware and accessory kit with labels included
Front patch density:	Maximum of 80 FAPs or cassettes 960 duplex LC ports in FAPs or cassettes 5760 fibers with MPO FAPs
Rear cable and slack storage:	960 duplex patch cords with 1.6mm jacketing or 480 12-fiber array cables (oval 2mm x 4.5mm or round Ø3.0mm cables)

key features and benefits

Works with all Panduit® Opticom® LC, SC, ST, MT-RJ and MTP* Connector Fiber Adapter Panels:	Provides versatility and flexibility with a fully modular solution for a variety of fiber optic patching and terminations
Single solution for routing significant amounts of fiber:	The FRME22U allows for routing of fiber in high density applications. Can replace multiple stacked enclosures to reduce installation time and packaging waste
One-to-one patching capability:	Yields higher port densities for one-to-one patching
TIA-606-A compatible labeling:	Facilitates standards-based, mechanically printed labeling of fiber connectivity, patchfields, and enclosures. Enables clear and accurate labeling for easy moves, adds, and changes

*MTP is a registered trademark of US Conec Ltd.

Opticom® 22 RU Fiber Rack Mount Enclosure



Dimensions are in inches (Dimensions in parenthesis are metric)

WORLDWIDE SUBSIDIARIES AND SALES OFFICES

PANDUIT CANADA
Markham, Ontario
cs-cdn@panduit.com
Phone: 800.777.3300

PANDUIT EUROPE LTD.
London, UK
cs-emea@panduit.com
Phone: 44.20.8601.7200

PANDUIT SINGAPORE PTE. LTD.
Republic of Singapore
cs-ap@panduit.com
Phone: 65.6305.7575

PANDUIT JAPAN
Tokyo, Japan
cs-japan@panduit.com
Phone: 81.3.6863.6000

PANDUIT LATIN AMERICA
Guadalajara, Mexico
cs-la@panduit.com
Phone: 52.33.3777.6000

PANDUIT AUSTRALIA PTY. LTD.
Victoria, Australia
cs-aus@panduit.com
Phone: 61.3.9794.9020

For a copy of Panduit product warranties, log on to www.panduit.com/warranty

For more information

Visit us at www.panduit.com

Contact Customer Service by email: cs@panduit.com
or by phone: 800.777.3300

PANDUIT®

©2014 Panduit Corp.
ALL RIGHTS RESERVED.
FBSP59--WW-ENG
1/2014