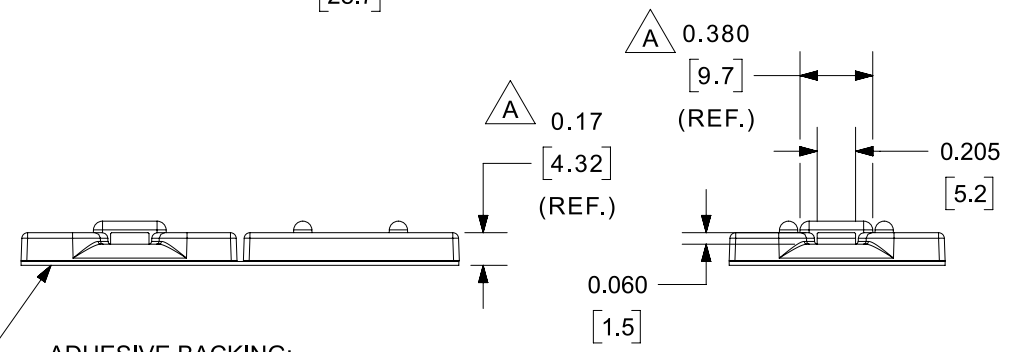
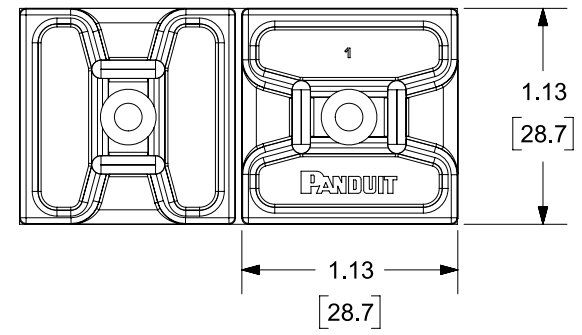


THIS COPY IS PROVIDED ON A RESTRICTED BASIS AND IS NOT TO BE USED IN ANY WAY DETRIMENTAL TO THE INTERESTS OF PANDUIT CORP.

NO WARRANTY, EXPRESSED OR IMPLIED, IS MADE BY PANDUIT WITH RESPECT TO ADHESIVE BOND PERFORMANCE. AMONG OTHER THINGS, THE CONDITIONS UNDER WHICH THESE MOUNTS MAY BE APPLIED AND/OR THE SURFACE TO WHICH THEY MAY BE APPLIED ARE BEYOND PANDUIT'S CONTROL.



ADHESIVE BACKING:
PRESSURE SENSITIVE FOAM TAPE
0.04 [1.0] THICK WITH PROTECTIVE
LINER. MOUNT IS DESIGNED TO
SUPPORT 0.8 lb. (272G.) MAX. WEIGHT
ON A CLEAN, DRY, SMOOTH, GREASE-FREE
SURFACE.

PANDUIT PART NUMBER*	WEIGHT LBS/100 pcs. (g)/100 pcs.	USE WITH THESE CABLE TIE CROSS-SECTIONS
ABMS-A	0.42 (189)	M, I, S

- TO APPLY ADHESIVE MOUNT:**
- 1) REMOVE PROTECTIVE LINER.
 - 2) PLACE IN DESIRED LOCATION.
 - 3) APPLY PRESSURE TO TOP SURFACE OF MOUNT.

- NOTES:**
- *1. SEE CURRENT PRICE SHEET FOR PART NUMBER SUFFIX DESIGNATIONS FOR PACKAGE SIZE.
 2. MOUNTS PROVIDED IN STRIPS OF TWO FOR EASY REMOVAL OR PROTECTIVE LINER.
 3. MOUNTS WILL BE ORIENTED IN LINE WITH, OR 90° FROM EACH OTHER AS ILLUSTRATED ABOVE.

B

B

A

A

N\GLOBAL_AS\SIZE

REV	DATE	BY	CHK	APR	DESCRIPTION	ECN
02A	8/15/2023	RVU	DPG	MSAD	A. ADDED "REF." TO 0.380 [9.7] AND 0.17 [4.32] DIMENSIONS.	GAECN06861
00A	10/12/2021	RVU	RMHI	JADE	DRAWING RELEASE.	GAECN06097

<p>TITLE</p> <p align="center">ABMS-A ADHESIVE BACKED MOUNT</p> <p align="center">CUSTOMER DRAWING</p>			
ITEM REVISION NAME		15K999BP/02	
DATASET FILE NAME		15K999BP_DC/02A ABMS CUST DWG	
UNLESS OTHERWISE SPECIFIED, DIMENSIONAL TOLERANCES ARE: IN [mm]		<p>PANDUIT</p> <p>MATERIAL:</p> <p align="center">NYLON 6/6</p> <p>DRAWING NUMBER:</p> <p align="center">15K999BP_DC</p>	
<p>.x ± 0.05 [1.3] .xxx ± 0.010 [0.25]</p> <p>.xx ± 0.02 [0.5] ANGLES ± 5°</p>		<p>THIRD ANGLE PROJECTION</p>	
DRAWN BY	DATE	CHK	SCALE
RVU	10/12/2021	JADE	NONE
SHT 1 OF 1			SIZE
			A