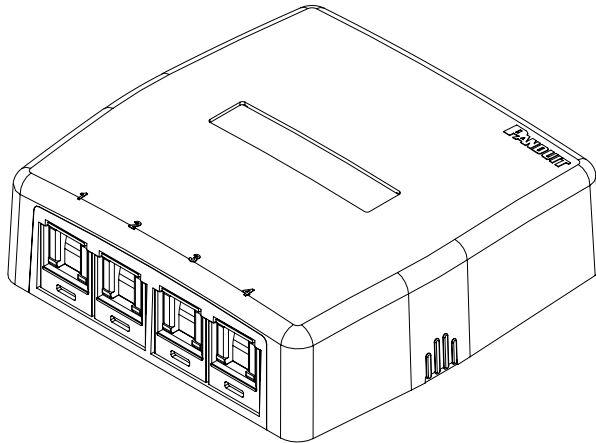
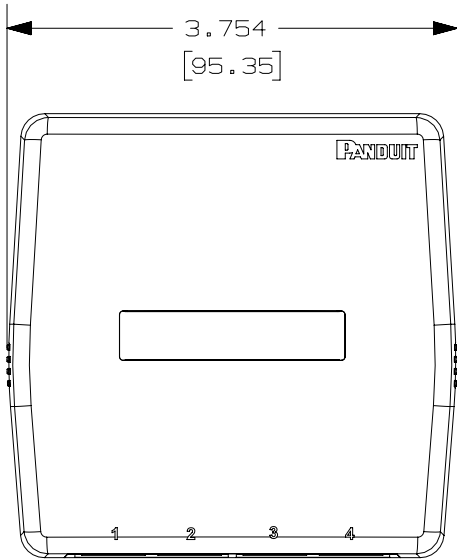


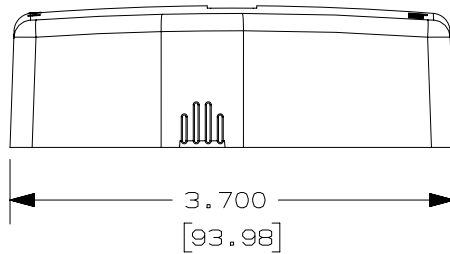
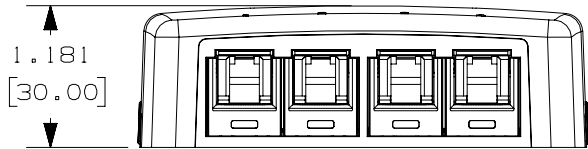
THIS COPY IS PROVIDED ON A RESTRICTED BASIS AND IS NOT TO BE USED IN ANY WAY DETRIMENTAL TO THE INTERESTS OF PANDUIT CORP.



PANDUIT P/N	WEIGHT
JQ04H600	1.67 LB/10 PCS
JQ04H600BL	758.9 g/10 PCS

NOTES:

1. SEE CURRENT CATALOG FOR ADDITIONAL PART NUMBER SUFFIXES TO INDICATE COLOR AND/OR PACKAGE QUANTITY.
2. SEE CATALOG FOR A COMPLETE LIST OF PARTS APPLICABLE FOR USE WITH THIS PART.
3. DIMENSIONS IN PARENTHESES ARE IN METRIC.
4. BREAKOUTS DESIGNED TO ACCEPT LD5/LDPH5 and LD10/LDPH10 RACEWAY.
5. INCLUDED WITH BOX KIT:
 - a. (1) BOX COVER
 - b. (1) BOX BASE
 - c. (2) PLT1M PAN-TY
 - d. (1) LABEL AND LABEL COVER
 - e. (1) SCREW (USED TO SECURE COVER TO BASE)
 - f. (2) MAGNET (ATTACHED)
 - g. (4) CJH688TG SHUTTERED JACK



PART NUMBER		SEE TABLE	
TITLE			
MINI-COM 4 PORT SHUTTERED CAT 6 SURFACE MOUNT BOX KIT			
CUSTOMER DRAWING			
ITEM REVISION NAME		15M583CV/08	
DATASET FILE NAME		15M583CV_DC08/08A	
UNLESS OTHERWISE SPECIFIED, DIMENSIONAL TOLERANCES ARE: IN (mm)		PANDUIT	
.X ±			
.XX ±		MATERIAL:	
.XXX ±		DRAWING NUMBER:	
ANGLES ±		15M583CV-08	
THIRD ANGLE PROJECTION		SHT 1 OF 2	
DRAWN BY	DATE	CHK	SCALE
TWV	7-19-16	JCO	NONE
REV	DATE	BY	CHK
R	7-19-16	TWV	JCO
APR		MMR	
DESCRIPTION		ECN	
RELEASED TO PRODUCTION		15M583CV-08	

D10100DA/14

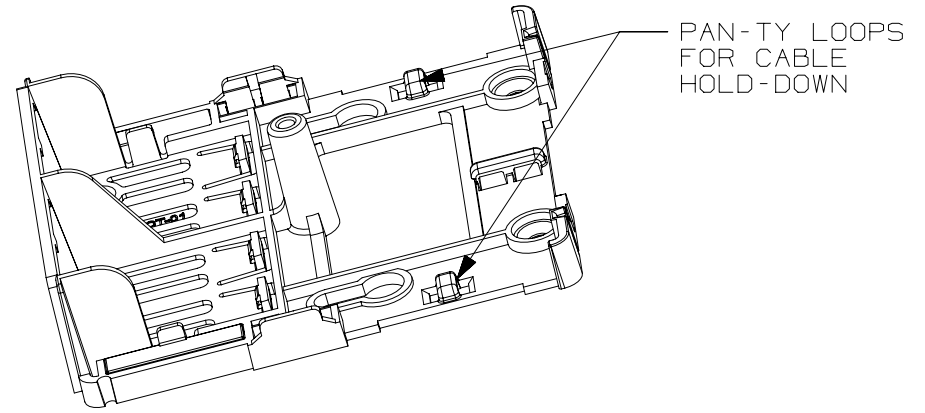
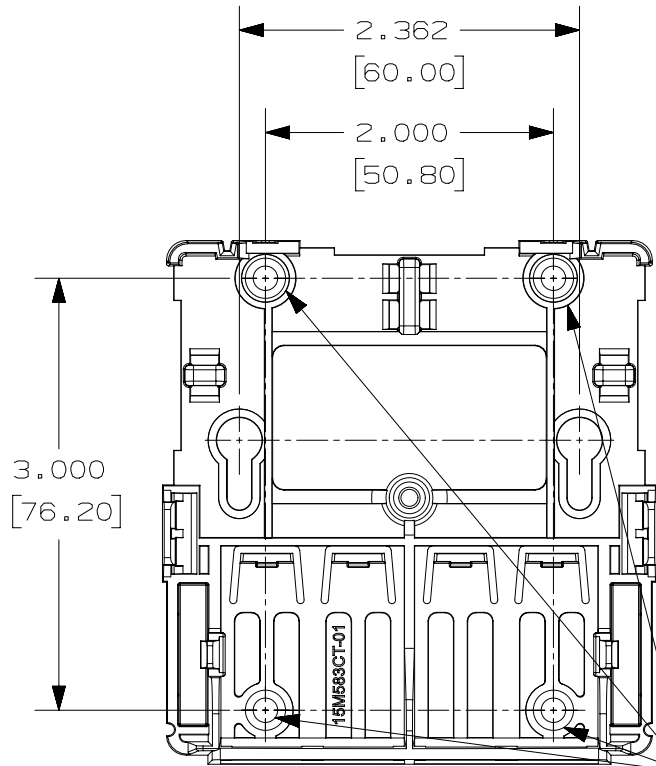
2

1

2

1

THIS COPY IS PROVIDED ON A RESTRICTED BASIS AND IS NOT TO BE USED IN ANY WAY DETRIMENTAL TO THE INTERESTS OF PANDUIT CORP.



MOUNTING HOLES FOR #6 COUNTERSUNK SCREW (NOT INCLUDED)

PART NUMBER		SEE TABLE	
TITLE			
MINI-COM 4 PORT SHUTTERED CAT 6 SURFACE MOUNT BOX KIT		CUSTOMER DRAWING	
ITEM REVISION NAME		15M583CV/08	
DATASET FILE NAME		15M583CV_DC08/08A	
UNLESS OTHERWISE SPECIFIED, DIMENSIONAL TOLERANCES ARE: IN (mm)		MATERIAL:	
.X ±		.XXX ±	
.XX ±		ANGLES ±	
		THIRD ANGLE PROJECTION	
DRAWN BY		DATE	
T WV		7-19-16	
CHK		SCALE	
J CO		NONE	
DRAWING NUMBER:		SHT 2 OF 2	
15M583CV-08		A	

REV	DATE	BY	CHK	APR	DESCRIPTION	ECN
R	7-19-16	T WV	J CO	MMR	SEE SHEET 1 FOR REVISION HISTORY	15M583CV-08

D10100DA/14