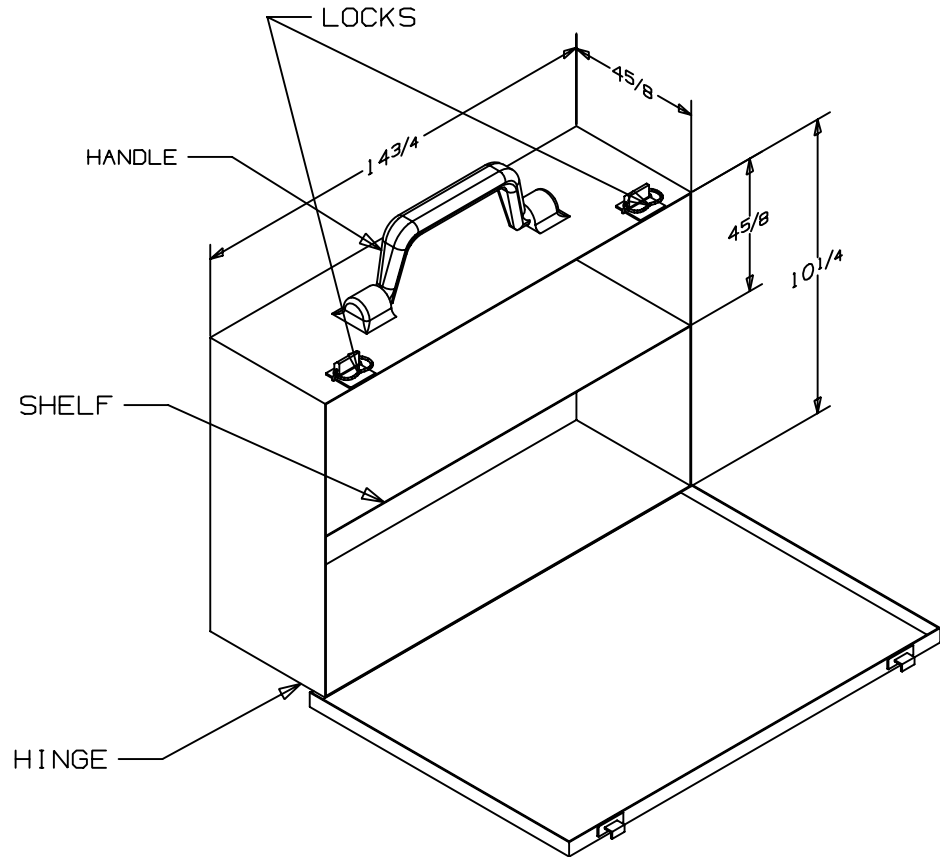


THIS COPY IS PROVIDED ON A RESTRICTED BASIS AND IS NOT TO BE USED IN ANY WAY DETRIMENTAL TO THE INTERESTS OF PANDUIT CORP.



NOTES:

1. MAT'L: 24 GAGE STEEL, WELDED CONSTRUCTION.
2. COLOR: POWDER COATED RED FINISH WITH BLACK AND WHITE LEGENDS.
3. DIMENSIONS SHOWN ARE INSIDE DIMENSIONS.
4. CABINET MAY BE WALL MOUNTED VIA TWO (2) KEY SLOTS ON BACK OF CABINET.

CAD FILENAME/LAYERS 100619YA\_C10114\_PSL-STATION\_00.prt

REV	DATE	BY	CHK	DESCRIPTION	ECN	R	CUST	SUP
1	9-30-03	RVU		CHANGED DWG. NO. TO C10114.	3429	R		
R	2/4/98	RVU		DRAWING RELEASE	1012	R		

<h1>PANDUIT</h1> <p>CORP. TINLEY PARK, ILLINOIS</p> <h2>LOCKOUT/TAGOUT STATION CABINET</h2>	
UNLESS OTHERWISE SPECIFIED, DIMENSIONAL TOLERANCES ARE: (.X) ± × (.XXX) ± × (.XX) ± × ANGLES ± ×	UNLESS OTHERWISE SPECIFIED, ALL DIMENSIONS ARE GIVEN IN INCHES, THIRD ANGLE PROJECTION.
DRAWN BY RVU DATE 2/4/98 CHK'D	MAT'L; SEE NOTE 1. SCALE NTS DRAWING NO. C10114 DWG A SIZE