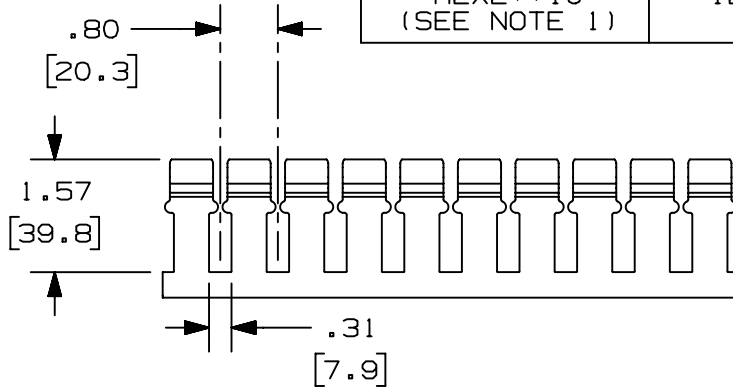


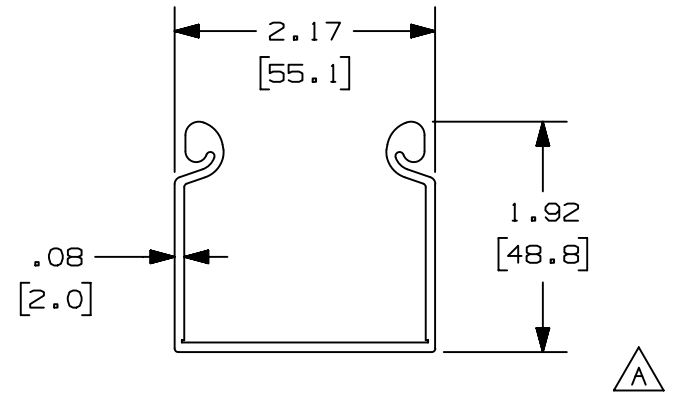
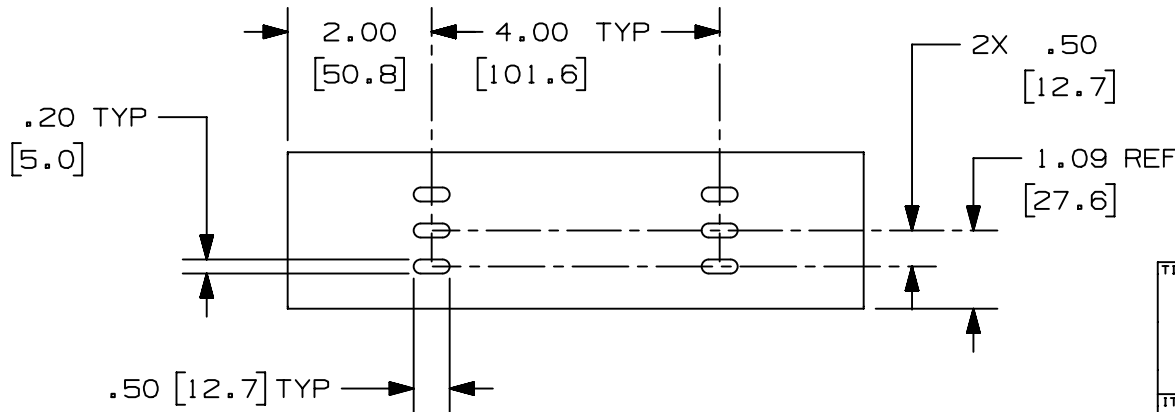
THIS COPY IS PROVIDED ON A RESTRICTED BASIS AND IS NOT TO BE USED IN ANY WAY DETRIMENTAL TO THE INTERESTS OF PANDUIT CORP.

| PANDUIT PART NUMBER | LENGTH | WEIGHT | WEIGHT/LENGTH |
|--------------------------|---------------------------------------|--------------------|-------------------------|
| H2X2**2 (SEE NOTE 1) | 78.74 IN ±.18 IN (2000.0mm ±4.6mm) | 1.97 LB (894g) | 0.30 LB/FT (4.5g/cm) |
| H2X2**6 (SEE NOTE 1) | 72.00 IN ±.18 IN (1828.8mm ±4.6mm) | 1.80 LB (816g) | 0.30 LB/FT (4.5g/cm) |
| H2X2**3 (SEE NOTE 1) | 118.11 IN ±.18 IN (3000mm ±4.6mm) | 2.95 LB (1337g) | 0.30 LB/FT (4.5g/cm) |
| H2X2**10 (SEE NOTE 1) | 120.00 IN ±.18 IN (3048mm ±4.6mm) | 3.00 LB (1359g) | 0.30 LB/FT (4.5g/cm) |



NOTES:

1. SEE CURRENT CATALOG FOR ADDITIONAL PART SUFFIXES TO INDICATE COLOR AND/OR PACKAGE QUANTITY.
2. DIMENSIONS IN PARENTHESES ARE IN METRIC.



| | | | |
|--|-------------------------|------------------------------------|----------------------|
| TITLE FIBERRUNNER 2X2 HINGED SLOTTED CHANNEL H2X2**2, H2X2**6, H2X2**3, H2X2**10 | | CUSTOMER DRAWING | |
| ITEM REVISION NAME D38258CJ/00 | | PANDUIT | |
| DATASET FILE NAME D38258CJ_DC_H2X2/00C | | | |
| UNLESS OTHERWISE SPECIFIED, DIMENSIONAL TOLERANCES ARE: IN [mm] | | MATERIAL: PVC | |
| .X ± .XXX ± .XX ± .03 [.8] ANGLES ± | | DRAWING NUMBER: 38258-25 | |
| THIRD ANGLE PROJECTION | | SHT 1 OF 1 | |
| DRAWN BY MSO | DATE 01-08-07 | CHK RN | SCALE NONE |
| DESCRIPTION | | ECN | SIZE A |

| REV | DATE | BY | CHK | APR | DESCRIPTION | ECN |
|-----|-----------|-----|------|------|---|-------------|
| 2 | 5/11/2021 | MES | PATR | PATR | ADDED PART NUMBERS H2X2**3, H2X2**10 | V09002MM/00 |
| 1 | 05-03-13 | JBN | RTFI | RN | A. UPDATED DRAWING BORDER & TITLE BLOCK | 38258-25 |
| R | 01-08-07 | MSO | RN | RN | RELEASED TO PRODUCTION | 38258-25 |

D10100DA/15