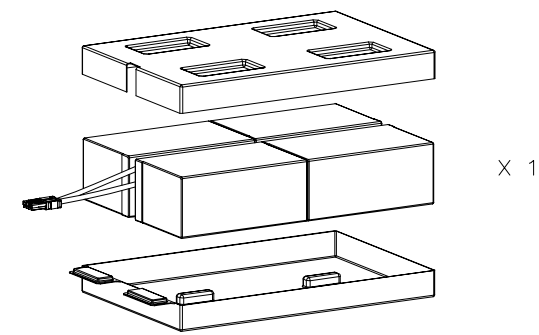
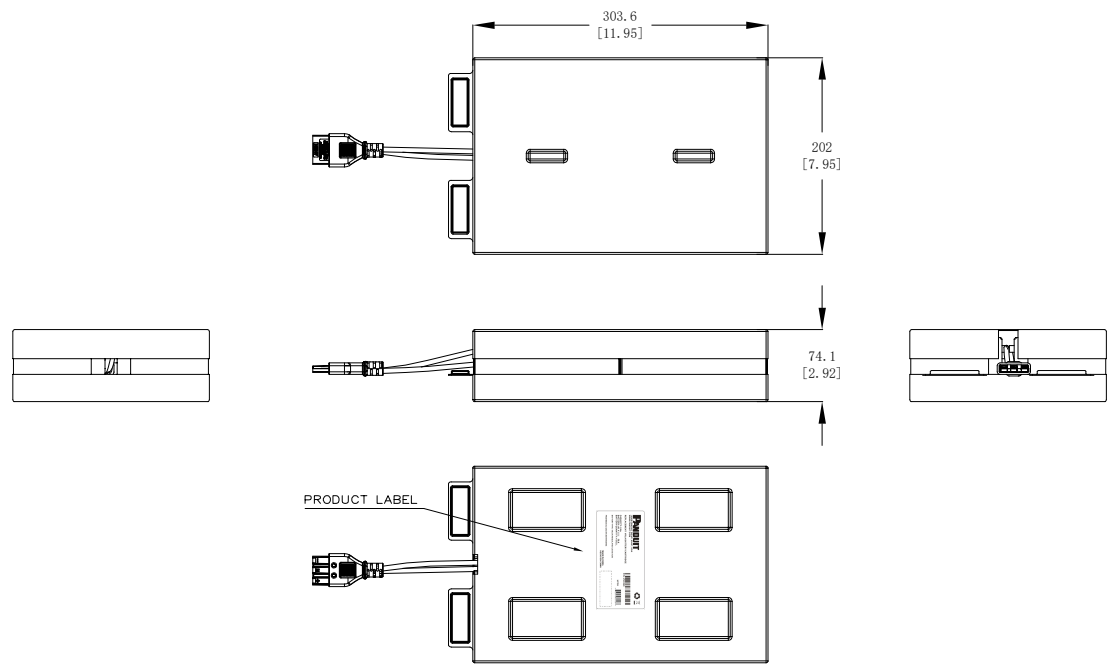


THIS COPY IS PROVIDED ON A RESTRICTED BASIS AND IS NOT TO BE USED IN ANY WAY DETRIMENTAL TO THE INTERESTS OF PANDUIT CORP.

1. STANDARD:
 - USE WITH UPS CAPACITY: 48V REPLACEMENT VRLA BATTERY CARTRIDGE FOR 2KVA UPS ONLY
 - BATTERY TYPE: VALVE REGULATED LEAD ACID-NON SPILLABLE
 - NOMINAL INPUT/OUTPUT VOLTAGE: 48VDC
 - BREAKER TYPE: N/A
 - WEIGHT OF Pb(LEAD): 6.8KG
 - WEIGHT OF H2SO4(SULFURIC ACID): 1.6KG
2. ADDITIONAL:
 - NONE
3. ACCESSORY COMPONENTS:
 - NONE

- NOTES:
1. PRIMARY DIMENSIONS ARE IN MILLIMETERS. SECONDARY DIMENSIONS ARE IN INCHES
 2. INSTALLATION SHALL COMPLY WITH ALL APPLICABLE NATIONAL, STATE, AND LOCAL CODES
 3. VISIT OUR ON-LINE CATALOG AT WWW.PANDUIT.COM FOR A CURRENT LIST OF PRODUCTS APPLICABLE FOR USE WITH THIS PART
 4. ALL PURCHASED ITEMS CONFORM TO C2-0834 PANDUIT SPECIFICATION FOR CHEMICAL SUBSTANCES TO BE CONTROLLED IN PRODUCT AND PACKAGING

IDENTIFICATION:		
PART NUMBER	DESCRIPTION	SHIPPING WEIGHT (KG)
UVC048	48V REPLACEMENT LEAD ACID BATTERY CARTRIDGE 2KVA LEAD ACID UPS	11.39



REV	DATE	BY	CHK	APR	DESCRIPTION	ECN
01A	03/10/2022	D.L.	ZKZ	GLM/D.B	UPDATED DESCRIPTION	UVC048
00A	03/10/2022	D.L.	ZKZ	GLM/D.B	RELEASE TO PRODUCTION	UVC048
REV	DATE	BY	CHK	APR	DESCRIPTION	ECN

WE ASSURE THAT THIS SPECIFICATION MEETS THE CLIENT'S REQUIREMENTS AND THAT THE CLIENT HAS APPROVED THIS SPECIFICATION.	
SMARTZONE UPS VRLA BATTERY CARTRIDGE UVC048	CUSTOMER DRAWING
UVC048/01	UVC048-DC/D1A
UNLESS OTHERWISE SPECIFIED, DIMENSIONAL TOLERANCES ARE AS FOLLOWS:	N/A
THIRD ANGLE PROJECTION	UVC048-DC
03/10/2022	SHT 1 OF 2

THIS COPY IS PROVIDED ON A RESTRICTED BASIS AND IS NOT TO BE USED IN ANY WAY DETRIMENTAL TO THE INTERESTS OF PANDUIT CORP.

PANDUIT

18900 PANDUIT DRIVE, 60487, USA
WWW.PANDUIT.COM

REPLACEMENT VRLA BATTERY CARTRIDGE

CAPACITY: 9 Ah
BATTERY: 48 V \pm 50 A
BATTERY QUANTITY: 4 CELL

BATTERY TYPE: VALVE REGULATED LEAD ACID

PROHIBIDO SU USO EN EXTERIORES

MADE IN CHINA
HECHO EN CHINA

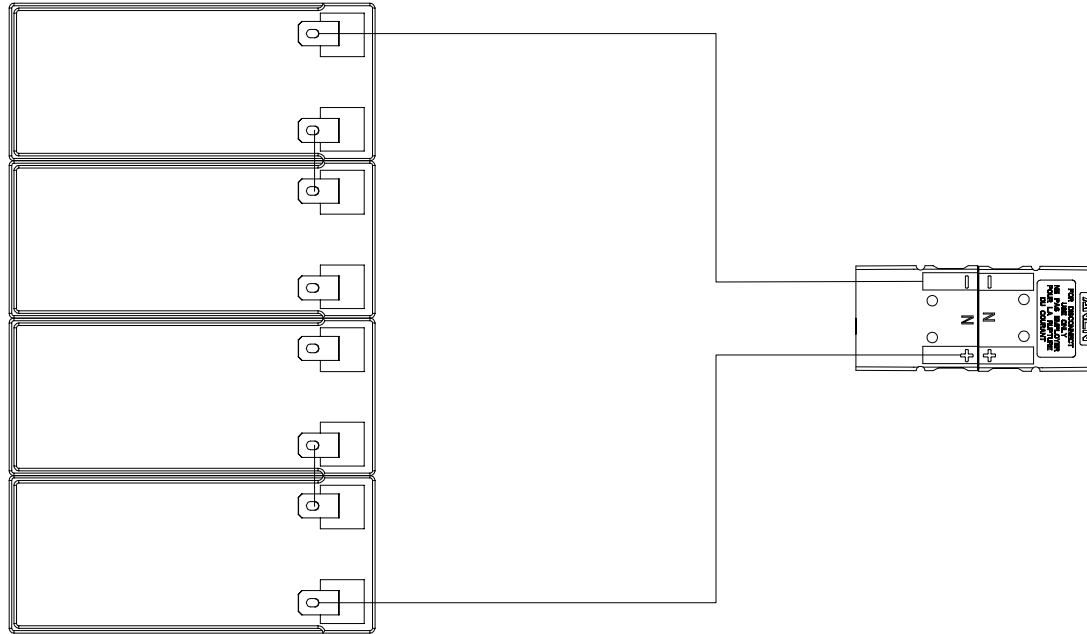


P/N: UVC048

UPC#



BATTERY CARTRIDGE FOR 2KVA
48VDC UPS ONLY



LEGEND

SYMBOL	DESCRIPTION	SYMBOL	DESCRIPTION	SYMBOL	DESCRIPTION
	CIRCUIT BREAKER		AC-DC CONVERTER		SA IP
	RELAY		DC-DC CONVERTER		MS DU
	OR (CIRCUIT BREAKER)		BATTERY SYMBOL		FUSE
	DC-DC CONVERTER		BATTERY UNIT		

BE AWARE THAT YOU CHECK ONLY THE QUALITY OF THE PRODUCT AND NOT THE PROCESSING METHOD. THE USER SHALL NOT BE RESPONSIBLE FOR ANY DEFECTS OR DAMAGES CAUSED BY THE USER'S IMPROPER USE OF THE PRODUCT.

REV	DATE	BY	CHK	APR	DESCRIPTION	ECN
01A	03/10/2022	D.A.	ZRZ	GLM/DJB	UPDATED DESCRIPTION	UVC048
00A	03/10/2022	D.A.	ZRZ	GLM/DJB	RELEASE TO PRODUCTION	UVC048

SMARTZONE UPS VRLA BATTERY CARTRIDGE UVC048 CUSTOMER DRAWING		UNLESS OTHERWISE SPECIFIED DIMENSIONAL TOLERANCES ARE IN (IN)
PANDUIT BRAND NUMBER: UVC048-DC	N/A	THIRD ANGLE PROJECTION
DRAWN BY: M.D. DATE: 03/16/2022	CHECKED BY: M.D. DATE: 03/16/2022	TITLE: VARIOUS SHEET: 1 OF 2