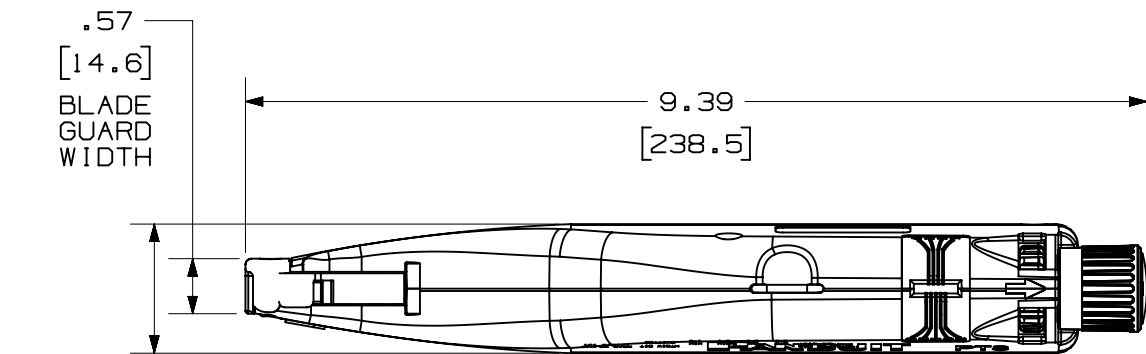


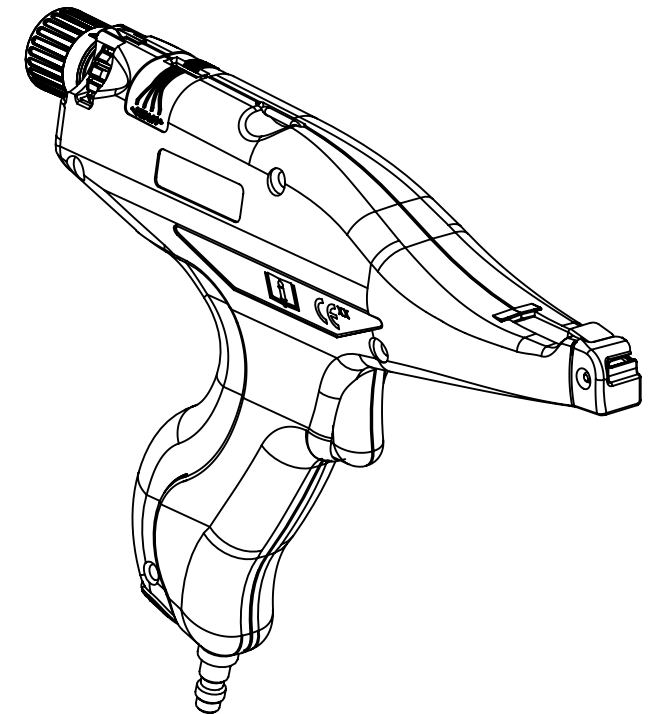
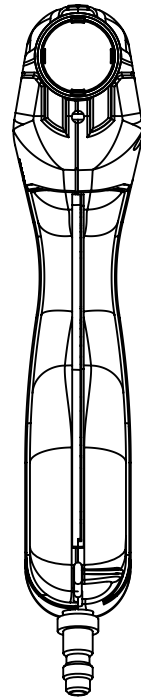
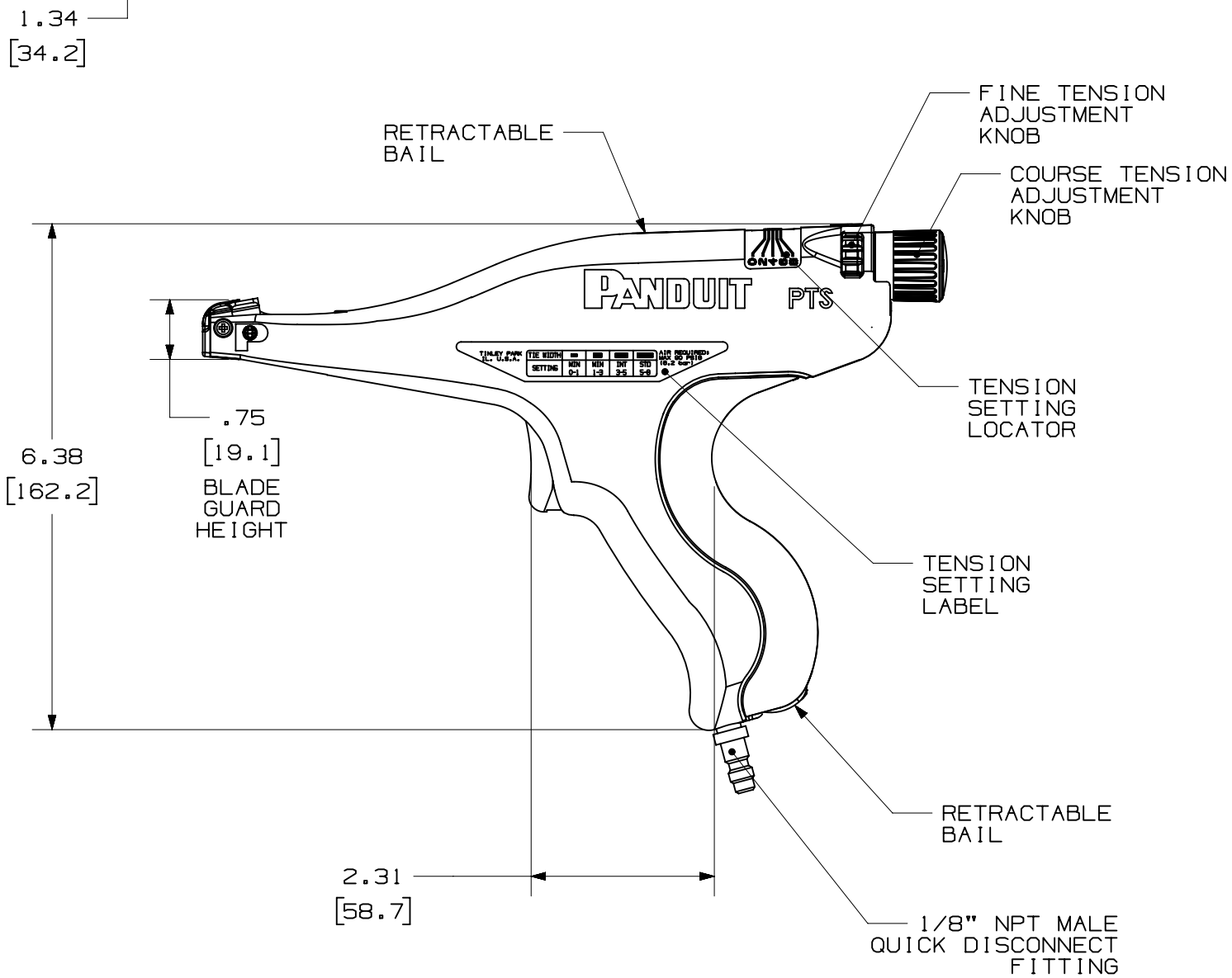
THIS COPY IS PROVIDED ON A RESTRICTED BASIS AND IS NOT TO BE USED IN ANY WAY DETRIMENTAL TO THE INTERESTS OF PANDUIT CORP.



ACCESSORIES (SOLD SEPARATELY)	
DESCRIPTION	PANDUIT PART NUMBER
BLADE REPLACEMENT KIT	KGTSBLD
TENSION LOCKING KIT	KPTSTL
HOSE ASSEMBLY (WITH FITTINGS)	PPH10
FILTER/REGULATOR	PL289N1
BLADE GUARD (INCLUDED W/TOOL)	WB27359D01
EXTENDED BLADE GUARD (3mm THICK)	BG3GTS-E

NOTES, UNLESS OTHERWISE SPECIFIED:

- ALL MATERIALS AND COMPONENTS USED MEET THE MATERIAL RESTRICTIONS OF RoHS (EUROPEAN DIRECTIVE 2011/65/EU ON THE RESTRICTION OF HAZARDOUS SUBSTANCES) AS PROPOSED BY THE RoHS TECHNICAL ADAPTATION COMMITTEE.
- CABLE TIE CROSS-SECTION USED:
SM = SUBMINIATURE
M = MINIATURE
I = INTERMEDIATE
S = STANDARD
- THIS PNEUMATIC TOOL TIGHTENS CABLE TIES AND CUTS OFF EXCESS PORTION WHEN PRESET TENSION IS ATTAINED.
- TOOL WEIGHT:
17.3 OZ. (490 GRAMS)
- PNEUMATIC REQUIREMENTS:
70 - 90 PSIG.
FILTERED, NON-LUBRICATED AIR
EXTERNAL PNEUMATIC HOSE
- SEE WWW.PANDUIT.COM FOR MORE INFORMATION



REV	DATE	BY	CHK	APR	DESCRIPTION	ECN
05A	05-03-23	BDK	JADE	DJSL	B: "BLADE GUARD (INCLUDED WITH TOOL)" WB27359D01 WAS WB24468D01; ADDED "EXTENDED BLADE GUARD (3mm THICK)" BG3GTS-E A: REVISED AND REDRAWN; IMPORTED TO TEAMCENTER DRAWING WAS WORD DOCUMENT BY BLR ON NETWORK DRIVE	130577 r00

TITLE		PTS Customer Drawing	
ITEM REVISION NAME		CUSTOMER DRAWING	
DATASET FILE NAME		03245NBC/05	
		03245NBC_DC/05A	
MATERIAL		THIRD ANGLE PROJECTION	
N/A		WB24652A01	
DRAWN BY	DATE	CHK	SCALE
BDK	05-03-23	JADE	NONE
SHEET 1 OF 1			SIZE
			B

B-SIZE CUSTOMER