



FOR USE WITH PANDUIT® SURFACE RACEWAY ROUTING SYSTEM

Power Source Junction Box

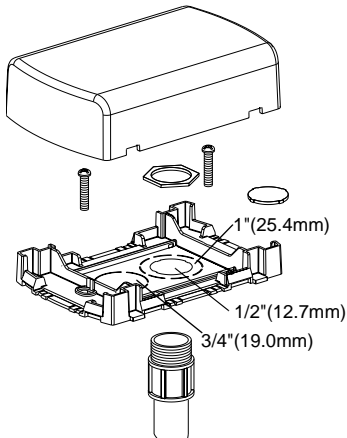
Part No.: PSJBX

INSTALLATION INSTRUCTIONS

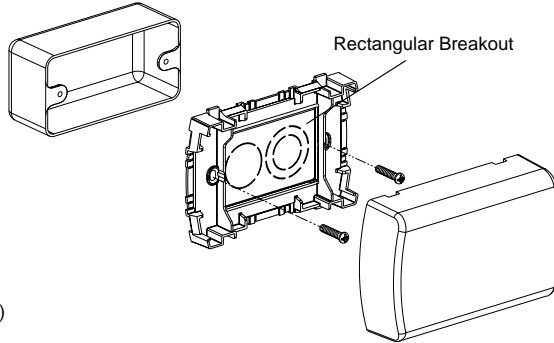
©Panduit Corp. 1997

Made in U.S.A.

Conduit Application

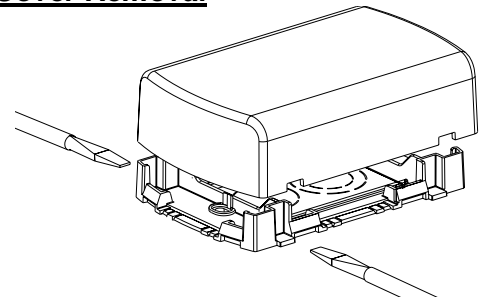


In-Wall Application

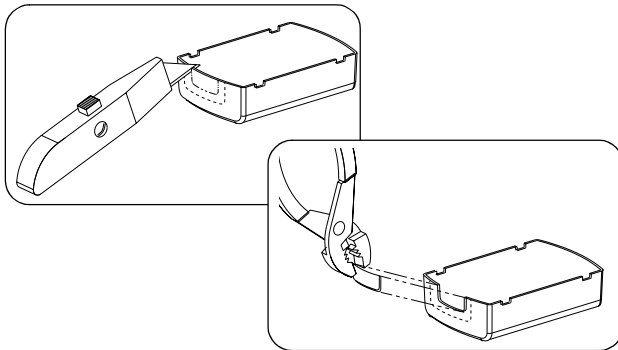


The mounting hardware used to secure the raceway shall be appropriate for the mounting surface.

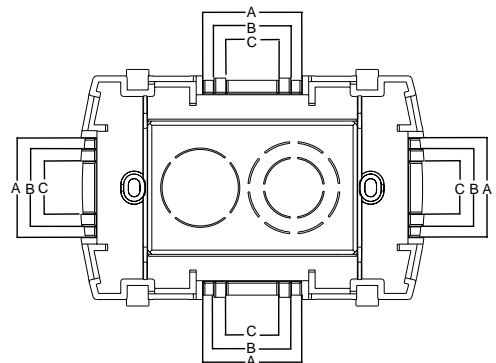
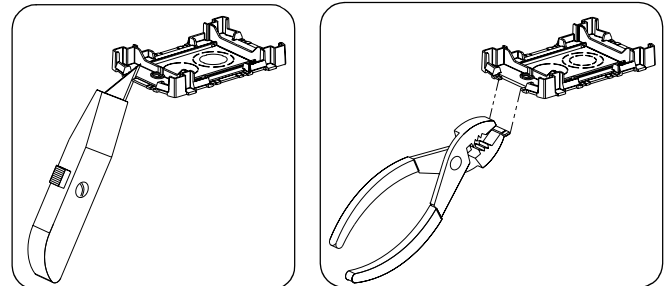
Cover Removal



Cover Breakouts



Base Breakouts



COVER BREAKOUTS	RACEWAY	ADAPTERS
X	LDP10	N/A
Y	LDS5, LDP5	N/A
Z	LDS3, LDP3	N/A

BASE BREAKOUTS	RACEWAY
A	LDP10
B	LDP5, LDS5
C	LDP3, LDS3

Raceway to exit from box in 2 locations only.



17301 Ridgeland Avenue
Tinley Park, IL 60477-3091
Phone: 800-777-3300, Ext. 8287
FAX: 815-836-1811
WORLDWIDE SUBSIDIARIES AND SALES OFFICES

For Technical Assistance, call: 800-777-3300, Ext. 8287

Instruction Sheet PN66