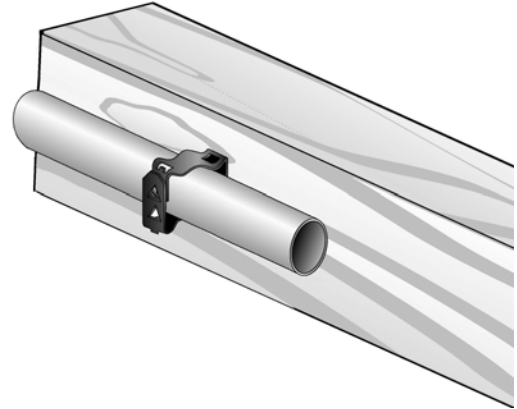
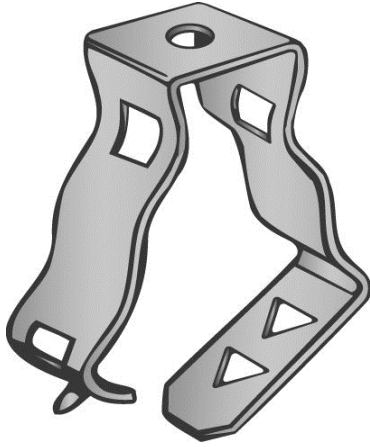


Part Number: P16M

Product Description: SNAP CLOSE CONDUIT CLIP FOR 1" CONDUIT WITH PLAIN MOUNTING HOLE



Material Specifications

Type: High Carbon Steel, Spring Tempered

Finish: Zinc Phosphate and Oil

Color: Black

Function Specifications

Compatible Wires and Cables

AC/MC CABLE (OD):
Drop Wire:
Plain Rod (in):

Threaded Rods and Bolts

Tapped Holes:
Clearance Holes (in): 1/4
Threaded Rod Size (in):

Compatible Conduit

EMT Size (in): 1
Rigid/IMC (in): 1

Compatible Flanges and Studs

Flange Size (in):
Metal Stud Size (ins):

Static Load Rating

Vertical (lbs): 100
Horizontal (lbs): 25

Other

Codes and Regulatory

Regulatory Certifications: UL/cUL

Country of Origin: US

Packaging

General Packaging: Cardboard Box
Box Size: 8.25 X 7.25 X 5.75

Pieces per Package: 100
Other Box Features:

Document Information

Created By: DBLA
Checked By: DJW
Approved By: KLN

Customer Specification #: C11238
Revision Level: 01
ECN #: GAECN01482
Date: 12/10/2013