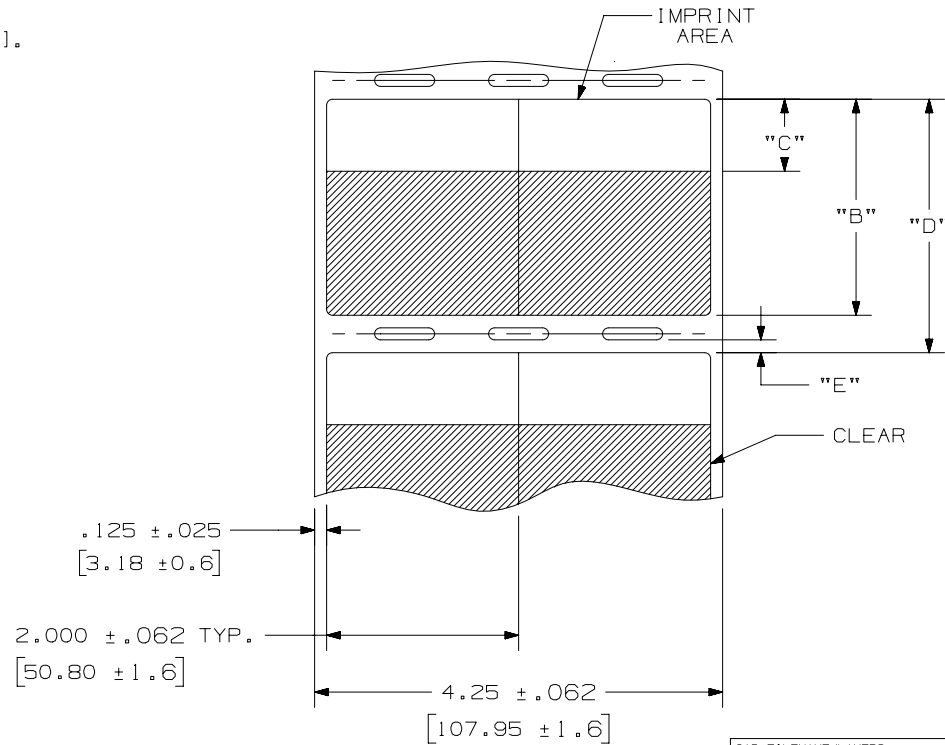


THIS COPY IS PROVIDED ON A RESTRICTED BASIS AND IS NOT TO BE USED IN ANY WAY DETRIMENTAL TO THE INTERESTS OF PANDUIT CORP.

PART NUMBER	MATERIAL	"B" HEIGHT +/- .062	IMPRINT AREA "C" +/- .062	VERTICAL REPEAT "D" +/- .062	"E" +/- .025	LABELS PER ROW	STANDARD PKG. QTY.
S200X225VA1Y	GMV17 OR GMV18	2.25 [ 57.2 ]	0.75 [ 19.1 ]	2.50 [ 63.5 ]	0.063 [ 1.60 ]	2	500
S200X400VA1Y		4.00 [ 101.6 ]	1.00 [ 25.4 ]	4.25 [ 108.0 ]			
S200X650VA1Y		6.50 [ 165.1 ]	1.50 [ 38.1 ] +/- .10	6.75 [ 171.5 ]			

NOTES:  
1. MILLIMETERS ARE IN [ ].



CAD FILENAME/LAYERS 100472BR-DC-C10193/06A

PANDUIT CORP. TINLEY PARK, ILLINOIS

CUSTOMER DRAWING  
OPTIMUM SELF-LAM. S200X\*\*\*VA1Y  
THERMAL TRANSFER PRINTABLE LABELS

UNLESS OTHERWISE SPECIFIED,  
DIMENSIONAL TOLERANCES ARE:  
(.X) ± .12 (.XXX) ± .025  
(.XX) ± .062 ANGLES ±

UNLESS OTHERWISE SPECIFIED,  
ALL DIMENSIONS ARE GIVEN  
IN INCHES, THIRD ANGLE PROJECTION.

DRAWN BY  
RVU

MAT'L:

SCALE NTS

DATE  
9-22-04

SEE TABLE

DRAWING NO.

C10193

DWG  
A  
SIZE

CHK'D

REV	DATE	BY	CHK	DESCRIPTION	ECN	R	CUST	SUP
5	8/5/22	JEFP	DAPE	CHANGED MATERIAL TO GMV17 OR GMV18	GAECN06570	R		
4	7/7/22	JEFP	DAPE	CHANGED MATERIAL TO GMV18	GAECN06545	R		
3	10/25/11	RVU		"GMV16 OR GMV17" WAS "GMV16".	6548	R		
2	12/10/09	RVU		OBS. PN: S200X***VA1 AND S200X400TA1. UPDATE ALL STANDARD TOLERANCES EXCEPT 1.50 +/- .10.	5925	R		
1	1-8-07	RVU		REVISED TOLERANCES.	4830	R		
0	9-11-06	RVU		DRAWING RELEASE.	4671	R		