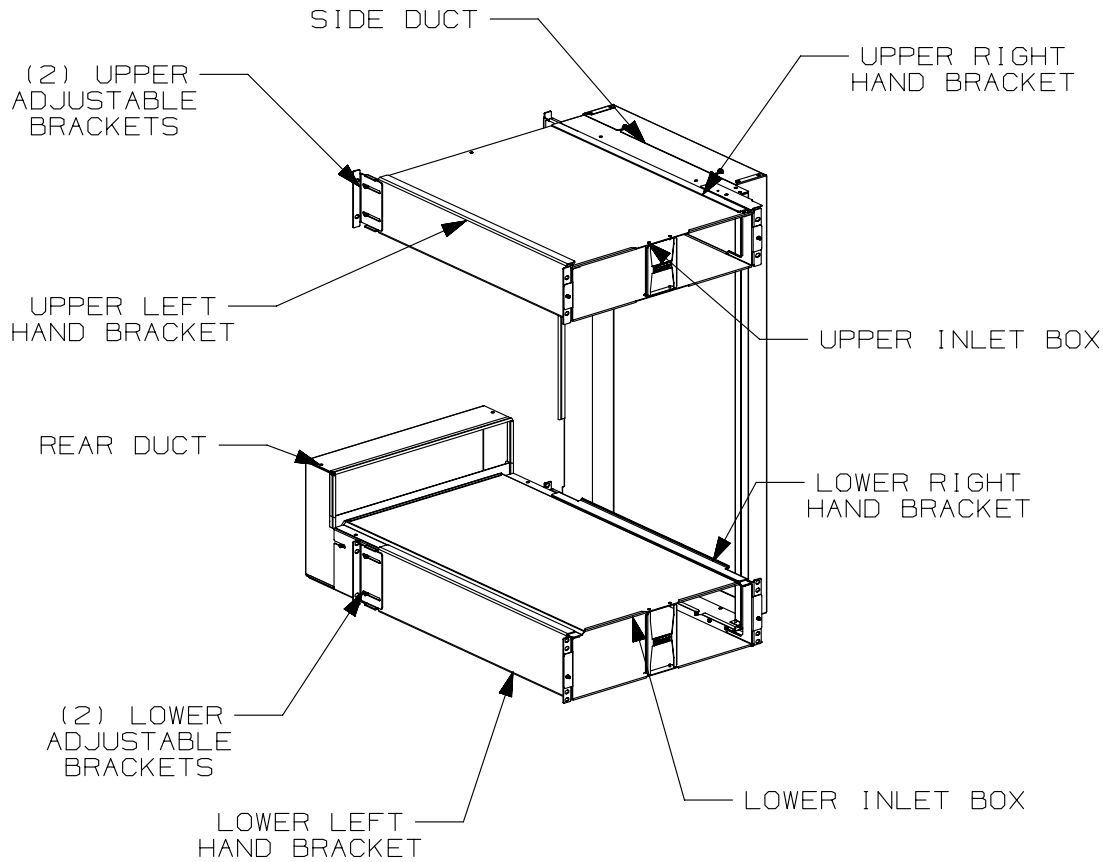


THIS COPY IS PROVIDED ON A RESTRICTED BASIS AND IS NOT TO BE USED IN ANY WAY DETRIMENTAL TO THE INTERESTS OF PANDUIT CORP.

PANDUIT PART NO.	WEIGHT
DIBBC2314S21W	29.89 Kgs/EA 65.89 LBS/EA



NOTES:

- VISIT OUR ONLINE CATALOG AT WWW.PANDUIT.COM FOR A LIST OF CURRENT PARTS APPLICABLE FOR USE WITH THIS PRODUCT.
- PRIMARY DIMENSIONS ARE IN MILLIMETERS (mm). DIMENSIONS IN PARENTHESES ARE IN INCHES(IN).
- INLET DUCT TO BE USED WITH CISCO 9513
- PARTS SUPPLIED:
 - (1) SIDE DUCT
 - (1) REAR DUCT
 - (1) UPPER INLET DUCT
 - (1) LOWER INLET DUCT
 - (1) UPPER RIGHT HAND BRACKET
 - (1) LOWER RIGHT HAND BRACKET
 - (1) UPPER LEFT HAND BRACKET
 - (1) LOWER LEFT HAND BRACKET
 - (2) UPPER ADJUSTABLE BRACKETS
 - (2) LOWER ADJUSTABLE BRACKETS
 - (1) HARDWARE KIT

TITLE		INLET DUCT FOR CISCO 9513 SWITCH (DIBBC2314S21W)		
		CUSTOMER DRAWING		
ITEM REVISION NAME		10V168YZ/02		
DATASET FILE NAME		10V168YZ_DC/02A		
MATERIAL:		N/A		
DRAWING NUMBER:		10V168YZ		
REV	DATE	BY	CHK	APR
02A	07/18/13	PJST		RELEASED
DRAWN BY		DATE	CHK	SCALE
PJST		08/01/12		N/A
DESCRIPTION		ECN	SHT 1 OF 3	
			A	

D10100DA/12

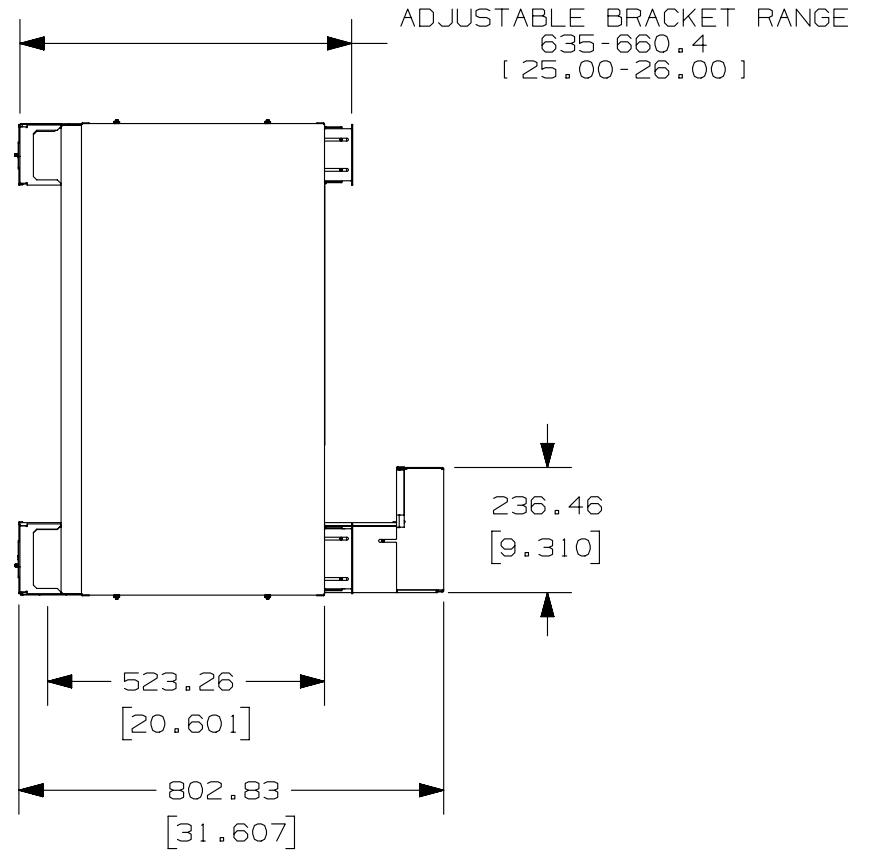
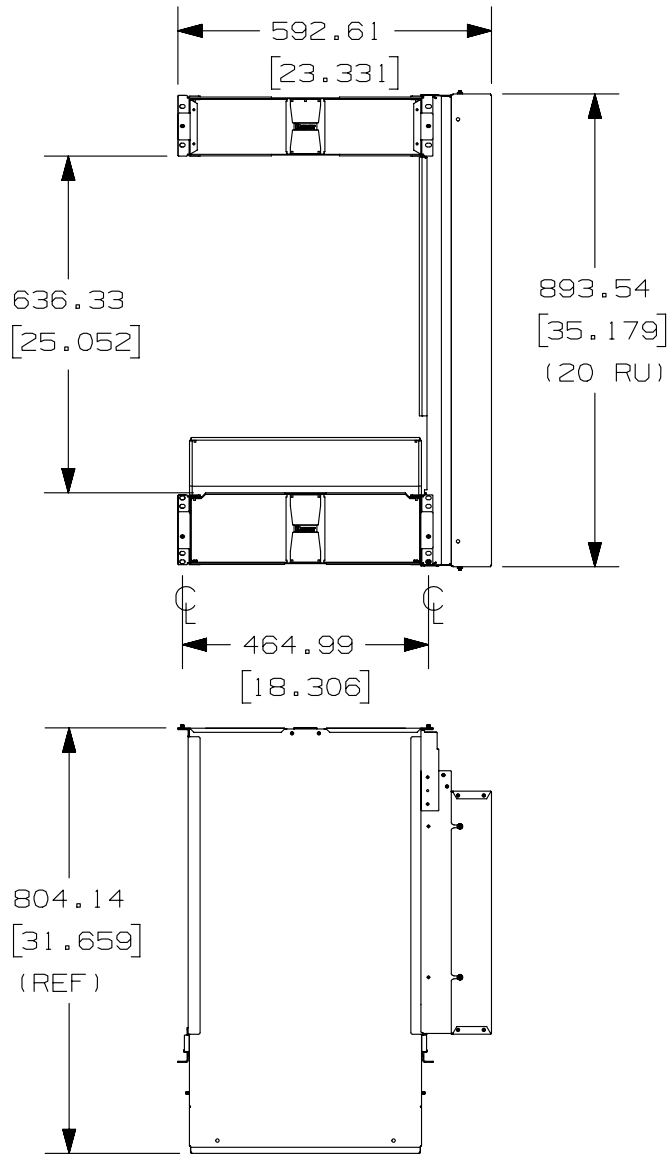
2

1

2

1

THIS COPY IS PROVIDED ON A RESTRICTED BASIS AND IS NOT TO BE USED IN ANY WAY DETRIMENTAL TO THE INTERESTS OF PANDUIT CORP.



TITLE		INLET DUCT FOR CISCO 9513 SWITCH (DIBBC2314S21W) CUSTOMER DRAWING		
ITEM REVISION NAME		10V168YZ/02		
DATASET FILE NAME		10V168YZ_DC/02A		
MATERIAL:		N/A		
DRAWING NUMBER:		10V168YZ		
DRAWN BY	DATE	CHK	SCALE	SIZE
PJST	08/01/12		N/A	A
SHT 2 OF 3				

02A	07/18/13	PJST			RELEASED	10V168YZ
REV	DATE	BY	CHK	APR	DESCRIPTION	ECN

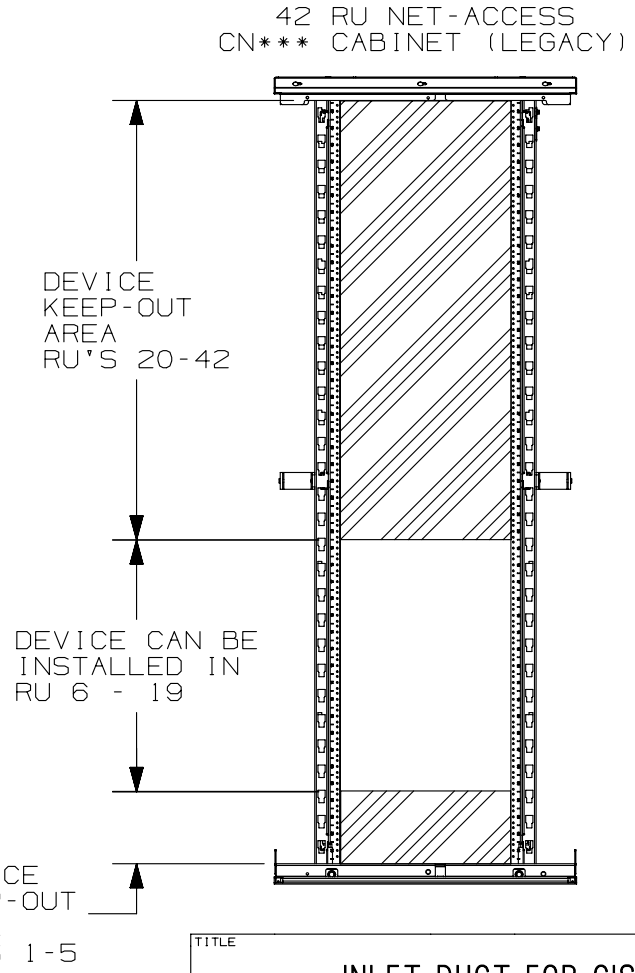
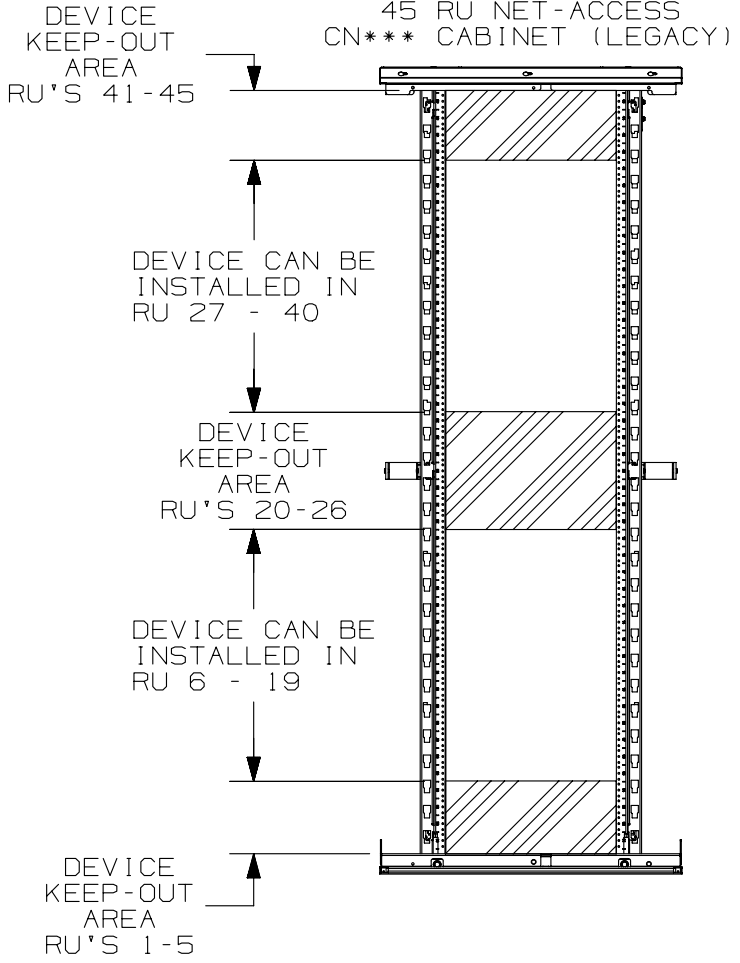
D10100DA/12

2

1

THIS COPY IS PROVIDED ON A RESTRICTED BASIS AND IS NOT TO BE USED IN ANY WAY DETRIMENTAL TO THE INTERESTS OF PANDUIT CORP.

DUE TO PHYSICAL CONSTRAINTS POSED BY FRONT-TO-BACK FRAME BEAMS ON THE LEGACY NET-ACCESS CABINET, THERE ARE CERTAIN AREAS OF THE CABINET THAT THE DEVICE CANNOT BE MOUNTED WHEN USED IN CONJUNCTION WITH THIS INLET DUCT.



FOR NEW NET-ACCESS SWITCH CABINETS (N***), THERE ARE NO DEVICE KEEP-OUT AREAS. THE ONLY RESTRICTION ON DEVICE PLACEMENT IS THAT 3 RU MUST BE LEFT OPEN ABOVE AND BELOW THE SWITCH.

NOTE: NUMBERS-UP RU NUMBERING (#1 AT BOTTOM) ASSUMED

TITLE		INLET DUCT FOR CISCO 9513 SWITCH (DIBBC2314S21W)		
ITEM REVISION NAME		CUSTOMER DRAWING		
10V168YZ/02		PANDUIT		
DATASET FILE NAME				
10V168YZ_DC/02A		MATERIAL:		
		N/A		
		DRAWING NUMBER:		
		10V168YZ		
DRAWN BY	DATE	CHK	SCALE	SIZE
PJST	07/18/13		N/A	A
SHT 3 OF 3				

02A	07/18/13	PJST		RELEASED	10V168YZ	
REV	DATE	BY	CHK	APR	DESCRIPTION	ECN

2

1

D10100DA/16