

SmartZone™ UPS Intelligent Network Management Card

overview

The Panduit® SmartZone™ Intelligent Network Management Card provides secure remote access for managing and controlling the UPS. The network communications card provides ethernet connectivity to the UPS ecosystem. It also provides the interface to support Panduit environmental sensors.

The card provides more than just simple network connectivity. The NMC can integrate UPS and Smart Load (Server) shutdown management solution. Its integrated smart shutdown technology allows shutdown of loads based on priority. Low priority loads may be safely shutdown immediately leaving more uptime for critical servers.



key features and benefits

Network Card Function	UNCP01
Catalog Number	
UPS Slot Type	Micro-Slot
UPS Supported	All Panduit® Models
Protocol Support	IP V4/V6, Auto negotiation, HTTP, HTTPS Secure Ciphers, RESTful API, TLS 1.2, SNMP V1/V3, NTP, SMTP(S), DHCP, CLI/SSH, LDAP(S), RADIUS
Security Features	Secure Boot with Root of Trust, Encrypted Flash, Secure Key Storage, Secure Erase, Role-based Authentication
User Login Verification	Remote User Mgmt via Secure LDAP & RADIUS Server
Certification	PEN Security Certified with Crypto Accelerator
Web Browser Support	Chrome, Edge, Firefox, and Safari
Network Support	10/100/1000 BaseT (Serial #A2ET786 or higher)
Hardware Ports	Ethernet, RS-485 and microUPS ports
Alerting	Events Reporting via SNMP, Traps, Emails & Syslog
Shutdown	Programmable load-shed & graceful shutdown
Environmental Monitoring	Panduit® SmartZone™ G5 PDU Temperature and Humidity Sensors (EA001, EB001, EC001)
Security Monitoring	Panduit® SmartZone™ G5 PDU Security Contact Switch (ACC01)
Software Support	SmartZone™ mPower, SmartZone™ Cloud, any SNMPv3 compliant Data Center Infrastructure Management (DCIM) system
Supported MIB	MIB II – Standard IETF UPS MID (RFC 1628) and Panduit® UPS MIB
O/S Supported for Shutdown	Linux, Windows 10, Windows Server 2022
Local Language Support	English, French, German, and Spanish
Regulatory	Same as UPS
Diagnostics	Automatic & On-Demand Battery Self Test
Firmware Upgrade	Via microUSB, WebGUI & Ethernet Port
Wireless	WiFi & Wireless Bluetooth capable with future firmware upgrade
Management	Embedded Quick Connect for easy SmartZone™ Cloud Connectivity with future firmware upgrade
Analytics	Battery Predictive Failure & Lifespan Reporting with future firmware upgrade

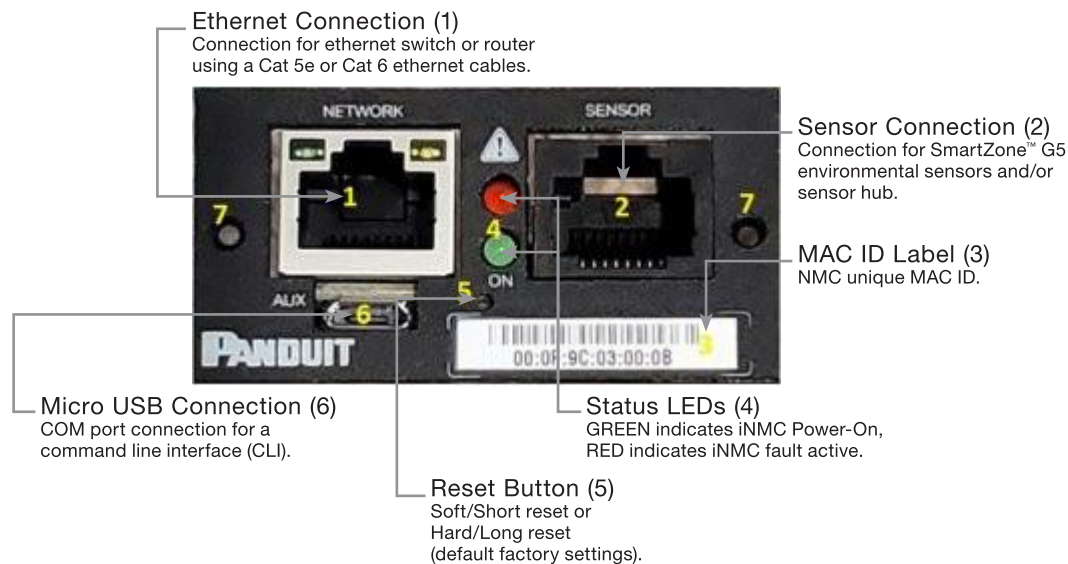
For a copy of Panduit® product warranties, log on to www.panduit.com/warranty.
For more information visit us at www.panduit.com.

electrical specifications

Power Input:	10-13 VDC
Current Consumption:	500 mA max

general specifications

Communication Ports:	RJ-45, RS-485
Bluetooth Range:	TBD
WiFi Range:	TBD
Ethernet Connector:	Standard Category 5e Cable (100 m)
Temperature Operating:	0°C to 60°C
Temperature Storage:	-20°C to 60°C
Humidity Operating:	10% to 95% RH, non-condensing
Humidity Storage:	5% to 95% RH
Elevation Operating:	0 to 10,000 ft. (0 to 3000 m)
Elevation Storage:	0 to 30,000 ft. (0 to 9144 m)
Dimensions (H x W x D):	28 x 54 x 79mm
Weight:	40 g
Environmental Compliance:	RoHS & REACH



WORLDWIDE SUBSIDIARIES AND SALES OFFICES

PANDUIT US/CANADA
Phone: 800.777.3300

PANDUIT EUROPE LTD.
London, UK
Phone: 44.20.8601.7200

PANDUIT SINGAPORE PTE. LTD.
Republic of Singapore
Phone: 65.6305.7575

PANDUIT JAPAN
Tokyo, Japan
Phone: 81.3.6863.6000

PANDUIT LATIN AMERICA
Guadalajara, Mexico
Phone: 52.33.3777.6000

PANDUIT AUSTRALIA PTY. LTD.
Victoria, Australia
Phone: 61.3.9794.9020

For a copy of Panduit product warranties, log on to www.panduit.com/warranty

PANDUIT®

For more information
Visit us at www.panduit.com
Contact Customer Service by email: cs@panduit.com
or by phone: 800.777.3300

© 2021 Panduit Corp.
ALL RIGHTS RESERVED.
PUSP89--WW-ENG
12/2021