

# NetKey® Modular Patch Panels with Faceplates

## specifications

Modular patch panels shall consist of a metal panel with molded snap-in faceplates which can be front releasable. Patch panels shall accept all NetKey Modules for UTP, fiber, or A/V applications and shall mount to standard 19" racks. Patch panels shall be available in 24 and 48-port standard density. Angled patch panels shall be designed at an optimum angle to help route the cable.



## technical information

<b>Mounting options:</b>	Mounts to standard EIA 19" racks or 23" racks with optional extender brackets
<b>Material:</b>	Stamping is CRS and faceplate is ABS
<b>Packaging:</b>	Packaged with appropriate pre-installed snap-in faceplates, a set of mounting screws (#12-24), and label/label cover where applicable

## key features and benefits

<b>Removable faceplates:</b>	Allow front accessibility to installed modules for easy moves, adds, and changes
<b>Modular:</b>	Accepts all NetKey Modules to mix and match media types in the same panel
<b>Angled design:</b>	Allows cable to flow to each side of the rack and minimizes the need for horizontal cable managers by enabling patch cords to be routed directly into vertical cable managers which leads to increased closet density
<b>Optional label:</b>	Available with and without labels to accommodate various needs
<b>Optional strain relief bars:</b>	Help support and manage cables
<b>Optional filler panels:</b>	Fill unused rack openings to provide a clean and consistent look

## applications

NetKey Modular Patch Panels are ideal for multi-media applications. They accept all NetKey Modules which can be accessed through the front of the panel to snap in and out for easy adjustments. Various styles and port densities available to fit most needs with a labeling feature available on select styles. Angled patch panels are available for applications where rack space is limited. The design allows cable to flow to each side of the rack, minimizing the need for horizontal cable managers and increasing the density of the rack space.

### Patch Panels with Labels

24-port, 1 RU,  
includes six  
NK4MFL labeled  
faceplates: [NKFPL24](#)

48-port, 2 RU,  
includes twelve  
NK4MFL labeled  
faceplates: [NKFPL48](#)

### Patch Panels without Labels

24-port, 1 RU,  
includes six  
NK4MF faceplates: [NKFP24Y](#)

48-port, 2 RU,  
includes twelve  
NK4MF faceplates: [NKFP48Y](#)

### Angled Patch Panels without Labels

24-port, 1 RU,  
includes six  
NK4MF faceplates: [NKFPA24](#)

48-port, 2 RU,  
includes twelve  
NK4MF faceplates: [NKFPA48](#)

### Angled Patch Panel with Labels

24-port, 1 RU,  
includes six NK4MFL  
labeled faceplates: [NKFPAL24](#)

### Strain Relief Bars

**Straight:** [SRBS19BL-XY](#)

**Extended, 2":** [SRB19BLY](#)

**With hook and  
loop ties:** [SRBM19BLY](#)

**With adjustable  
clips:** [SRBWCY](#)

**Deep, 5":** [SRB19D5BL](#)

**Deep, 7":** [SRB19D7BL](#)

**Multi-depth:** [SRB19MDBL](#)

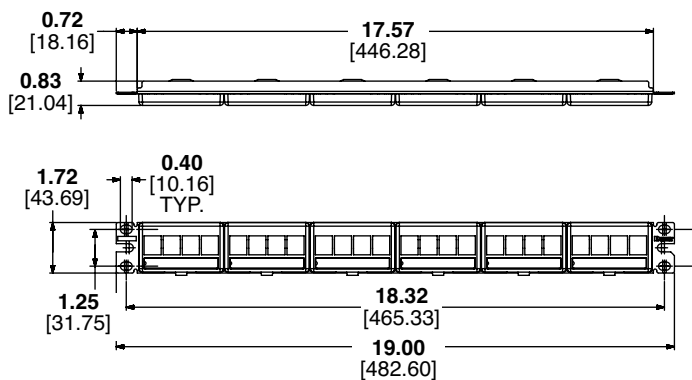
### Extender Brackets

**1 RU:** [PEB1](#)

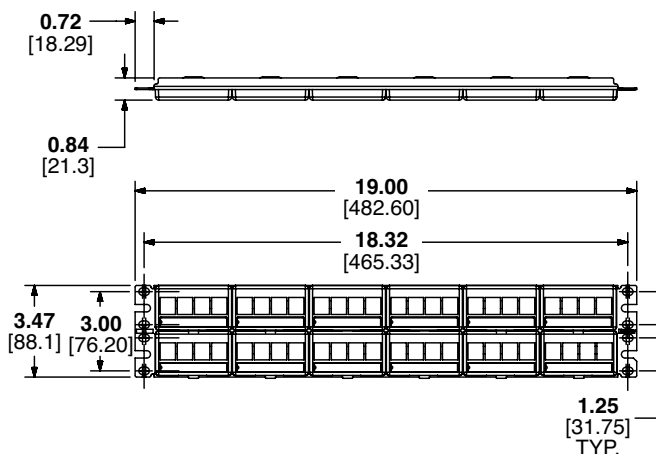
**2 RU:** [PEB2](#)

# NetKey® Modular Patch Panels with Faceplates

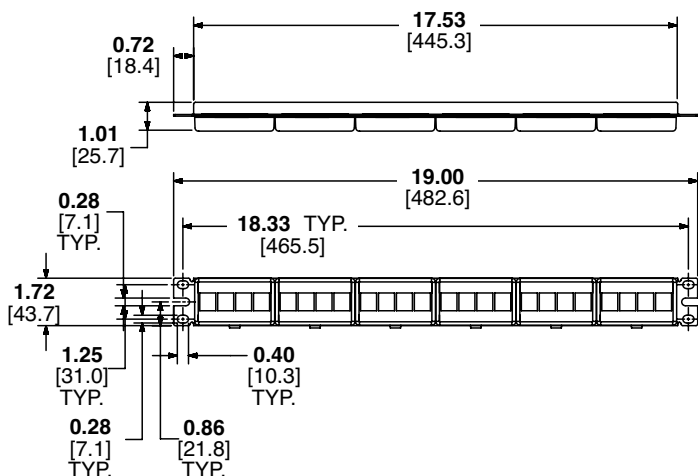
**NKFPL24**



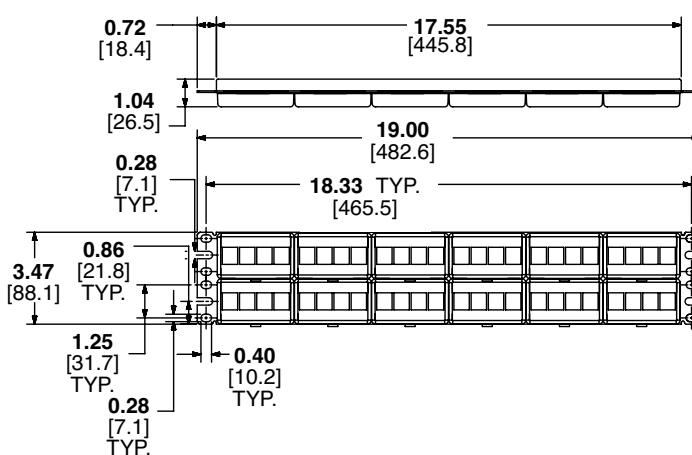
**NKFPL48**



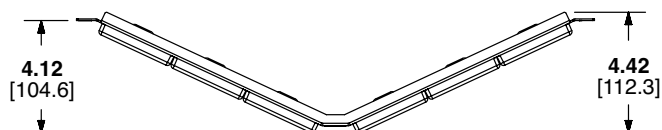
**NKFP24Y**



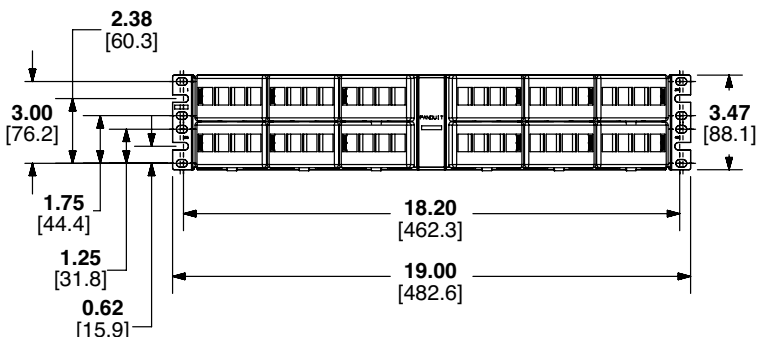
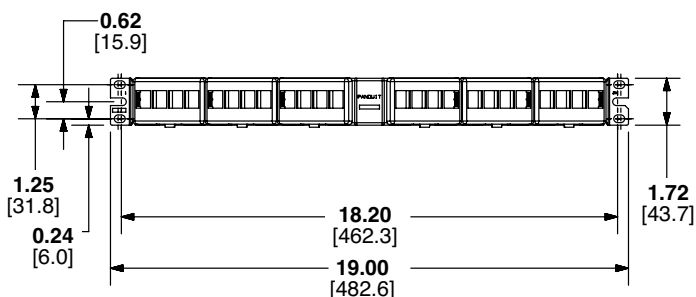
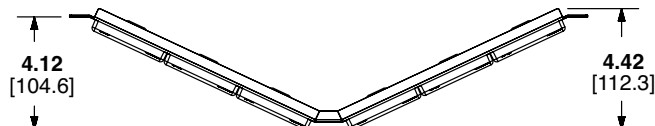
**NKFP48Y**



**NKFPA24**



**NKFPA48**



Dimensions are in inches. [Dimensions in brackets are metric].

## WORLDWIDE SUBSIDIARIES AND SALES OFFICES

PANDUIT US/CANADA  
Phone: 800.777.3300

PANDUIT EUROPE LTD.  
London, UK  
Phone: 44.20.8601.7200

PANDUIT SINGAPORE PTE. LTD.  
Republic of Singapore  
Phone: 65.6305.7575

PANDUIT JAPAN  
Tokyo, Japan  
Phone: 81.3.6863.6000

PANDUIT LATIN AMERICA  
Guadalajara, Mexico  
Phone: 52.33.3777.6000

PANDUIT AUSTRALIA PTY. LTD.  
Victoria, Australia  
Phone: 61.3.9794.9020

For a copy of Panduit product warranties, log on to [www.panduit.com/warranty](http://www.panduit.com/warranty)



For more information  
Visit us at [www.panduit.com](http://www.panduit.com)  
Contact Customer Service by email: [cs@panduit.com](mailto:cs@panduit.com)  
or by phone: 800.777.3300

© 2023 Panduit Corp.  
ALL RIGHTS RESERVED.  
NKDS68-WW-ENG  
3/2023