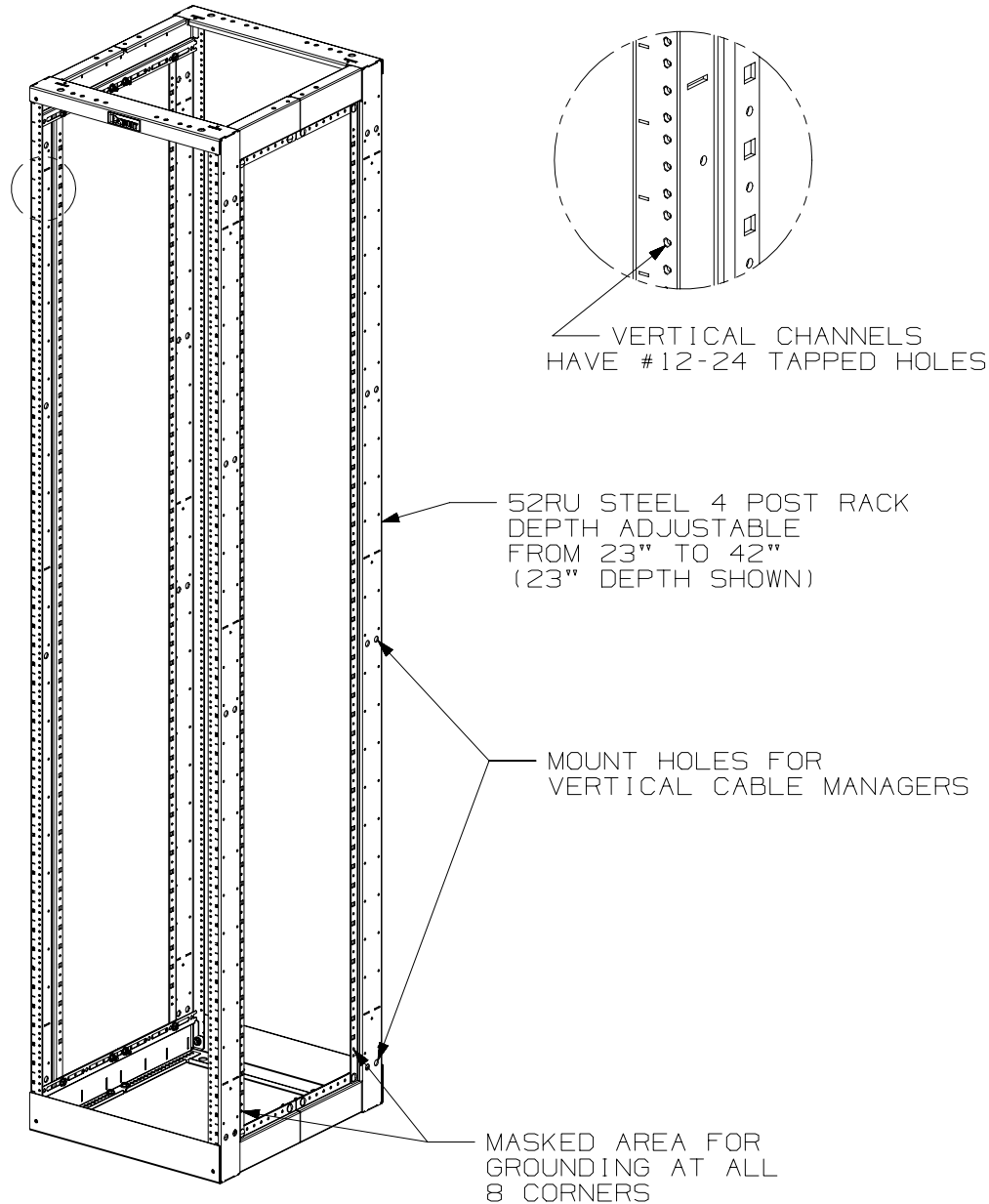


THIS COPY IS PROVIDED ON A RESTRICTED BASIS AND IS NOT TO BE USED IN ANY WAY DETRIMENTAL TO THE INTERESTS OF PANDUIT CORP.



NOTES:

1. VISIT OUR ON-LINE CATALOG AT WWW.PANDUIT.COM FOR A LIST OF CURRENT PARTS APPLICABLE FOR USE WITH THIS PRODUCT.
2. DIMENSIONS IN PARENTHESIS ARE METRIC.
3. RACK DEPTH IS ADJUSTABLE FROM 23" TO 42" AT 1/2" INCREMENTS.
4. CAN BE USED WITH ANY EIA STANDARD COMPONENT IN ADDITION TO ALL PANDUIT HORIZONTAL CABLE MANAGEMENT AND PATCH PANEL PRODUCTS.
5. 52 AVAILABLE RACK SPACES.
6. EIA UNIVERSAL STANDARD HOLE PROGRESSION ON FRONT AND REAR CHANNELS.
.625", .625", .500", .625", .625", .500"...ETC.
7. ALL RACKS WILL HAVE NUMBERS UP ORIENTATION (RU "01" ON BOTTOM, RU "52" ON TOP).
8. RU SPACING NUMBERS ARE CLEARLY PRINTED ON MOUNTING RAILS.
9. ALL ASSEMBLY HARDWARE INCLUDED:
(2) 96" TALL WELDED RACK FRAME WITH #12-24 TAPPED MOUNT HOLES
(4) ADJUSTABLE DEPTH MOUNT BRACKETS
(1) HARDWARE KIT
10. EASY ASSEMBLY, ONE WRENCH NEEDED.
11. FULLY BONDED STRUCTURE WHEN ASSEMBLED PER INSTRUCTIONS.
12. LOAD RATING - 2000 lbs.
13. WEIGHT: 88 lbs (39.9 kg)

PART NUMBER		AR4P96 / AR4P96WH	
TITLE		STEEL 4 POST RACK, 52RU TAPPED RAILS, ADJUSTABLE DEPTH FROM 23" TO 42"	
ITEM REVISION NAME		CUSTOMER DRAWING	
DATASET FILE NAME		00448EAC-DC/02C	
MATERIAL		STEEL	
DRAWING NUMBER		00448EAC-DC	
DRAWN BY		TJV	
DATE		10-21-19	
CHK		RYB	
SCALE		NONE	
SHEET 1 OF 3		A	

REV	DATE	BY	CHK	APR	DESCRIPTION	ECN
02C	4-28-23	TWV	MPOL	KCOR	ADDED TOP HOLE DIMENSIONS	M09000ME
02B	2-8-22	TWV	KRKE	JEFK	UPDATED GROUNDING MASKED AREA NOTE	M09000LA/07

A-SIZE CUSTOMER

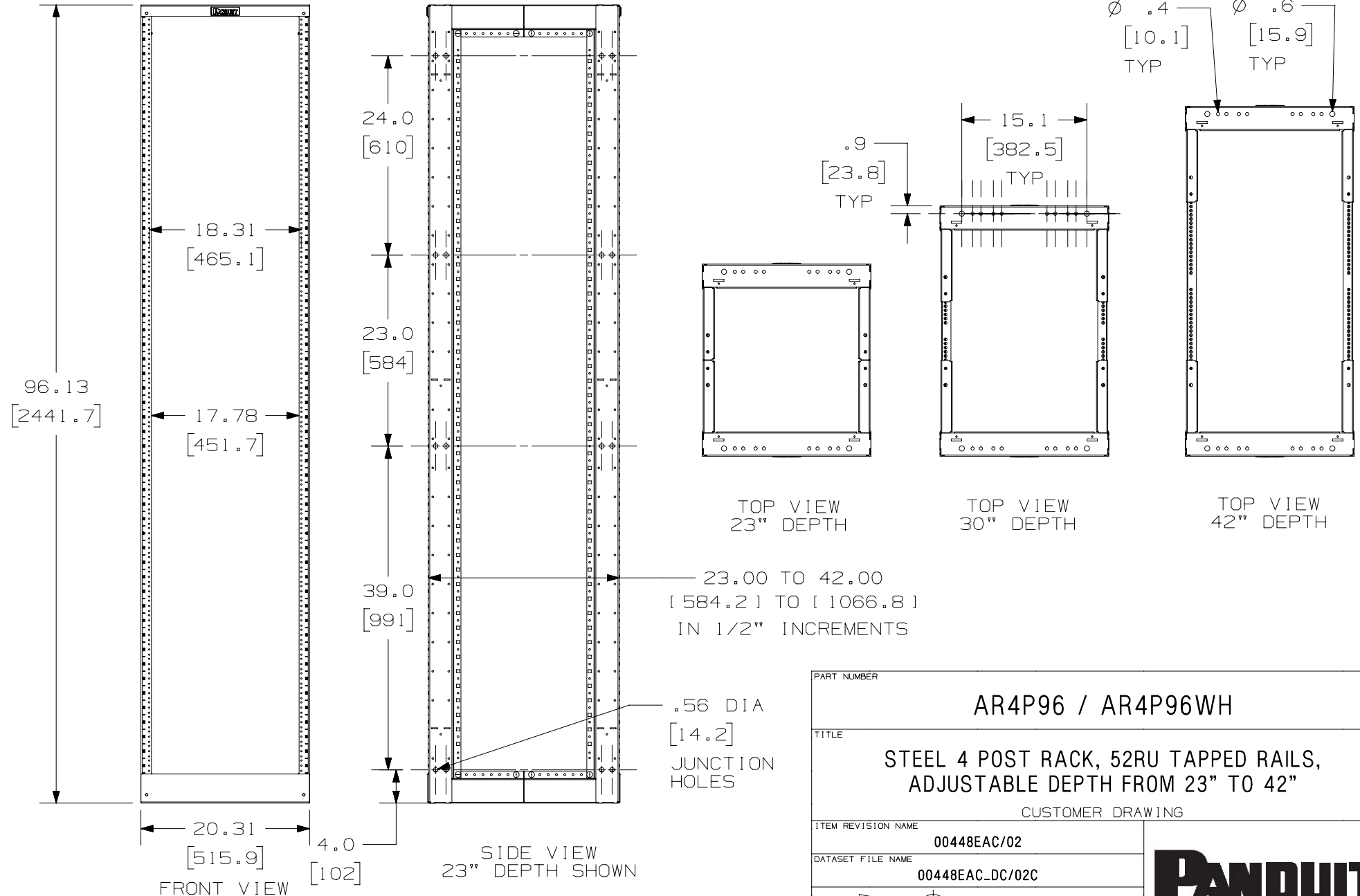
2

1

2

1

THIS COPY IS PROVIDED ON A RESTRICTED BASIS AND IS NOT TO BE USED IN ANY WAY DETRIMENTAL TO THE INTERESTS OF PANDUIT CORP.



PART NUMBER		AR4P96 / AR4P96WH	
TITLE		STEEL 4 POST RACK, 52RU TAPPED RAILS, ADJUSTABLE DEPTH FROM 23" TO 42"	
ITEM REVISION NAME		CUSTOMER DRAWING	
DATASET FILE NAME		00448EAC/02	
MATERIAL		STEEL	
DRAWING NUMBER		00448EAC-DC	
DRAWN BY		DATE	CHK
TWW		1-22-20	RYB
SCALE		NONE	
SHEET 2 OF 3		A	

REV	DATE	BY	CHK	APR	DESCRIPTION	ECN
02C	4-28-23	TWV	MPOL	KCOR	SEE SHEET ONE FOR REVISIONS	M09000ME
02B	2-8-22	TWV	KRKE	JEFK	SEE SHEET ONE FOR REVISIONS	M09000LA/07

A-SIZE CUSTOMER

2

1

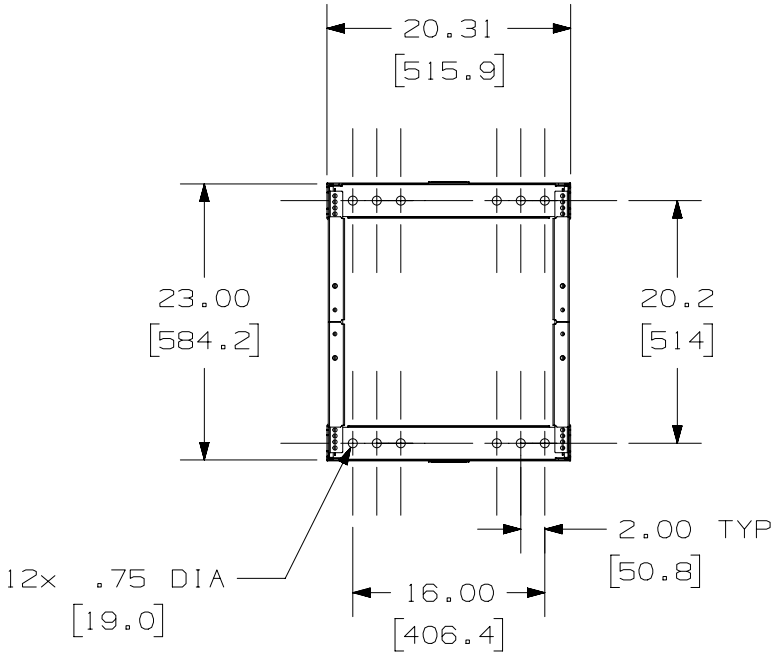
2

1

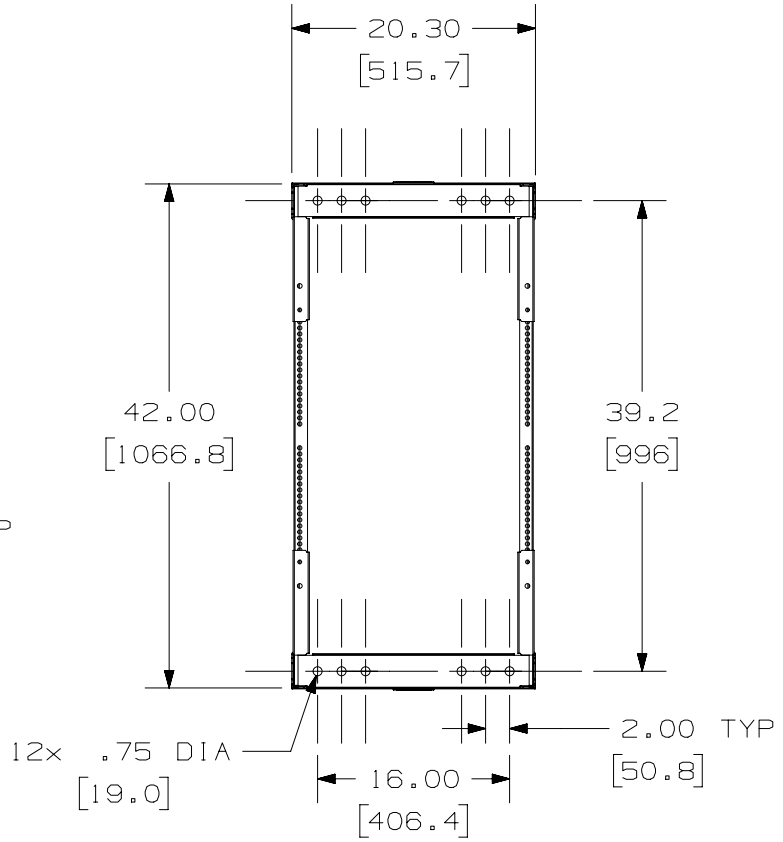
THIS COPY IS PROVIDED ON A RESTRICTED BASIS AND IS NOT TO BE USED IN ANY WAY DETRIMENTAL TO THE INTERESTS OF PANDUIT CORP.

2

1

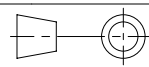


FLOOR FOOTPRINT AT 23" MINIMUM DEPTH



FLOOR FOOTPRINT AT 42" MAXIMUM DEPTH

PART NUMBER		AR4P96 / AR4P96WH		
TITLE		STEEL 4 POST RACK, 52RU TAPPED RAILS, ADJUSTABLE DEPTH FROM 23" TO 42"		
ITEM REVISION NAME		CUSTOMER DRAWING		
DATASET FILE NAME		00448EAC/02		
MATERIAL		STEEL		
DRAWN BY		DATE	CHK	SCALE
TWW		1-22-20	RYB	NONE
DRAWING NUMBER		00448EAC-DC		
REV		DATE	BY	CHK
02C		4-28-23	TWV	MPOL
02B		2-8-22	TWV	KRKE
DESCRIPTION		SEE SHEET ONE FOR REVISIONS		
ECN		M09000ME		
DESCRIPTION		SEE SHEET ONE FOR REVISIONS		
ECN		M09000LA/07		
DESCRIPTION		SEE SHEET ONE FOR REVISIONS		
ECN		M09000LA/07		



THIRD ANGLE PROJECTION

B

B

A

A

A-SIZE CUSTOMER

2

1