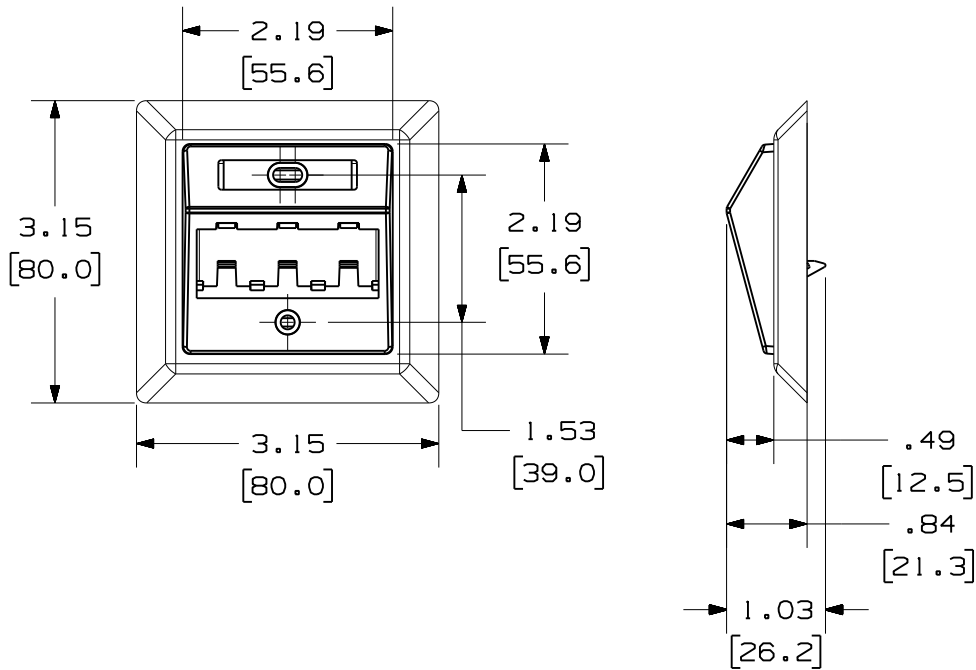


THIS COPY IS PROVIDED ON A RESTRICTED BASIS AND IS NOT TO BE USED IN ANY WAY DETRIMENTAL TO THE INTERESTS OF PANDUIT CORP.

PANDUIT P/N	WEIGHT
CS2P**Y	1.24 LB/10 PCS. (563.4 g/10 PCS.)

NOTES:

- SEE CURRENT CATALOG FOR ADDITIONAL PART NUMBER SUFFIXES TO INDICATE COLOR AND OR PACKAGE QUANTITY.
- SEE CATALOG FOR COMPLETE LIST OF PARTS APPLICABLE FOR USE WITH THIS PART.
- DIMENSIONS IN PARENTHESES ARE IN METRIC.
- KIT INCLUDES:
 - 1- SUPPORT RING
 - 1- SCREW KIT
 - 1- LABEL/COVER
 - 1- 55mm X 55mm FACEPLATE
 - 1- 80mm X 80mm BEZEL
 - 2- CJS588Y
 - 1- CMB**



PART NUMBER	CS2P**Y	PRODUCT SPEC/PKG SPEC	N/A
I.I. NUMBER	N/A	WORK INSTRUCTION	N/A

TITLE	MINI-COM 3 POSITION 80mm X 80mm SLOPED FACEPLATE KIT CUSTOMER DRAWING
ITEM REVISION NAME	M02479GL/00.PRT

DATASET FILE NAME	M02479GL_DC170/00B.PRT	PANDUIT TM
UNLESS OTHERWISE SPECIFIED, DIMENSIONAL TOLERANCES ARE: IN (mm)		

.x : .1 [2.54]	.xxx : .005 [0.127]	MATERIAL:
.xx : .01 [0.25]	ANGLES : 5 °	SUPPORT RING: ZINC PLATED C.R.S. 55mm X 55mm FACEPLATE: ABS 80mm X 80mm BEZEL: ABS

THIRD ANGLE PROJECTION	DRAWING NUMBER:	02479-170
------------------------	-----------------	-----------

REV	DATE	BY	CHK	APR	DESCRIPTION	ECN
1	10-26-12	BJN	JSP	JSP	A. CORRECTED 50mm X 50mm FACEPLATE TO 55mm X 55mm FACEPLATE	02479-170
R	4-25-06	JSP	MJD	MJD	RELEASED TO PRODUCTION	02479-170

REV	DATE	BY	CHK	APR	DESCRIPTION	ECN	DRAWN BY	DATE	CHK	SCALE	SHT 1 OF 1	SIZE
							JSP	4-26-06	MJD	NONE		A