



FOR USE WITH  
**PANDUIT PAN-WAY**  
**LD2P10**  
**SURFACE RACEWAY**  
**ROUTING SYSTEM**

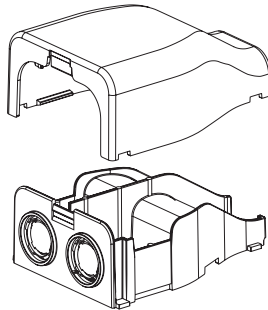
**PAN-WAY** ENTRANCE END FITTING

PART NUMBER: EEFX

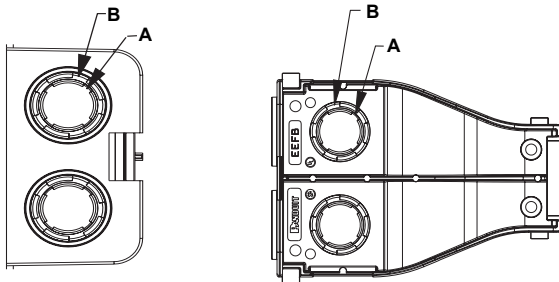
**INSTALLATION INSTRUCTIONS**

©Panduit Corp. 1998

Printed in U.S.A.

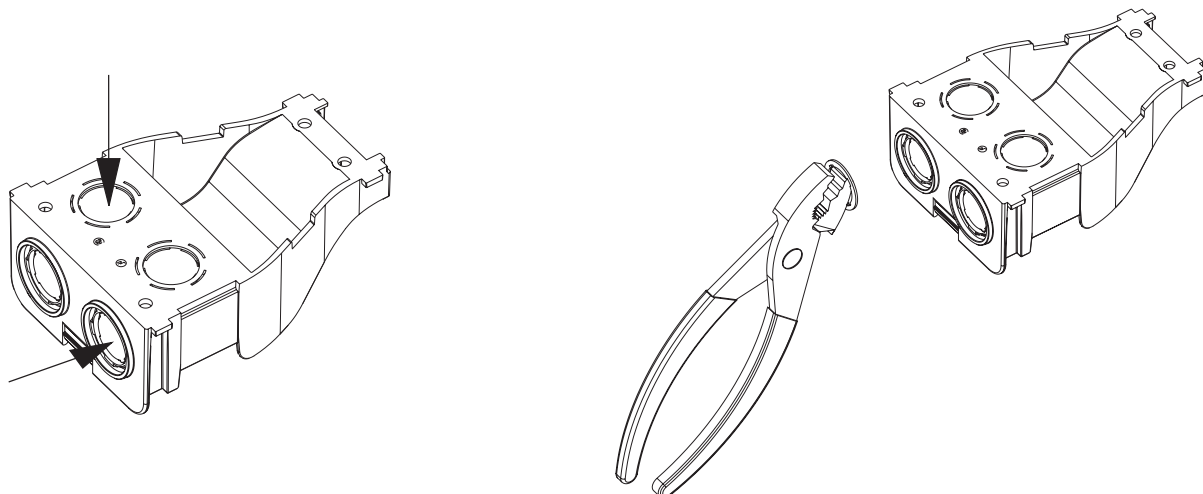


**BREAKOUTS**



**BREAKOUTS**

BREAK-OUTS	CONDUIT SIZES
A	1/2"
B	3/4"



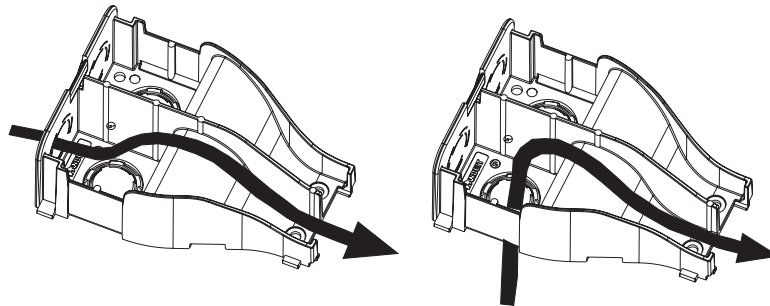
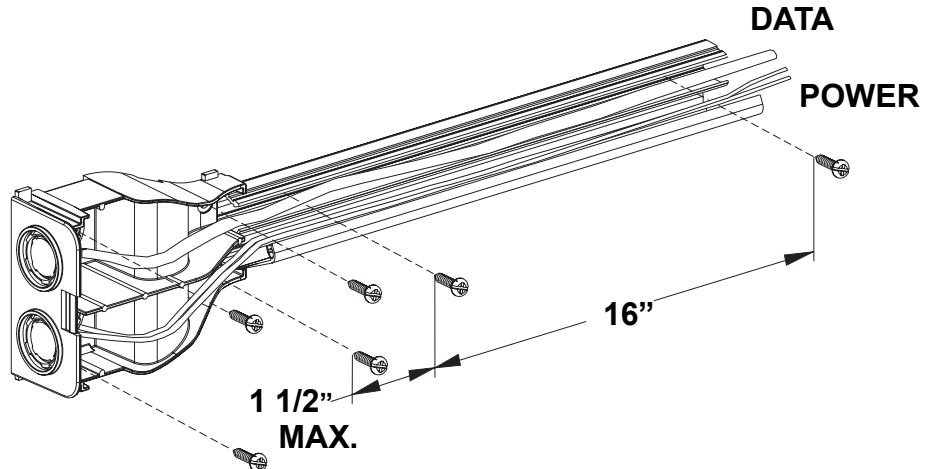
For Technical Assistance call: 866-405-6656

# ENTRANCE END FITTING INSTALLATION INSTRUCTIONS

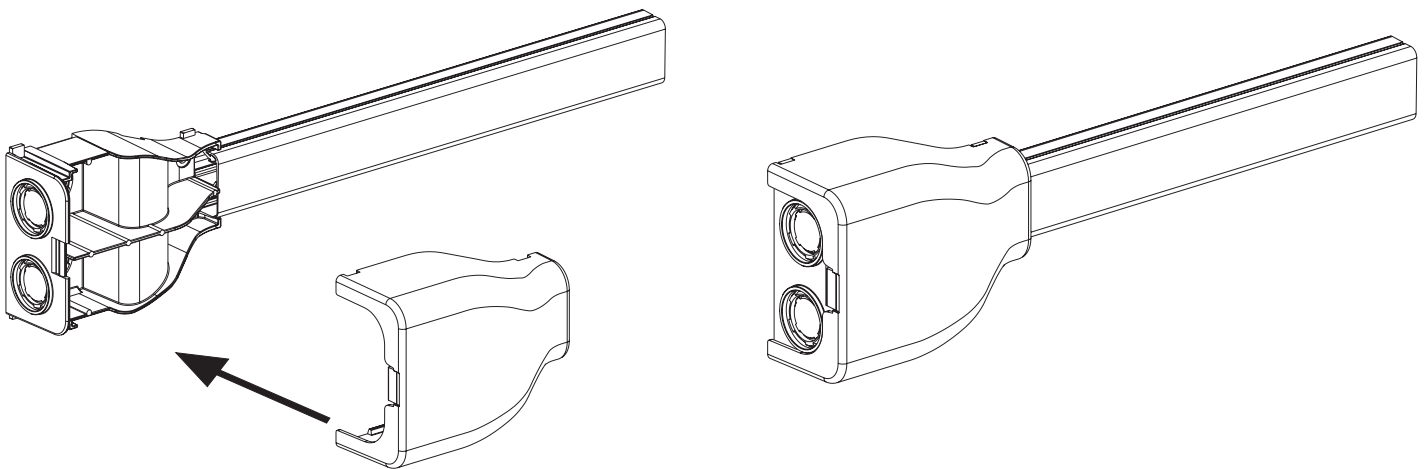
## POWER/DATA LOW VOLTAGE APPLICATIONS



The mounting hardware used to secure the raceway shall be appropriate for the mounting surface.



### ROUTING



Instruction Sheet RW27B

### WORLDWIDE SUBSIDIARIES AND SALES OFFICES

17301 Ridgeland Avenue  
Tinley Park, IL. 60477-3091  
Web Site: [www.panduit.com](http://www.panduit.com)



RACEWAY SYSTEMS DIVISION

Fax: 866-449-1702  
Technical Support: 866-405-6656  
Email: [netconnsupport@panduit.com](mailto:netconnsupport@panduit.com)