



Aluminum and Plastic 1- Hole Cable Cleat

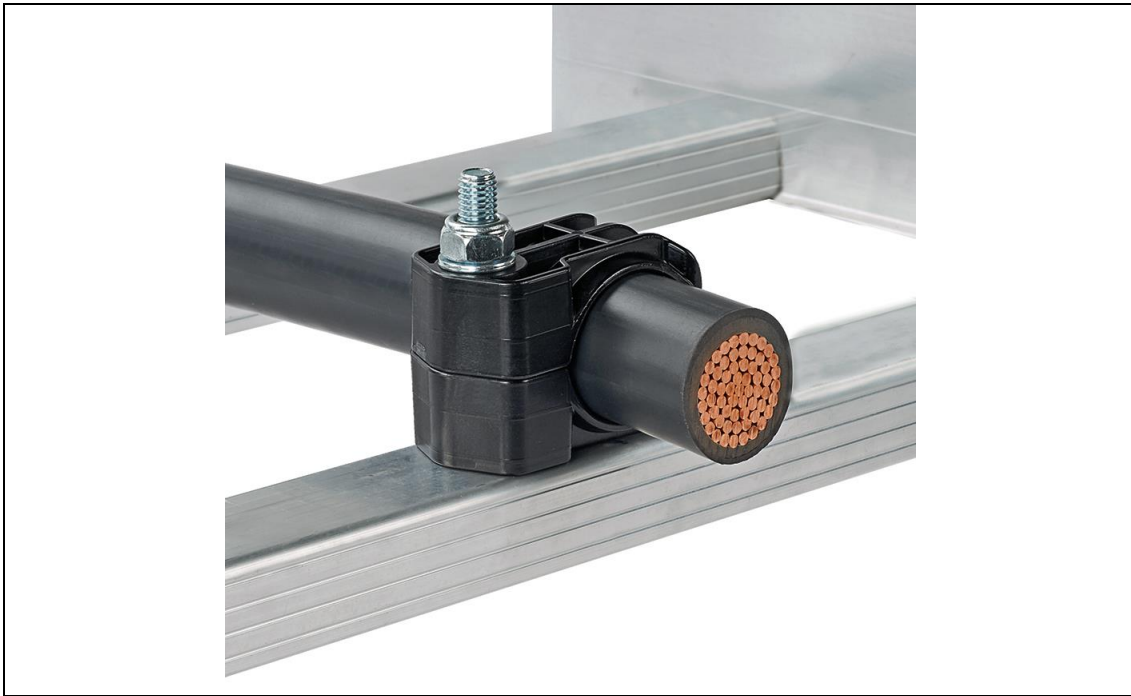
RW317
Rev. AB [12-2022]

Cable Cleat for the Protection and Support
Of Cables in a Flat Arrangement

INSTALLATION INSTRUCTIONS

CCAL1H and CCPL1H Family of Cable Cleats

© Panduit Corp. 2022



TO REDUCE THE RISK OF INJURY, USER MUST READ INSTALLATION INSTRUCTIONS BEFORE ATTEMPTING TO INSTALL


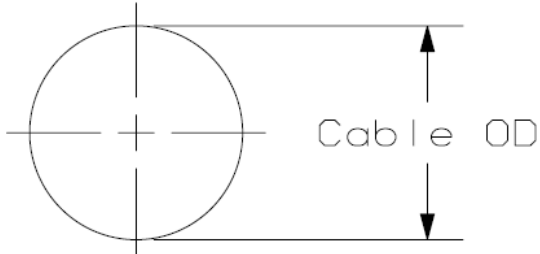
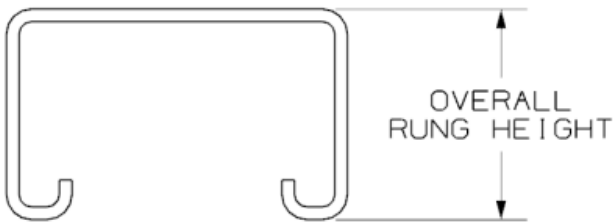


NOTE: *In the interest of higher quality and value, Panduit products are continually being improved and updated. Consequently, pictures may vary from the enclosed product.*

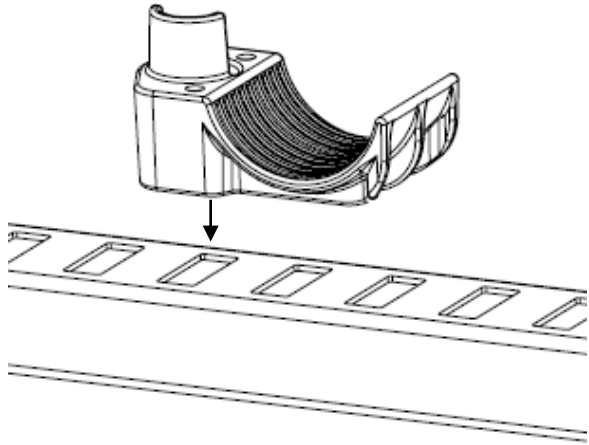
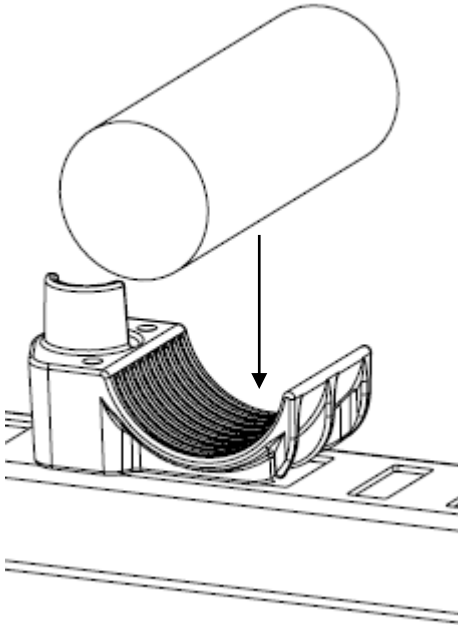
NOTE: *Updates to this Installation Instructions may be available. Check www.panduit.com for the latest version of this manual.*

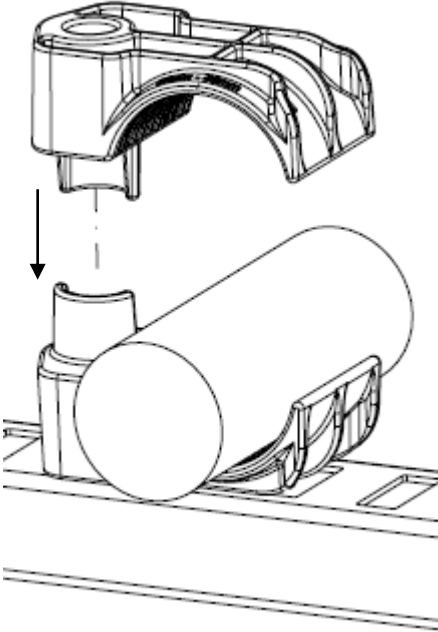
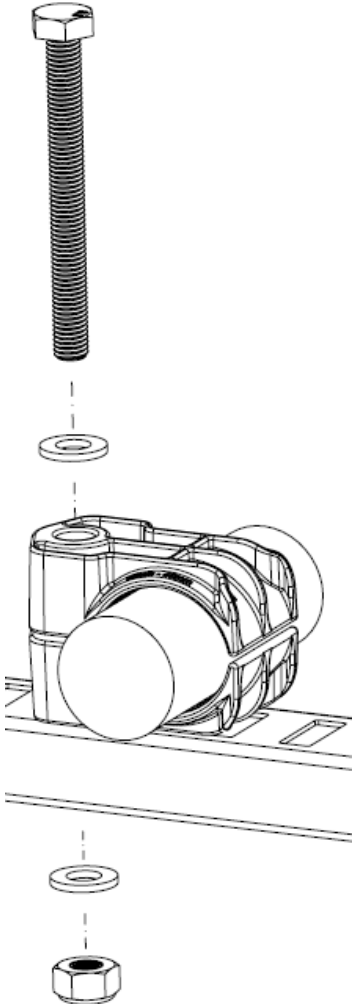
<p>Email: techsupport@panduit.com</p> <p>EU Website: www.panduit.com/emea</p> <p>EU Email: emeatoolservicecenter@panduit.com</p>	 www.panduit.com	<p>Panduit Corp. USA Technical Support Tel: 800-777-3300</p> <p>Panduit Europe • EMEA Service Center Tel: +31 546 580 452 • Fax: +31 546 580 441</p>
--	--	--

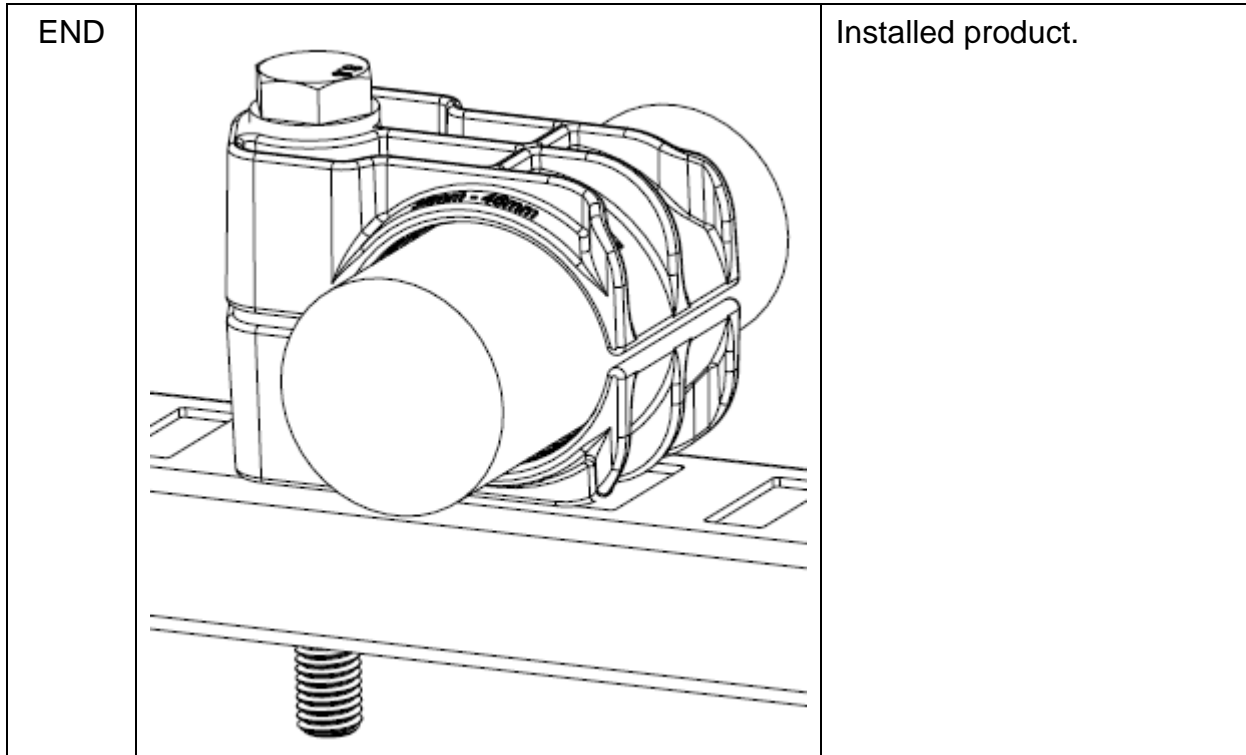
Preparing for Order

Step	Picture	Description
1	 Contact Us	Contact Panduit Sales for assistance with Cleat and hardware selection.
2		Measure the actual diameter of the cables. Select a cleat part number based on the actual diameter of the cables.
3		Measure the height of the ladder rung. Procure M10 or 3/8" washers, nylon-insert locknuts, and hex bolts with sufficient length to pass through the ladder rung and cleat with the cables installed. Dock washers can be used to span the opening at the bottom of the rung if there is insufficient clearance between the flanges.

Cleat Assembly

1	 A technical line drawing showing a cable cleat component being positioned over a hole in a metal rung. The cleat has a curved, cup-like shape. An arrow points downwards from the cleat towards the hole in the rung.	Position one of the two identical cleat components over the appropriate hole in the rung.
2	 A technical line drawing showing a cable being placed into the cup of the cleat. The cleat is already mounted on the rung. A cylindrical cable is shown above the cleat, with an arrow pointing downwards into the cup of the cleat.	Place cable in the cup of the cleat.

<p>3</p>		<p>Assemble top of cleat over the cable, nesting the anti-rotation features in the two halves of the cleat.</p>
<p>4</p>		<p>Assemble M10 or 3/8" mounting hardware through bolt hole. Tighten bolt to 90in-lbs [10.2Nm]. The position of the nut and bolt may be flipped. Follow engineering instructions for your application.</p>



Recommended best practice for orientation of cleats is shown below. Cleats located at the ends of the ladder rung should have the bolt placed on the side closest to the outside of the ladder rack. Any cleats in the middle should have the bolt in alternating orientations. Follow provided engineering drawings and instructions for your application.

