

TX6A™ Category 6A Shielded/Outdoor FieldCord™ Connectors

specifications

The TX6A™ Shielded/Outdoor FieldCord™ Connector shall be a simple connection solution for nearly any RJ45 plug-attached network device. The FieldCord™ Connector shall combine a robust and IP67* sealed field-mateable connector assembly, an outdoor rated Category 6A shielded twisted pair 26 AWG cable, and an ultra-compact RJ45 plug in one assembly. The FieldCord™ Connector shall enable connection to devices with the smallest port spaces and most confined cable routing paths. The TX6A™ FieldCord™ Connector shall provide Category 6A performance and shall be compatible with Category 6 and 5e shielded or outdoor systems.



technical information

Category 6A/Class E_A performance:	Exceeds ANSI/TIA-568.2-D Category 6A and ISO 11801 Class E _A Channel performance requirements with up to two TX6A FieldCord™ Connectors in channel. Meets or exceeds TIA Modular Plug Terminated Link requirements with one TX6A FieldCord™ Connector in link
Splice Coupler Cable Compatibility:	Compatible with 4-pair, 22–26 AWG solid or stranded shielded or unshielded twisted pair cable with conductor insulation diameters of 0.039 in. to 0.063 in. (1.0mm - 1.6mm) and overall cable O.D. 0.249 in. to 0.323 in. (6.4mm - 8.2mm)
FCC and ANSI compliance:	Meets ANSI/TIA-1096-A (formerly FCC Part 68)
IEC compliance:	IEC 60603-7, IEC 60529 (IP67*)
RoHS compliance:	Compliant
PoE & PoH compliance:	Supports IEEE 802.3af/802.3at (PoE/PoE+) and 802.3bt type 3 and type 4 (PoE++) applications. Supports Power over HDBaseT up to 100 watts.
Plug mating cycles:	Rated to 2500 mating cycles
UL rated:	UL 1863 (Use as communications circuit accessory)
Operating temperature:	-10°C to +75°C (+14°F to +167°F)
Storage temperature:	-40°C to +75°C (-40°F to +167°F)

key features and benefits

Outdoor (CMX) rated Category 6A shielded 26 AWG cable	Cable can be used outdoors but is also highly flexible to allow fit into tight cable routing spaces
FieldCord™ Connector Assembly is IP67 rated	Connector assembly provides sealed field connection between mated cables
Small RJ45 plug size	Easily fits in tight port spaces of network devices where other connectors are too large
TG-style termination technology	Proven electrical performance and quick installation speed from the same forward-motion termination technology used in Panduit's Mini-Com® TG Modular Jacks
Category 6A, 6, and 5e compatibility	Single connector solution works for all common shielded or outdoor UTP cabling systems
FieldCord™ is re-terminable	Ability to re-terminate FieldCord™ Connector Assembly up to 20 times with no additional parts, providing convenience and cost-savings in cases when FieldCord™ Connector must be re-terminated to cable
Simple screw-together assembly	FieldCord™ Connector can easily be terminated by hand, no special terminations tools are needed

*IP67 rating is applicable for mated connector when assembled per installation instructions and using cable seals provided. Diameter of mated cable must be within stated range and cable jacket must be circular in shape and capable of supporting a seal.

TX6A™ Shielded/Outdoor FieldCord™ Connectors

Category 6A Shielded/Outdoor FieldCord™ Connector, 1 meter: FC-OCCO1MBL

Category 6A Shielded/Outdoor FieldCord™ Connector, 3 meter: FC-OCCO3MBL

Category 6A Shielded/Outdoor FieldCord™ Connector, 5 meter (with loose cord): FC-OCC/O5MBL

Category 6A Shielded/Outdoor FieldCord™ Connector Assembly: FC-OSC

Tools and Accessories

Cable jacket stripping tool: CJUST

Wire snipping tool: CWST

Recommended Cable

Category 6 Shielded: PFP6C04BL04-UG

Category 6A UTP OSP: PUO6AS04BL-G

Category 6A Shielded: PUFR6X04BU-UG

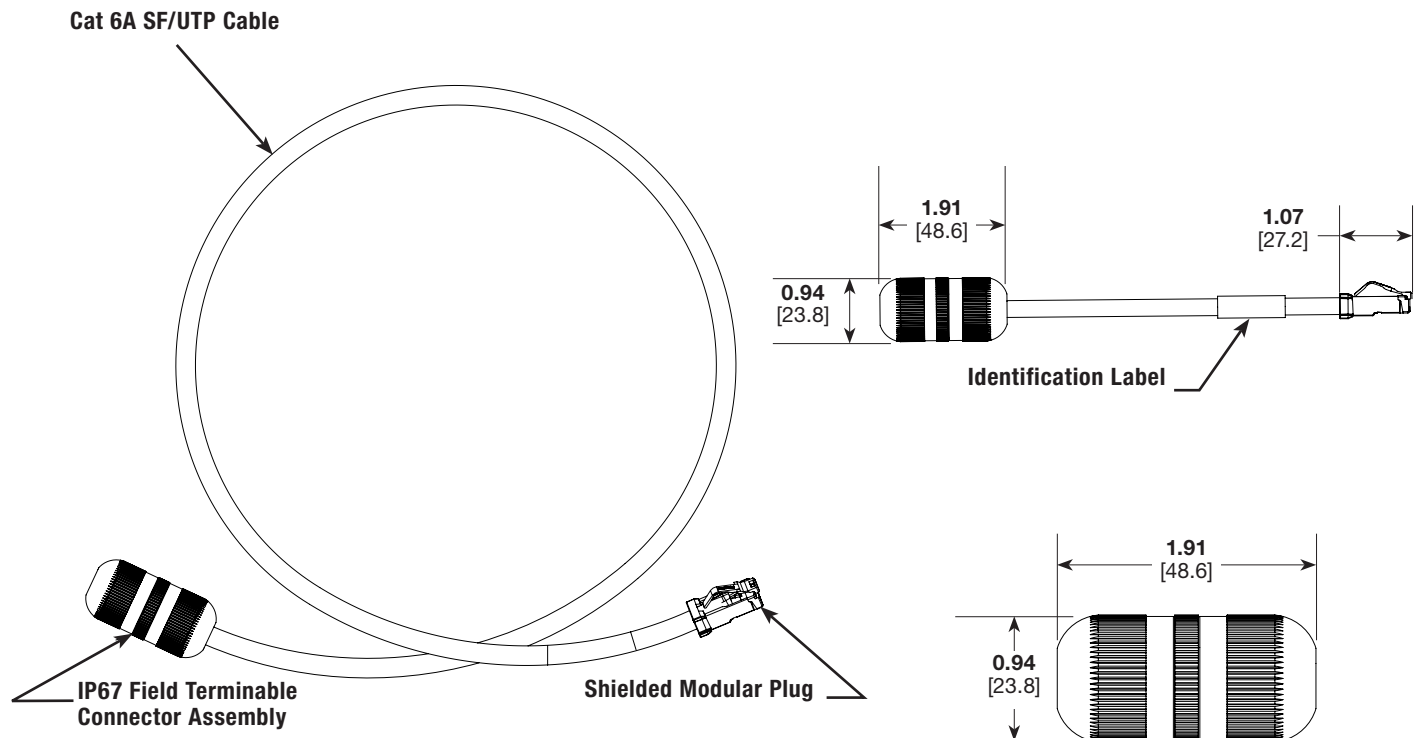
TX6A™ Category 6A Shielded/Outdoor FieldCord™ Connectors

applications

The TX6A™ Shielded/Outdoor FieldCord™ Connector is ideal for connecting network devices requiring a plug connection to the network and where the plug port area and/or the cable routing path in the network device is too small to use Panduit® TX6A™ Field Term Plugs. Typical applications include:

- Outdoor network cameras and wireless access points
- Power over Ethernet (PoE) LED lighting and motion sensors
- Building access control points
- Network-attached Audio/Video equipment
- Other PoE or HDBASE-T powered network devices

dimensions



Dimensions are in inches. [Dimensions in brackets are metric].

WORLDWIDE SUBSIDIARIES AND SALES OFFICES

PANDUIT US/CANADA
Phone: 800.777.3300

PANDUIT EUROPE LTD.
London, UK
Phone: 44.20.8601.7200

PANDUIT SINGAPORE PTE. LTD.
Republic of Singapore
Phone: 65.6305.7575

PANDUIT JAPAN
Tokyo, Japan
Phone: 81.3.6863.6000

PANDUIT LATIN AMERICA
Guadalajara, Mexico
Phone: 52.33.3777.6000

PANDUIT AUSTRALIA PTY. LTD.
Victoria, Australia
Phone: 61.3.9794.9020

For a copy of Panduit product warranties, log on to www.panduit.com/warranty

For more information

Visit us at www.panduit.com
Contact Customer Service by email: cs@panduit.com
or by phone: 800.777.3300

PANDUIT®

© 2022 Panduit Corp.
ALL RIGHTS RESERVED.
COSP522--WW-ENG
5/2022