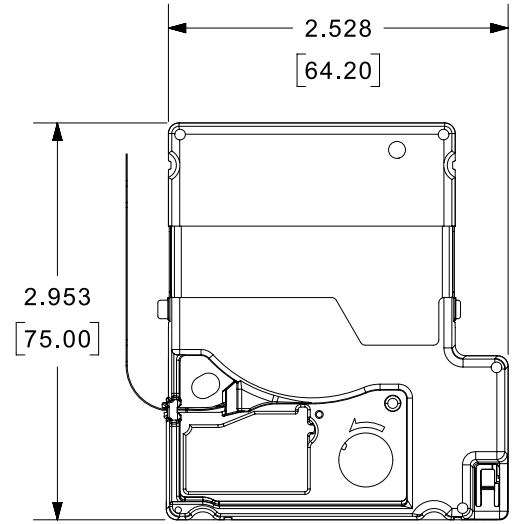
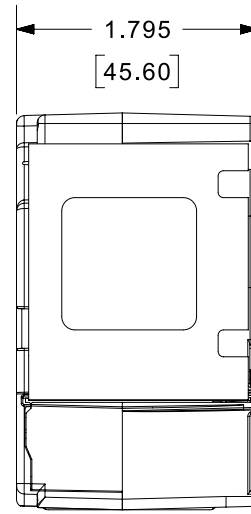
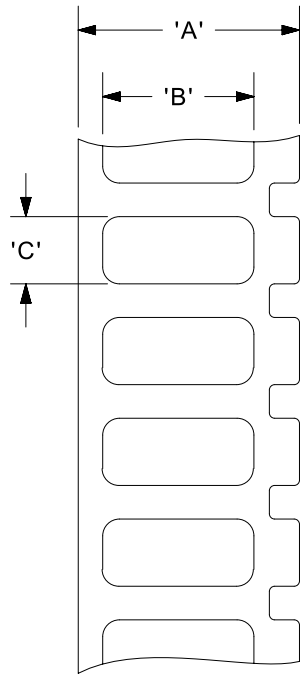


THIS COPY IS PROVIDED ON A RESTRICTED BASIS AND IS NOT TO BE USED IN ANY WAY DETRIMENTAL TO THE INTERESTS OF PANDUIT CORP.



PART NUMBER	MATERIAL	COLOR	'A'	'B'	'C'	CASSETTE LABELS/ROLL	COMPATIBLE
C100X050YJM	GMY4W-E	WHITE	1.646 [41.81]	1.00 [25.4]	0.50 [12.7]	420	MP300
C200X100YJM			1.00 [25.4]	2.00 [50.8]	140		

NOTE:
1. MILLIMETERS ARE IN [].

TITLE MP POLYESTER COMPONENT LABELS	
CUSTOMER DRAWING	
ITEM REVISION NAME 100743XT/00	PANDUIT
DATASET FILE NAME 100743XT_DC/00A CUST DWG	
UNLESS OTHERWISE SPECIFIED, DIMENSIONAL TOLERANCES ARE: IN [mm]	
.x ± .1 [2.54] .xxx ± .025 [.635]	MATERIAL: SEE TABLE
.xx ± .05 [1.27] ANGLES ±	
DRAWING NUMBER: 100743XT_DC	
THIRD ANGLE PROJECTION	

00A	10/13/2023	RVU	JSUN	MSAD	DRAWING RELEASE.	GAECN04942
REV	DATE	BY	CHK	APR	DESCRIPTION	ECN

D10100DA/20