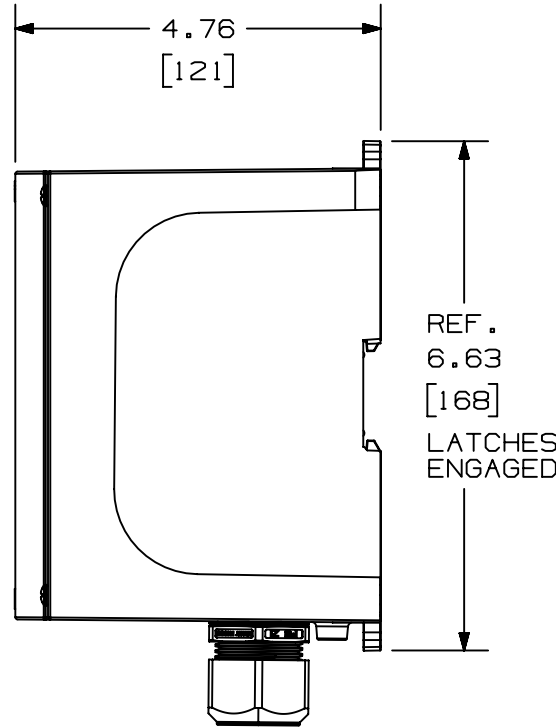
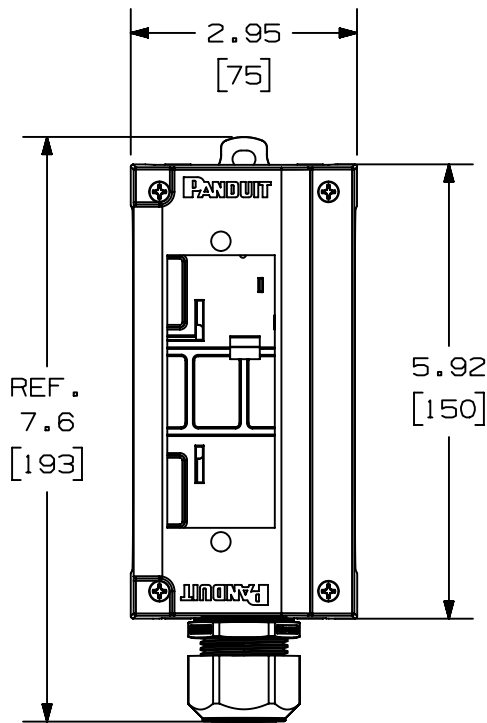
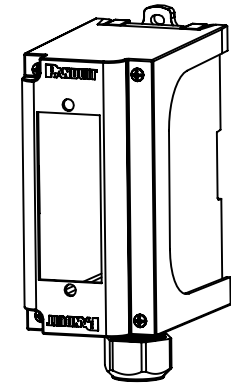


THIS COPY IS PROVIDED ON A RESTRICTED BASIS AND IS NOT TO BE USED IN ANY WAY DETRIMENTAL TO THE INTERESTS OF PANDUIT CORP.



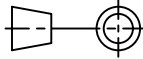
- NOTES:
- SEE CURRENT CATALOG:
 - FOR TECHNICAL AND OPERATING SPECIFICATIONS.
 - FOR COMPLETE LIST OF PARTS APPLICABLE FOR USE WITH THIS PRODUCT.
 - MATERIALS:
 - ENCLOSURE: COMPOSITE PLASTIC WITH METAL FASTENERS.
 - PRODUCT MUST COMPLY TO PANDUIT SPECIFICATION FOR CHEMICAL SUBSTANCES TO BE CONTROLLED IN PANDUIT PRODUCT AND PACKAGING C2-0834 AND APPENDICES C2-0835.
 - DIMENSIONS IN BRACKETS ARE METRIC [mm].
 - PART INCLUDES:
 - 1- BASE ASSEMBLY
 - 1- FIBER COVER
 - 1- PG21 CORD GRIP
 - 4- 6-32 X 3/8" PHILLIPS DRIVE SCREWS
 - 1- 6-32 X 1/4" PHILLIPS DRIVE SCREW



ISOMETRIC VIEW

FDPPSIG

PANDUIT P/N	WEIGHT
FDPPSIG	0.69 lb/PCS (312 g/PCS)

TITLE INDUSTRIALNET FIBER DIN RAIL PATCH PANEL, STANDARD FOR USE WITH FAPS													
CUSTOMER DRAWING													
ITEM REVISION NAME 00949EAC/00					PANDUIT								
DATASET FILE NAME 00949EAC_DC/00A													
 THIRD ANGLE PROJECTION													
MATERIAL N/A					DRAWING NUMBER 00949EAC-DC								
00A	3/20/23	JBO	RKA	BETL	INITIAL RELEASE	00949EAC-DC		DRAWN BY JBO	DATE 3/20/23	CHK RKA	SCALE NONE	SHEET 1 OF 1	SIZE A

REV	DATE	BY	CHK	APR	DESCRIPTION	ECN
00A	3/20/23	JBO	RKA	BETL	INITIAL RELEASE	00949EAC-DC