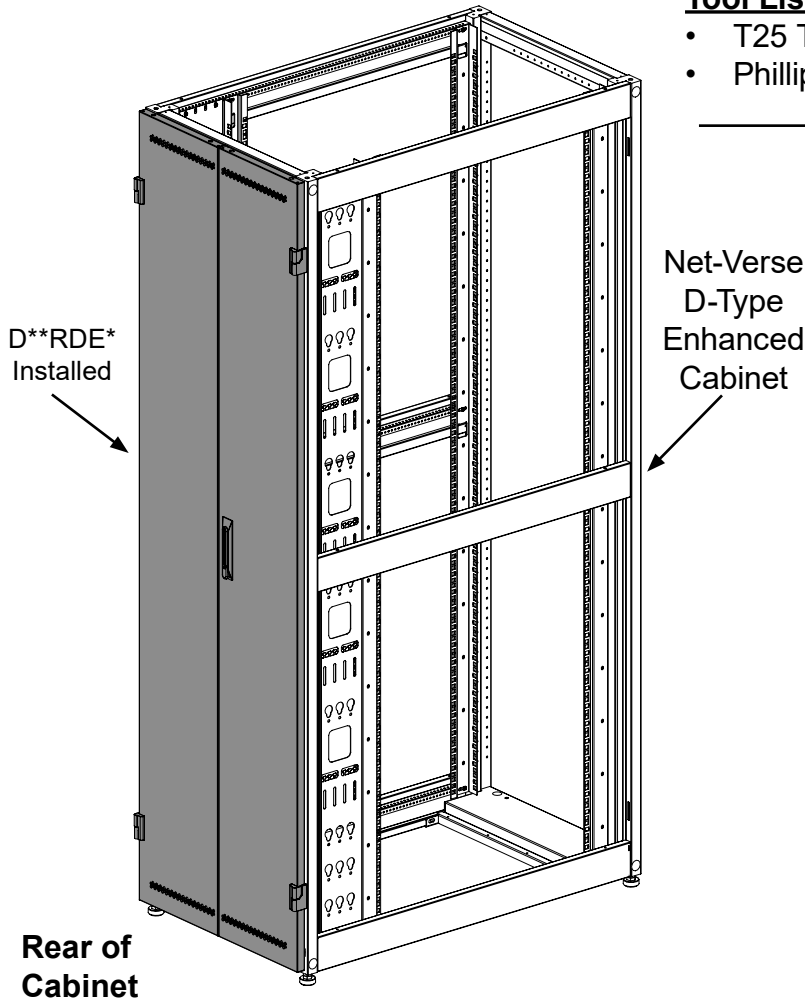
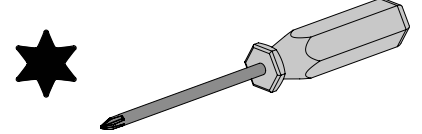
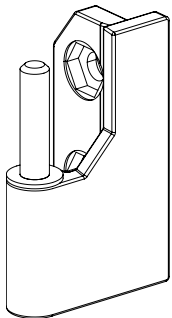
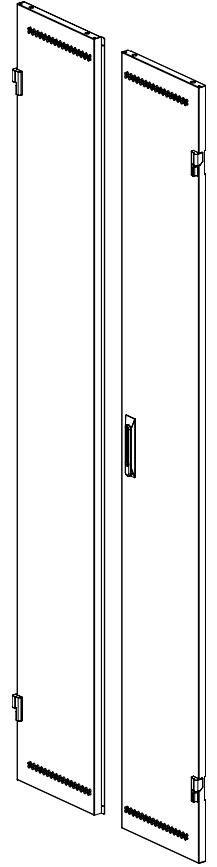


#### Tool List:

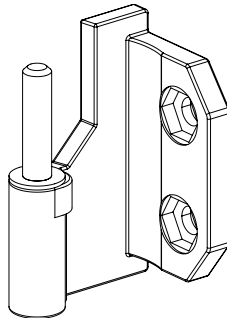
- T25 Torx driver
- Phillips Screwdriver



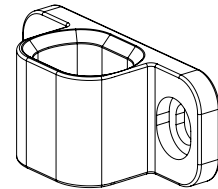
Cabinet Rear Split Doors Enhanced  
Qty: 1



Male Door Hinge  
Right side  
(Top Hinge is longer)  
Qty: 2



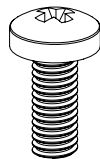
Male Door Hinge  
Left side  
(Top Hinge is longer)  
Qty: 2



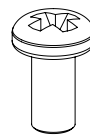
Rear Door  
Catch  
Qty: 2



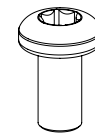
12AWG Male Ground Whip  
Qty: 2



M6x1.0 x 15mm  
Pan-Head Phillips  
Machine Screw  
Qty: 8



M5x0.8 x 10mm  
Phillips Head Screw  
Qty: 4



M5x0.8 x 10mm  
Pan Head  
Torx Screw  
Qty: 2



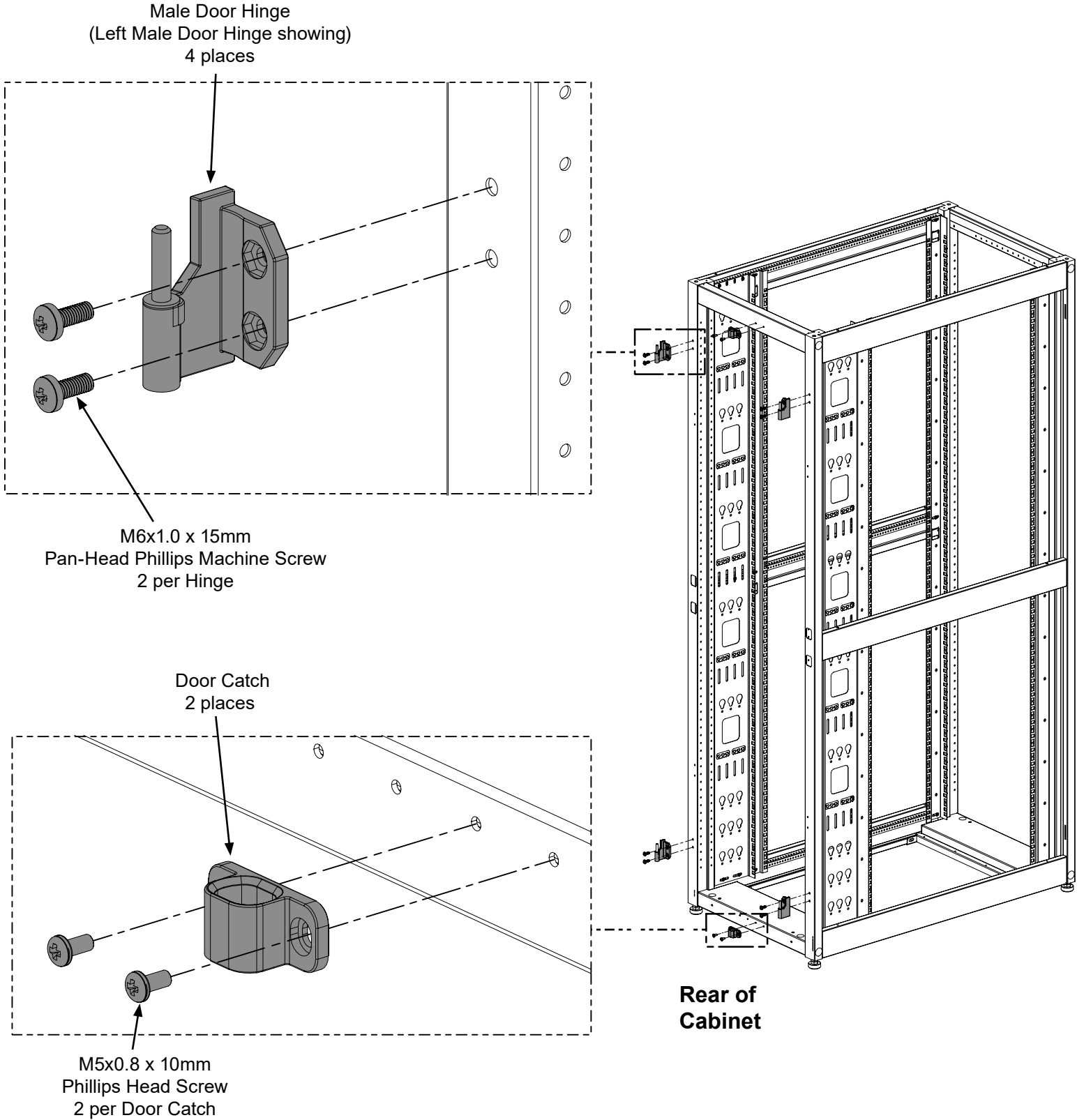
M6 Star Washer  
Qty: 2

For Technical Support: [www.panduit.com/resources/install\\_maintain.asp](http://www.panduit.com/resources/install_maintain.asp)

## Install Male Door Hinges and Door Catches (If not already present)

- Install (4) Male Door Hinges. Two (2) on each side of Cabinet as shown.
- Install (2) Door Catches. One (1) at the top of the Cabinet and one (1) at the bottom as shown.

**NOTE:** There are (2) left side and (2) right side Door Hinges. They must be installed on the correct side in order for Rear Split Doors to fit and operate properly. The top Hinge Pins are longer than the bottom Hinge Pins. Verify the Hinge Pin lengths prior to installation.



For Technical Support: [www.panduit.com/resources/install\\_maintain.asp](http://www.panduit.com/resources/install_maintain.asp)



## DANGER

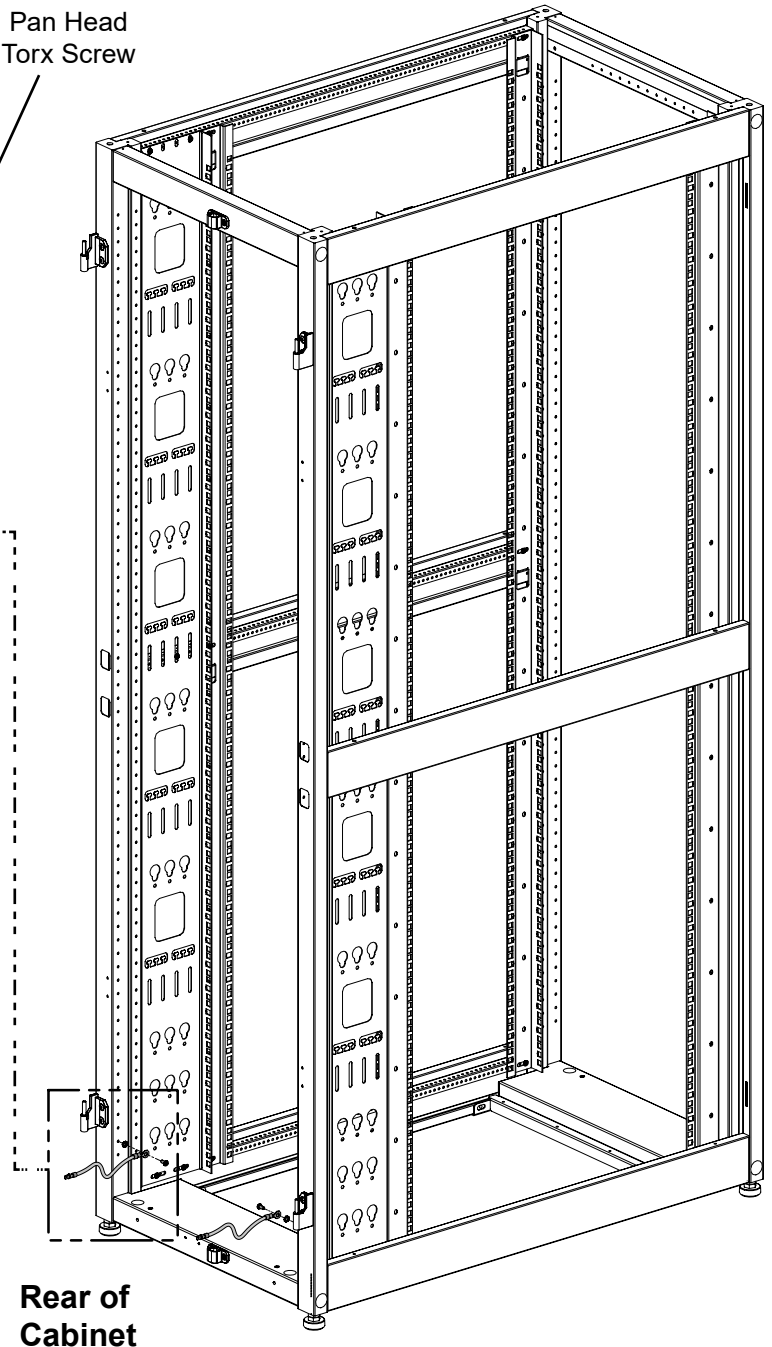
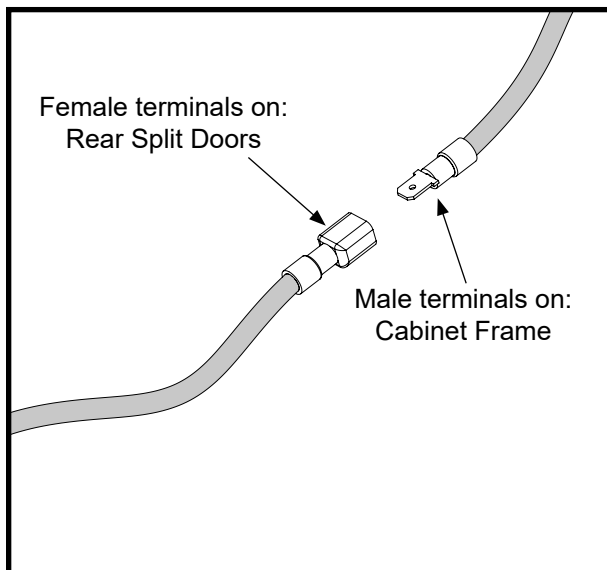
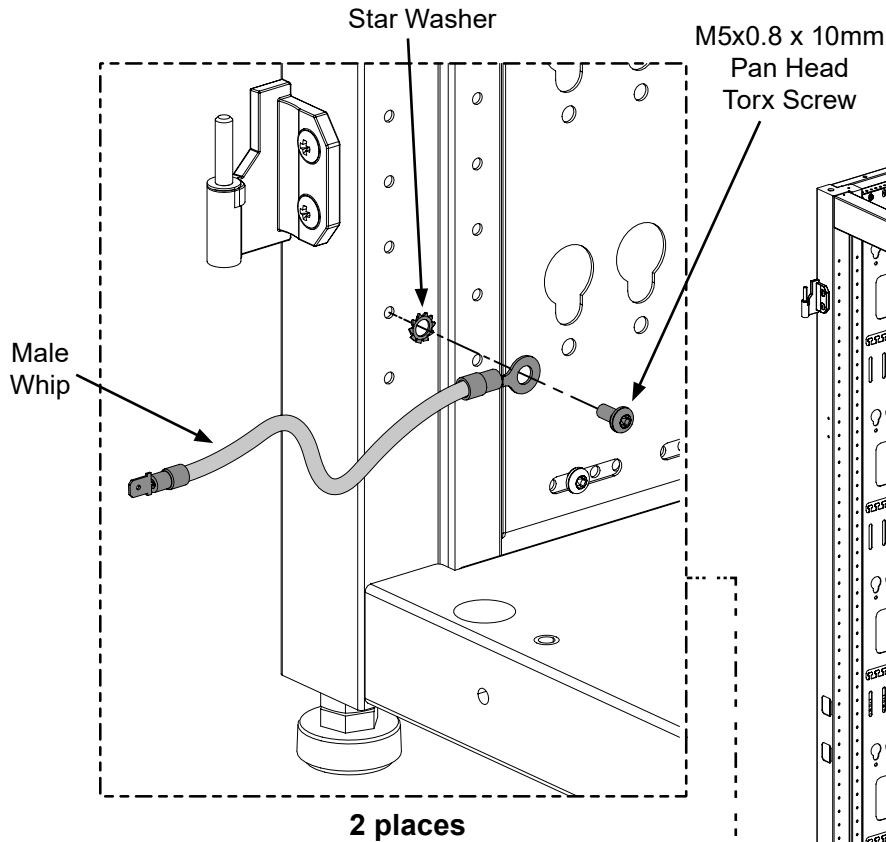
### Electrical Shock Hazard

Each cabinet must be connected to the Common Bonding Network (CBN).

**FAILURE TO FOLLOW THESE INSTRUCTIONS CAN LEAD TO SERIOUS INJURY, DEATH, OR DAMAGE TO YOUR EQUIPMENT.**

### Grounding

- If necessary, attach the provided Male Whips to the rear of the Cabinet where shown.
- After installation of the Rear Split Doors, connect the Male Whips from the Cabinet to the Female Whips on the Rear Split Doors.

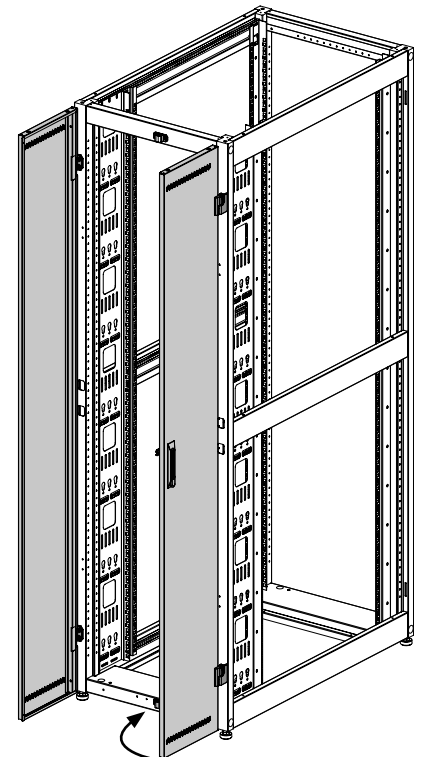
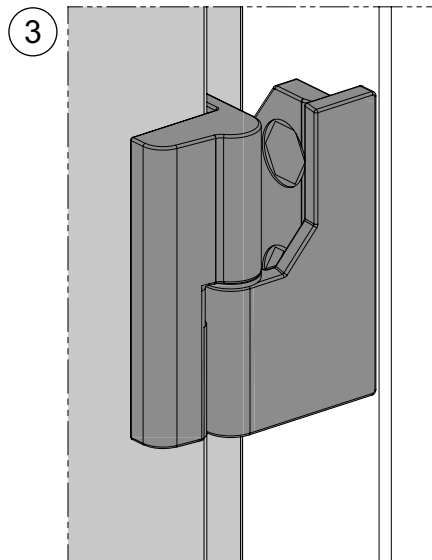
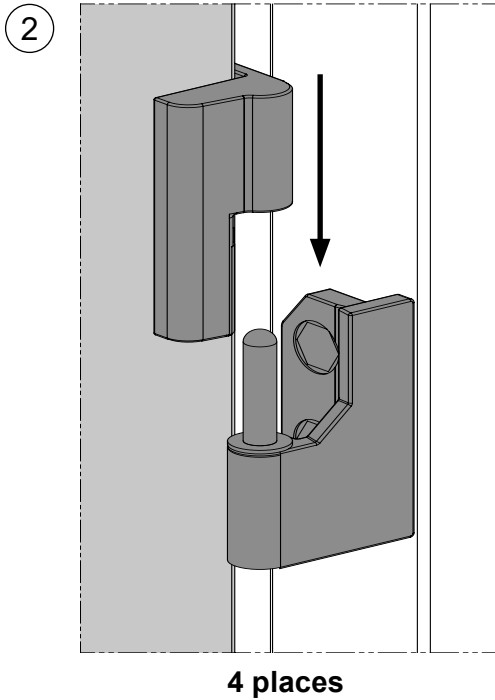
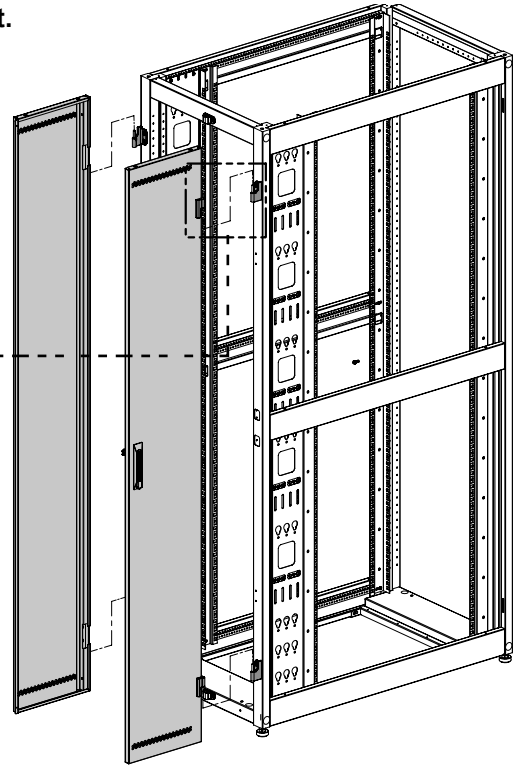
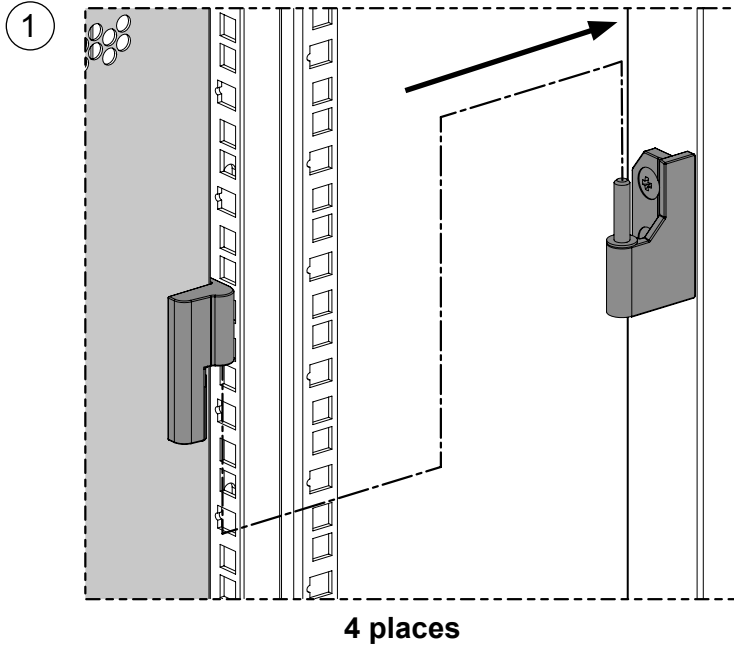


For Technical Support: [www.panduit.com/resources/install\\_maintain.asp](http://www.panduit.com/resources/install_maintain.asp)

## Install Rear Split Doors

- Position Rear Split Doors approximately 90° to Cabinet frame.
- Place Rear Split Doors female hinges onto the male hinges on the Cabinet frame.
- Attach grounding terminals (see page 3).
- **Reverse Steps** to remove Front Door.

**Note:** Top hinge pins are longer than bottom pins. Align Top pins first.



For Instructions in Local Languages  
and Technical Support:

[www.panduit.com/resources/install\\_maintain.asp](http://www.panduit.com/resources/install_maintain.asp)

**PANDUIT**  
www.panduit.com

E-mail:  
[techsupport@panduit.com](mailto:techsupport@panduit.com)

Phone:  
866-405-6654