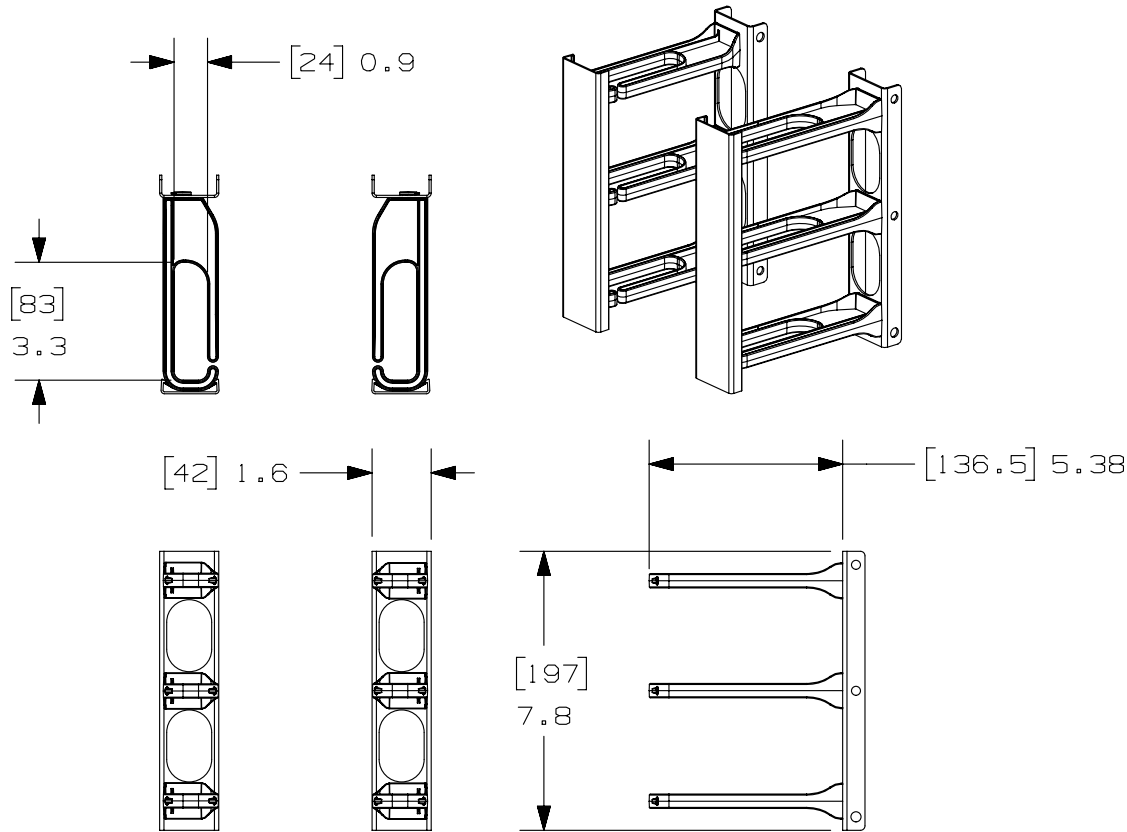


THIS COPY IS PROVIDED ON A RESTRICTED BASIS AND IS NOT TO BE USED IN ANY WAY DETRIMENTAL TO THE INTERESTS OF PANDUIT CORP.



COVERS NOT SHOWN FOR CLARITY

PANDUIT PART NO.	WEIGHT
PZLRB4P4SR	2.00 LBS 0.9 kg

NOTES:

1. SEE CURRENT CATALOG FOR ADDITIONAL PART NUMBER SUFFIXES TO INDICATE COLOR AND OR PACKAGE QUANTITY.
2. SEE CATALOG FOR COMPLETE LIST OF PARTS APPLICABLE FOR USE WITH THIS PART.
3. DIMENSIONS IN PARENTHESES ARE IN METRIC.
4. PART INCLUDES:  
2- 4RU MOUNT PANELS  
2- PANEL COVERS  
6- D-RING CABLE MANAGER  
6- MOUNT SCREWS

TITLE <b>PZLRB4P4SR VERTICAL RING MANAGER FOR 4 POST OVERHEAD RACK CUSTOMER DRAWING</b>				
ITEM REVISION NAME 12V316AF/00			<b>PANDUIT</b> <sup>TM</sup>	
DATASET FILE NAME 12V316AF_DC/00A				
UNLESS OTHERWISE SPECIFIED, DIMENSIONAL TOLERANCES ARE: IN ( mm )				
.x ± .1 [ 2.54 ]		.xxx ± .005 [ .127 ]		
.xx ± .01 [ .25 ]		ANGLES ± 5 °		
DRAWING NUMBER: 12V316AF_DC			MATERIAL: SEE NOTES	
DRAWN BY RYB			DATE 2/5/13	
THIRD ANGLE PROJECTION			SCALE NONE	
SHT 1 OF 2			SIZE A	

00A	2/5/13	RYB		RELEASED TO PRODUCTION	12V316AF_DC	
REV	DATE	BY	CHK	APR	DESCRIPTION	ECN

D10100DA/12

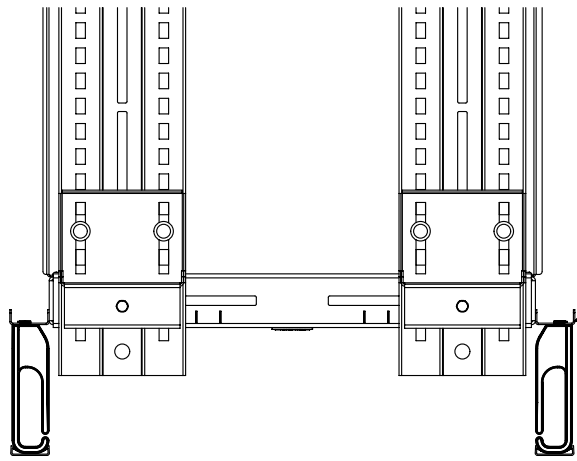
2

1

2

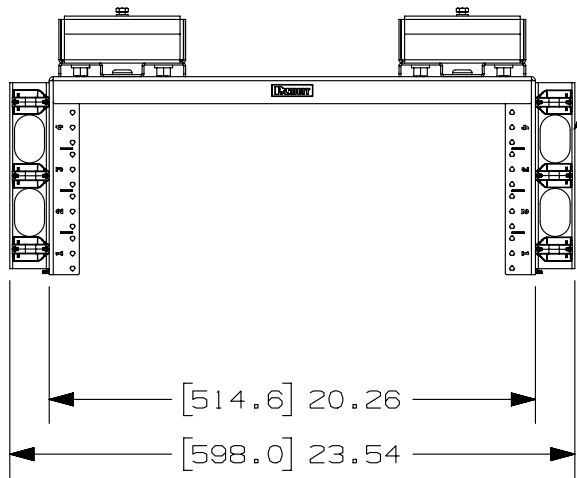
1

THIS COPY IS PROVIDED ON A RESTRICTED BASIS AND IS NOT TO BE USED IN ANY WAY DETRIMENTAL TO THE INTERESTS OF PANDUIT CORP.

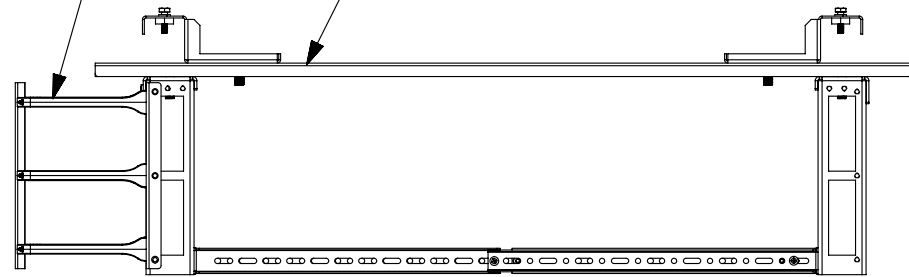


PZLRB4P4SR CABLE MANAGER  
SHOWN ATTACHED TO PZLRB4P4  
RACK AT FRONT CORNERS,  
CAN BE REAR MOUNTED AS WELL  
( RACK NOT INCLUDED )

PZLRB4P4 OVERHEAD  
FOUR POST RACK  
( NOT INCLUDED )



COVERS NOT SHOWN FOR CLARITY



TITLE		PZLRB4P4SR VERTICAL RING MANAGER FOR 4 POST OVERHEAD RACK CUSTOMER DRAWING	
ITEM REVISION NAME		12V316AF/00	
DATASET FILE NAME		12V316AF_DC/00A	
UNLESS OTHERWISE SPECIFIED, DIMENSIONAL TOLERANCES ARE: IN [ mm ]		MATERIAL:	
.x ± .1 [ 2.54 ] .xxx ± .005 [ .127 ]		SEE NOTES	
.xx ± .01 [ .25 ] ANGLES ± 5 °		DRAWING NUMBER:	
 THIRD ANGLE PROJECTION		12V316AF_DC	
DRAWN BY	DATE	CHK	SCALE
RYB	2/5/13		NONE
REV	DATE	BY	CHK
00A	2/5/13	RYB	
DESCRIPTION		APR	ECN
SEE SHEET 1 OF 2			12V316AF_DC
SHT 2 OF 2		SIZE	A

D10100DA/12