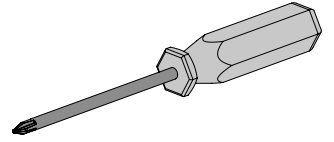


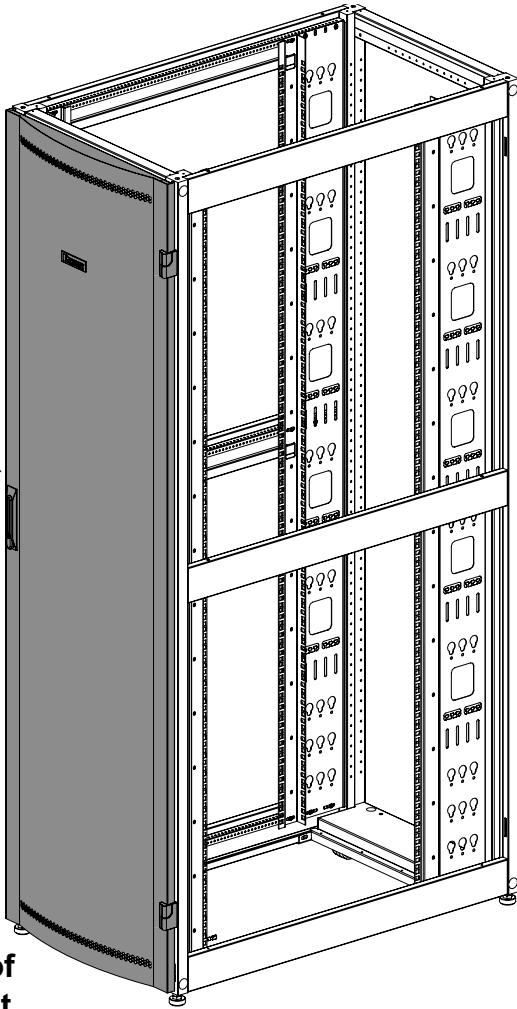
#### Tool List:

- T25 Torx driver
- Phillips Screwdriver



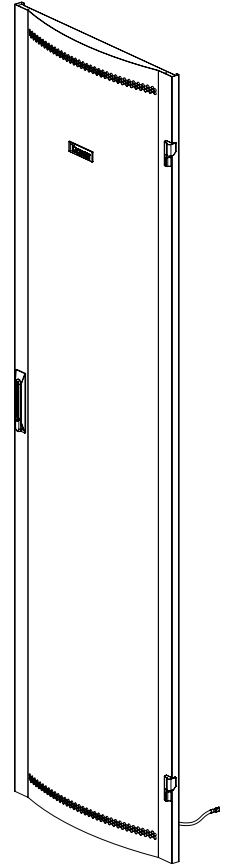
D\*\*FDE\* Installed

Front of Cabinet

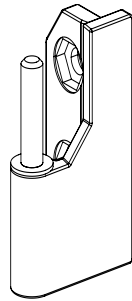


Net-Verse D-Type Enhanced Cabinet

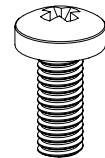
Cabinet Front Door Enhanced  
Qty: 1



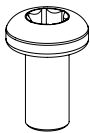
12AWG Male Ground Whip  
Qty: 1



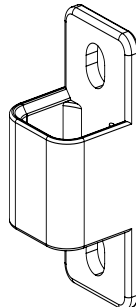
Male Door Hinge  
(Top Hinge is longer)  
Qty: 2



M6x1.0 x 15mm  
Pan-Head Phillips Machine Screw  
Qty: 4



M5x0.8 x 10mm  
Pan Head Torx Screw  
Qty: 5



Front Door Catch  
Qty: 2

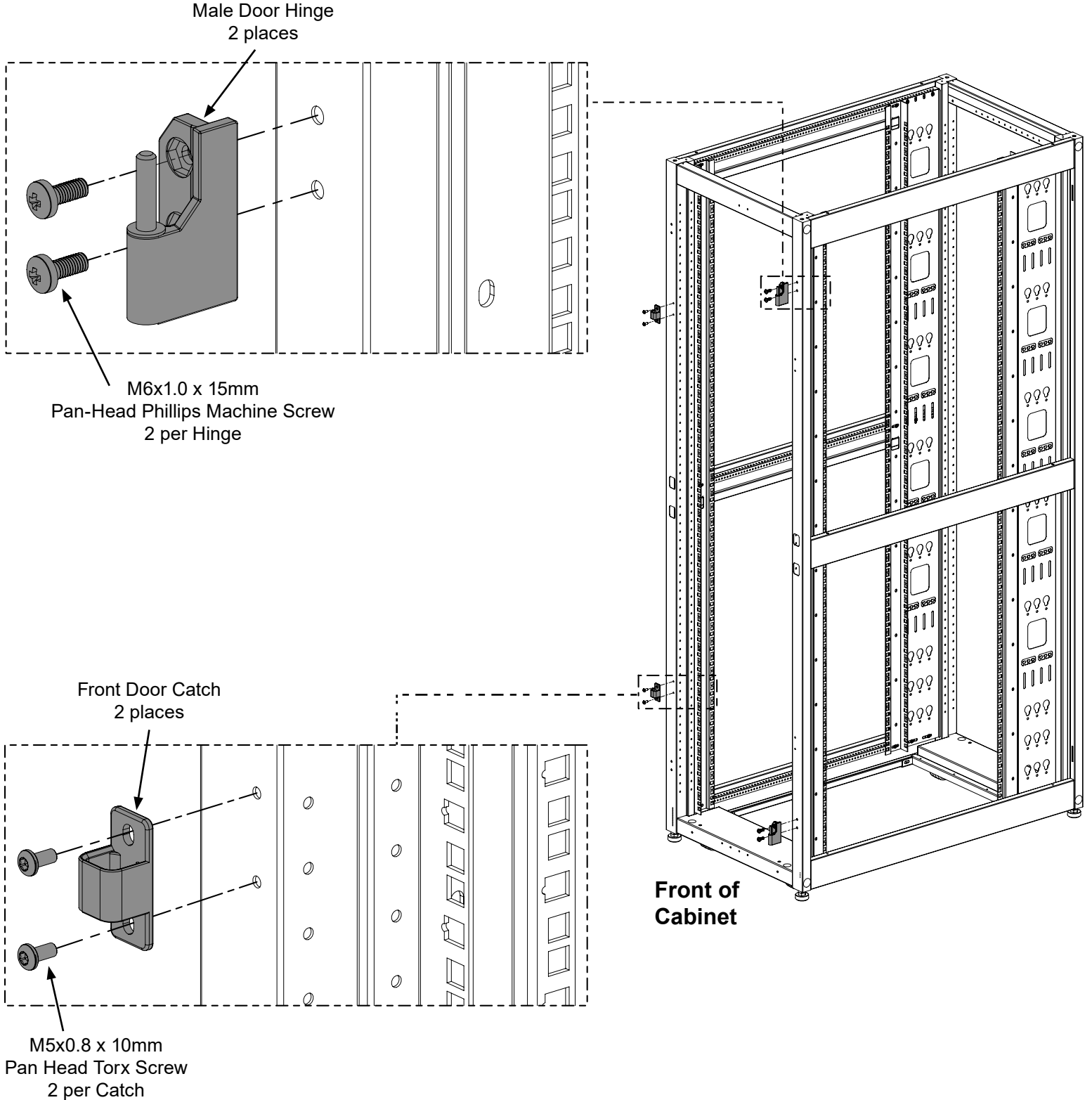


M6 Star Washer  
Qty: 1

## Install Male Door Hinges and Door Catches (If not already present)

- Install (2) Male Door Hinges to the side that the door will open towards.
- Install (2) Door Catches to the opposite side.

**NOTE:** The top Hinge Pins are longer than the bottom Hinge Pins. Verify the Hinge Pin lengths prior to installation.



 **DANGER**

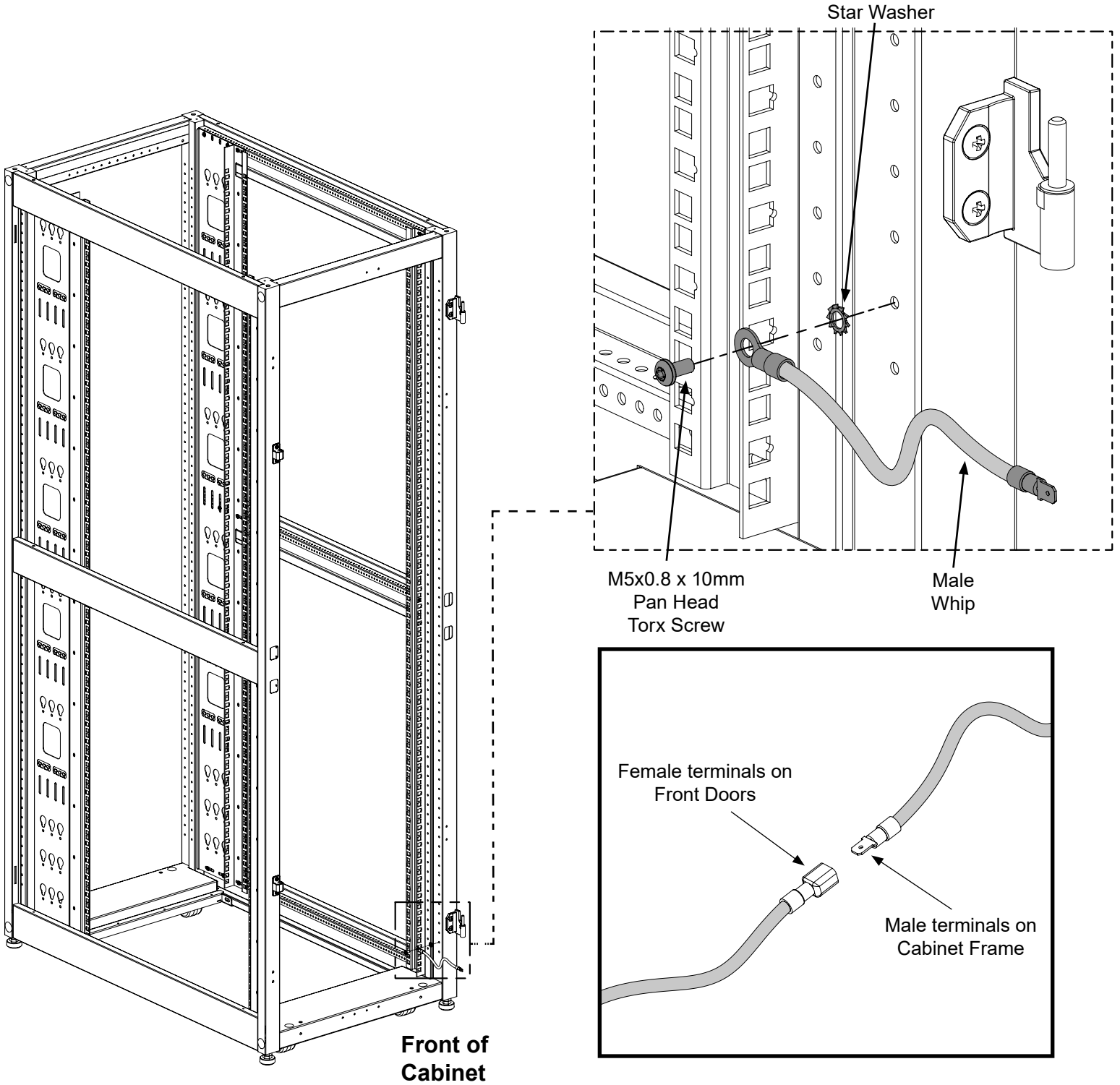
**Electrical Shock Hazard**

Each cabinet must be connected to the Common Bonding Network (CBN).

**FAILURE TO FOLLOW THESE INSTRUCTIONS CAN LEAD TO SERIOUS INJURY, DEATH, OR DAMAGE TO YOUR EQUIPMENT.**

**Grounding**

- If necessary, attach the provided Male Whip to the front of the Cabinet where shown.
- After installation of Front Door, connect the Male Whip from the Cabinet to the Female Whip on the Front Door.

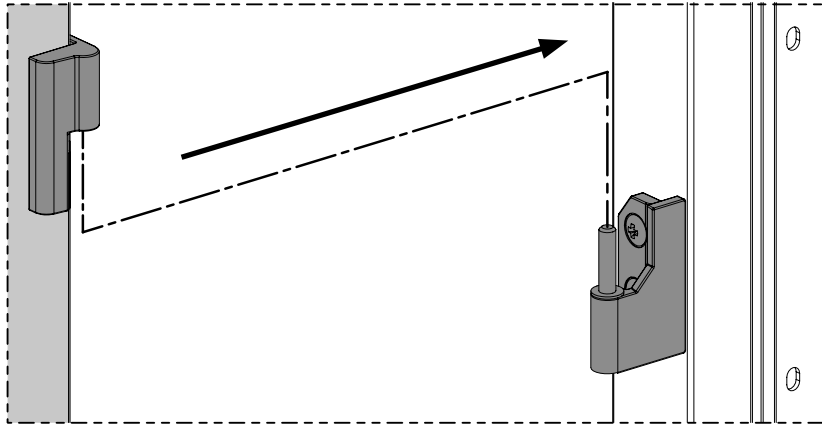


## Install Front Door

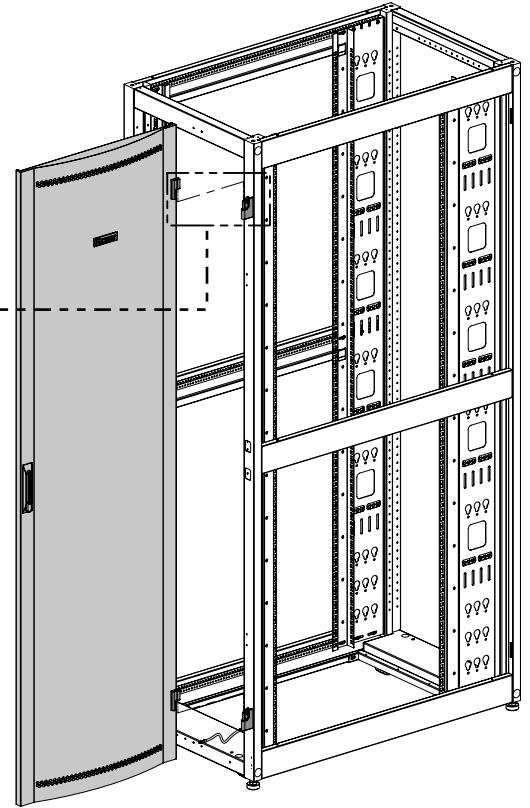
- Position Front Door approximately 90° to Cabinet frame.
- Place Front Doors female hinges onto the male hinges on the Cabinet frame.
- Attach grounding terminals (see page 3).
- **Reverse Steps** to remove Front Door.

**Note:** Top hinge pins are longer than bottom pins. Align Top pins first.

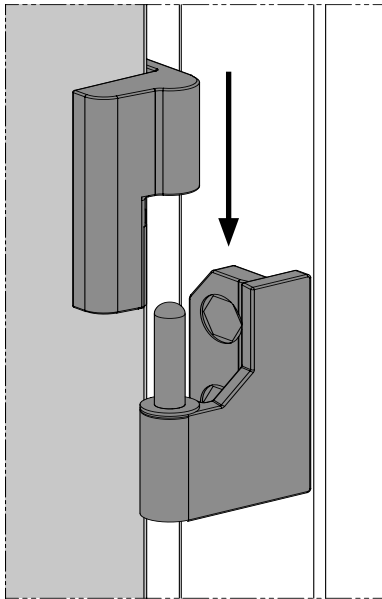
1



2 Places

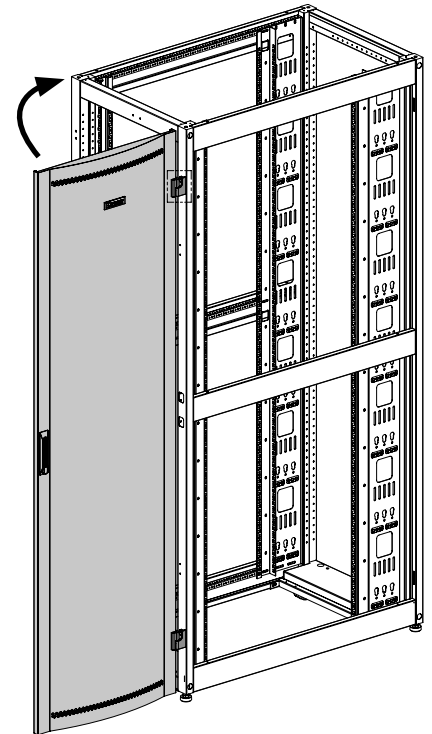
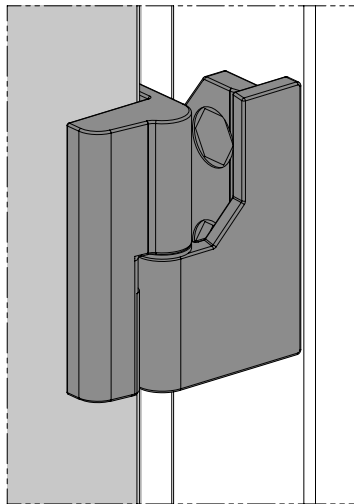


2



2 Places

3



For Instructions in Local Languages  
and Technical Support:

[www.panduit.com/resources/install\\_maintain.asp](http://www.panduit.com/resources/install_maintain.asp)

**PANDUIT**

[www.panduit.com](http://www.panduit.com)

E-mail:  
[techsupport@panduit.com](mailto:techsupport@panduit.com)

Phone:  
866-405-6654