

## SPECIFICATIONS

The Multiport Service Terminal (MST) shall include models with 4, 8, and 12 ports. Each MST shall be configured for different deployment distances of 200 feet and 500 feet, catering to diverse network needs. Terminals shall be available in toneable and non-toneable models, enhancing flexibility for network diagnostics and maintenance. They shall be engineered for efficient fiber optic distribution, supporting scalable deployments in various environments such as underground, aerial, and surface-mounted setups, making them integral for expanding fiber-to-the-x (FTTx) networks.



## TECHNICAL INFORMATION

Attributes:	Part Number	No. of Ports	Height in. (mm)	Width in. (mm)	Length in. (mm)
	P-MST-4*-^	4	3.31 (84.1)	5.09 (129.5)	11.12 (282.4)
	P-MST-8*-^	8			16.32 (414.5)
	P-MST-12*-^	12			21.53 (546.9)
*Add D for Dielectric/Non-Toneable or T for Toneable					
<b>Cable type:</b>	Dielectric/Non-Toneable and Toneable				
<b>Cable stub length:</b>	200 ft. - 500 ft. (60.96m - 152m)				
<b>Cable outer diameter:</b>	Dielectric: 0.17 in. x 0.31 in. (4.3mm x 8.0mm) Toneable: 0.17 in. x 0.4 in. (4.3mm x 10mm)				
<b>Qualification standards:</b>	IEC 60529, IP68 + 2 m Waterhead, Telcordia GR-3120-CORE, Telcordia GR-326-CORE, Telcordia GR-771-CORE				
<b>Flammability rating:</b>	Designed to meet or exceed 94 5VA				
<b>Relative humidity:</b>	5%-100%, condensing				
<b>Environmental space:</b>	Above ground / Below ground				
<b>UV resistance:</b>	UV Stabilized				
<b>RoHS compliance:</b>	Compliant				
<b>Port type:</b>	Hardened full-size SC/APC				
<b>Splitter:</b>	Without Splitter				
<b>Mounting:</b>	Handhole, Pedestal, Pole, Strand				
<b>Stub type:</b>	Unterminated				
<b>Fiber type:</b>	G.657.A1/A2				
<b>Operating wavelength range:</b>	1260 nm - 1635 nm				
<b>Attenuation single ports (maximum):</b>	0.4 dB				
<b>Attenuation cable coefficient (maximum):</b>	0.30 dB/km@1550 nm 0.40 dB/km@1310 nm				
<b>Return loss, connector (typical):</b>	-65 dB				
<b>Operating temperature:</b>	-40°C to +70°C (-40°F to +158°F)				
<b>Color:</b>	Black				
<b>Material:</b>	Gasketed hardened plastic				

## KEY FEATURES AND BENEFITS

<b>Hardened terminals:</b>	Designed to withstand the harsh outside environment
<b>Ease of use:</b>	Smaller size terminal is ideal for tight spaces and are quick to install
<b>Mounting options:</b>	Handhole, pedestal, pole or strand
<b>Cable options:</b>	Flat dielectric, flat toneable
<b>Port options:</b>	4, 8 and 12

### Non-Toneable (Dielectric) Service Terminal

<b>4-port:</b>	P-MST-4D-^
<b>8-port:</b>	P-MST-8D-^
<b>12-port:</b>	P-MST-12D-^

### Toneable Service Terminal

<b>4-port:</b>	P-MST-4T-^
<b>8-port:</b>	P-MST-8T-^
<b>12-port:</b>	P-MST-12T-^

### Accessories

<b>Strand Mounting Bracket Kit:</b>	P-MST-ASB
-------------------------------------	-----------

^Foot Lengths: 200 ft. and 500 ft.



All Part Numbers Compliant with the U.S. Trade Agreements Act (TAA) for purchases shipped to the United States.

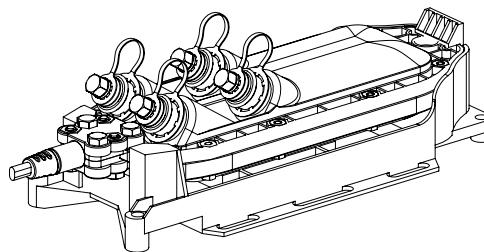
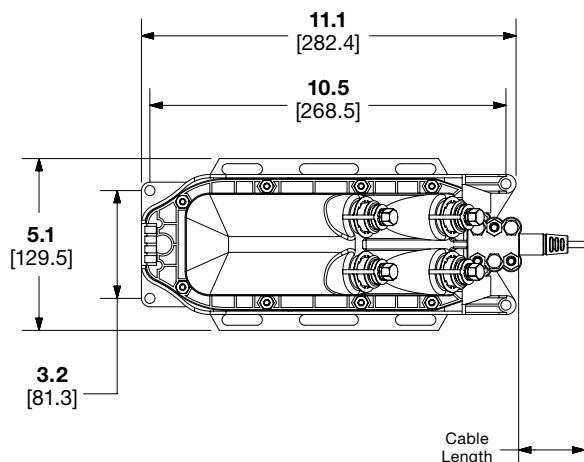
# Multiport Service Terminals

## APPLICATIONS

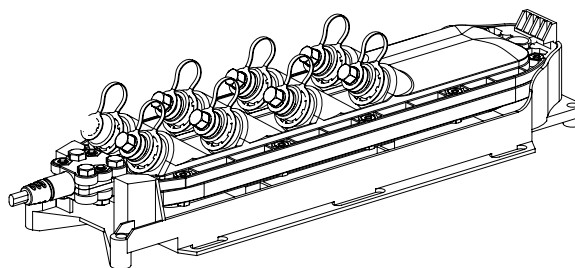
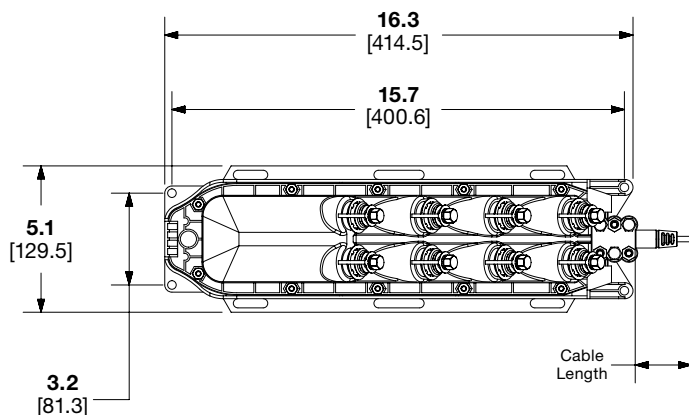
Multiport Service Terminals are designed for diverse telecommunications applications, accommodating 4, 8, and 12 ports with deployment lengths of 200 feet and 500 feet, suitable for toneable and non-toneable configurations. These terminals enhance the flexibility and reliability of fiber optic networks, supporting a wide range of fiber-to-the-x (FTTx) deployments. Their adaptability makes them ideal for both urban and rural network expansions, ensuring efficient connectivity solutions for service providers looking to upgrade or extend their infrastructure.

## ENGINEERING DRAWINGS

**P-MST-4D-^ and P-MST-4T-^**



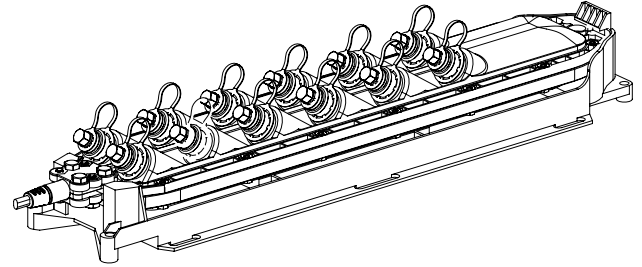
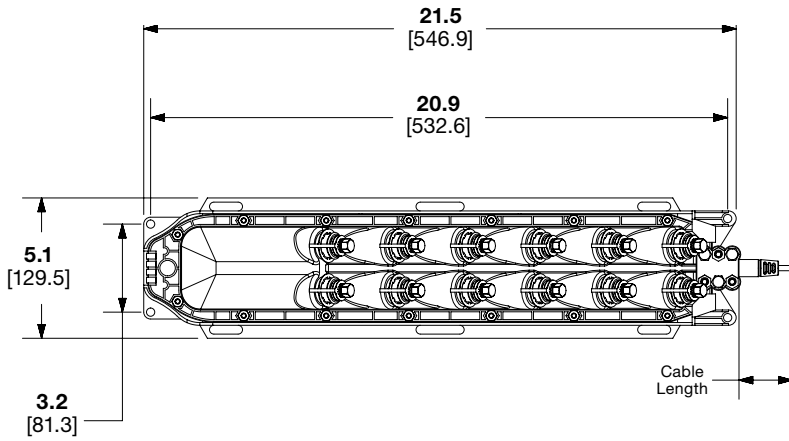
**P-MST-8D-^ and P-MST-8T-^**



# Multiport Service Terminals

## ENGINEERING DRAWINGS (CONTINUED)

P-MST-12D-^ and P-MST-12T-^



Dimensions are in inches. [Dimensions in brackets are metric].

### WORLDWIDE SUBSIDIARIES AND SALES OFFICES

PANDUIT US/CANADA  
Phone: 800.777.3300

PANDUIT EUROPE LTD.  
London, UK  
Phone: 44.20.8601.7200

PANDUIT SINGAPORE PTE. LTD.  
Republic of Singapore  
Phone: 65.6305.7575

PANDUIT JAPAN  
Tokyo, Japan  
Phone: 81.3.6863.6000

PANDUIT LATIN AMERICA  
Guadalajara, Mexico  
Phone: 52.33.3777.6000

PANDUIT AUSTRALIA PTY. LTD.  
Victoria, Australia  
Phone: 61.3.9794.9020

For a copy of Panduit product warranties, log on to [www.panduit.com/warranty](http://www.panduit.com/warranty)

For more information

Visit us at [www.panduit.com](http://www.panduit.com)  
Contact Customer Service by email: [cs@panduit.com](mailto:cs@panduit.com)  
or by phone: 800.777.3300

**PANDUIT**<sup>®</sup>

© 2024 Panduit Corp.  
ALL RIGHTS RESERVED.  
FBSP265-WW-ENG  
6/2024