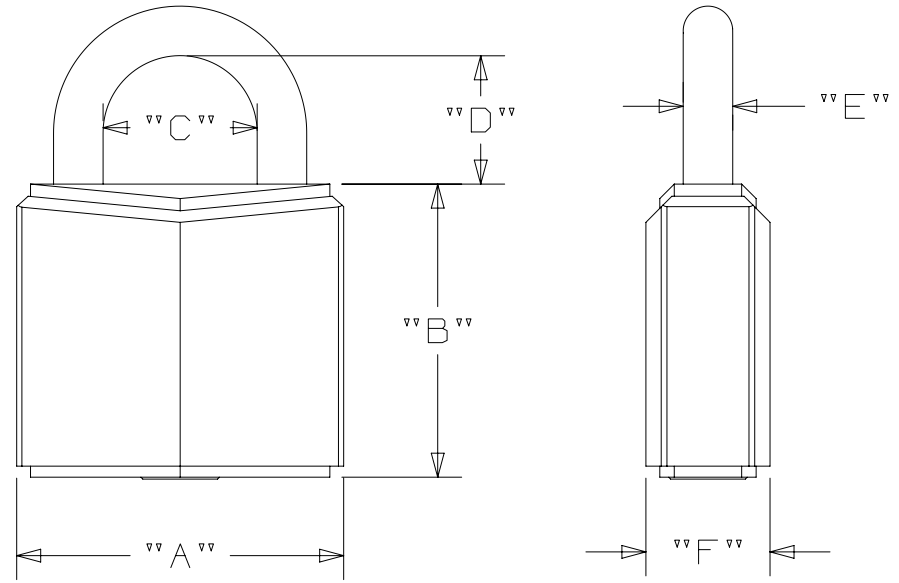


THIS COPY IS PROVIDED ON A RESTRICTED BASIS AND IS NOT TO BE USED IN ANY WAY DETRIMENTAL TO THE INTERESTS OF PANDUIT CORP.



NOTES:

- 1) DIMENSIONS IN [] ARE MILLIMETERS
- 2) 5 PIN CYLINDER
- 3) AVAILABLE WITH CUSTOM KEYING

	DIM "A"	DIM "B"	DIM "C"	DIM "D"	DIM "E"	DIM "F"
PSL-17ABL	1.70 [43.3]	1.53 [38.8]	0.80 [20.4]	0.80 [20.3]	0.26 [6.6]	0.65 [16.4]
PSL-17BBL	2.10 [53.3]	1.35 [34.3]	1.00 [25.5]	0.96 [24.4]	0.29 [7.4]	0.72 [18.2]

REV	DATE	BY	CHK	APR	DESCRIPTION	ECN	DRAWN BY	DATE	CHK	SCALE	SHT 1 OF 1	SIZE
00	02/08/2018	AUMA	DJW	JHAC	Initial Release	GAECN05194	AUMA	1/30/18	JHAC	1:1	SHT 1 OF 1	A

TITLE		PSL-17 Series Non Sparking Padlocks	
ITEM REVISION NAME		00220NCX/00	
DATASET FILE NAME		00220NCX_C11719/00A	
UNLESS OTHERWISE SPECIFIED, DIMENSIONAL TOLERANCES ARE: IN [mm]		MATERIAL:	
.x ± .25 [6.35] .xxx ± .05 [1.27]		Brass & Plastic	
.xx ± .15 [3.81] ANGLES ± 5 °		DRAWING NUMBER:	
THIRD ANGLE PROJECTION		C11719	