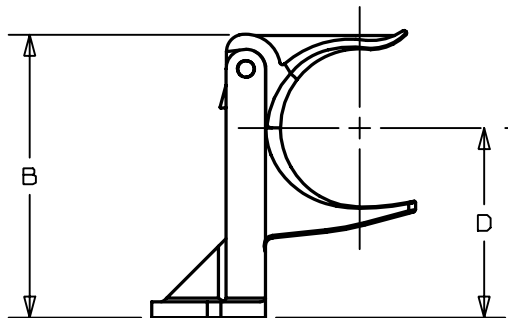
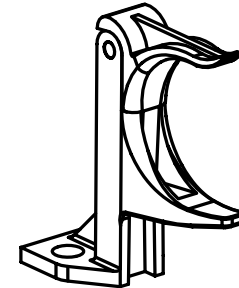
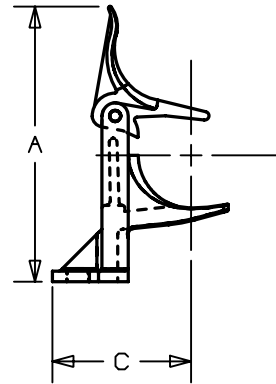
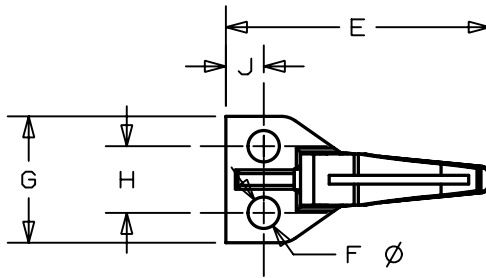


THIS COPY IS PROVIDED ON A RESTRICTED BASIS AND IS NOT TO BE USED IN ANY WAY DETRIMENTAL TO THE INTERESTS OF PANDUIT CORP.

PANDUIT PART NUMBER	MAX. BUNDLE DIA IN (MM)	RECM. FASTENER	DIMENSIONS									WEIGHT LB./100pcs. (g)
			"A" REF	"B"	"C" REF	"D" REF	"E" REF	"F" REF	"G"	"H" REF	"J" REF	
CPH.75-S8	0.75 (19.0)	#8 SCREW (M4)	2.48 (63.0)	1.88 (47.75)	1.18 (30.0)	1.35 (34.4)	1.60 (40.8)	0.172 ±0.008 (4.4) (0.2)	0.90 (22.9)	0.528 (13.4)	0.17 (4.3)	1.4 (641)
CPL.75-S8	0.75 (19.0)	#8 SCREW (M4)	1.69 (42.9)	1.08 (27.43)	1.11 (28.2)	0.56 (14.2)	1.52 (38.6)	0.172 ±0.008 (4.4) (0.2)	0.88 (22.4)	0.568 (14.4)	0.16 (4.0)	1.0 (454)

NOTES:

1. SEE CURRENT PRICE SHEET FOR PART NUMBER SUFFIX DESIGNATION FOR PACKAGE SIZE.
2. COLOR: BLACK



DIMENSIONS IN BRACKETS ARE METRIC [mm]	
CAD FILENAME/LAYER: G00239HJ_LP1_CPHCPL_03	
PANDUIT CORP. TINLEY PARK, ILLINOIS	
CORNER POST HIGH, CPH.75-S8 CORNER POST LOW, CPL.75-S8	
UNLESS OTHERWISE SPECIFIED, DIMENSIONAL TOLERANCES ARE: (.X) ±0.05 (1.3) (.XXX) ±0.010 (0.25) (.XX) ±0.02 (0.5) ANGLES ± 5°	UNLESS OTHERWISE SPECIFIED, ALL DIMENSIONS ARE GIVEN IN INCHES, THIRD ANGLE PROJECTION.
DRAWN BY JAD	MAT'L: ARM-NYLON 6/6, BASE-GLASS FILLED NYLON 6/6
DATE 6/14/01	SCALE NONE
REV 3	DWG NO. GB0239HJ
DATE 12/5/03	SIZE A
BY JAD	
CHK	
DESCRIPTION: CHANGED DIM 'B' FOR CPH.75	ECN - R
	CUST SUP

3	12/5/03	JAD		CHANGED DIM 'B' FOR CPH.75	GB0239HJ	3			
REV	DATE	BY	CHK	DESCRIPTION	ECN	R	CUST	SUP	