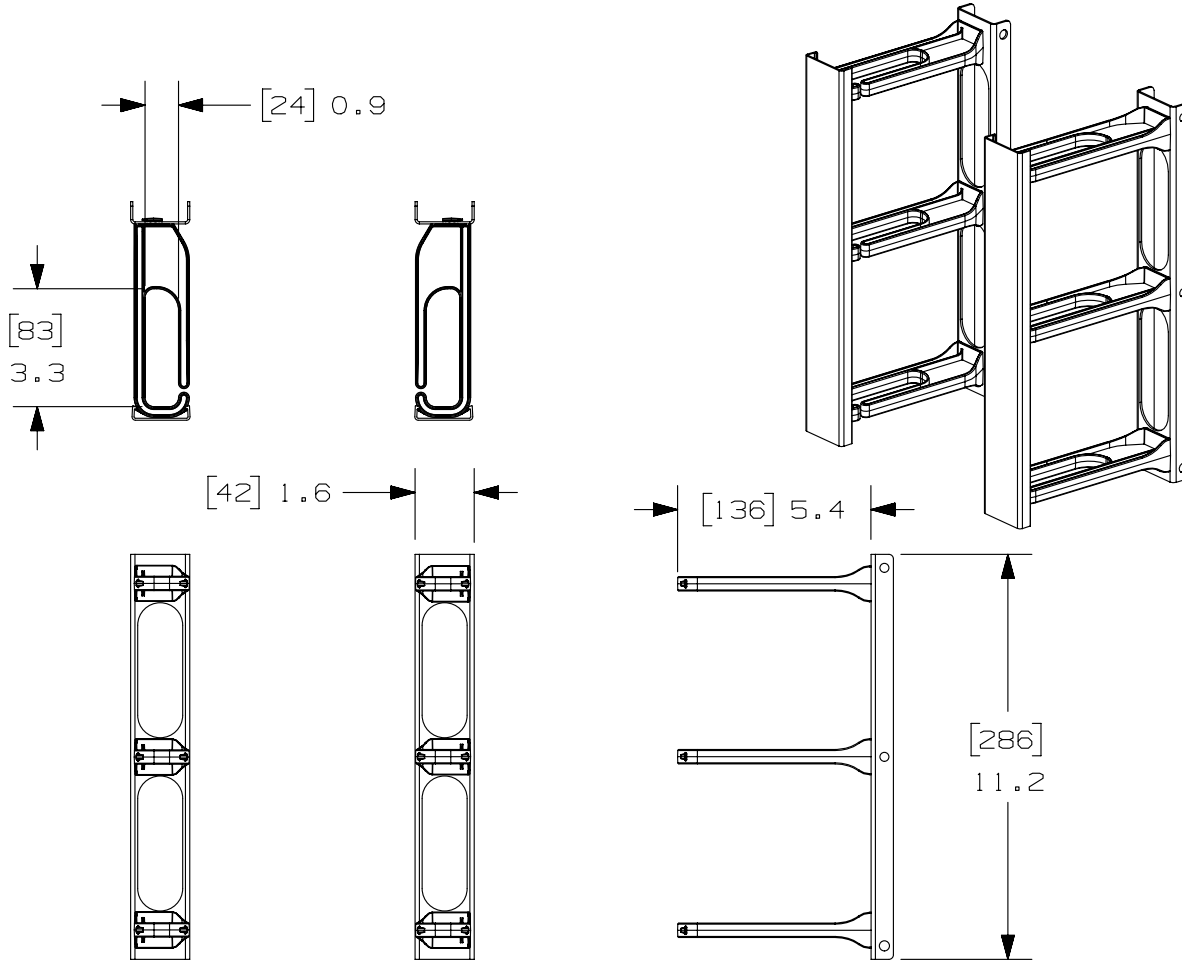


THIS COPY IS PROVIDED ON A RESTRICTED BASIS AND IS NOT TO BE USED IN ANY WAY DETRIMENTAL TO THE INTERESTS OF PANDUIT CORP.



PANDUIT PART NO.	WEIGHT
PZLRB4P6SR	2.00 LBS 0.9 kg

- NOTES:
- SEE CURRENT CATALOG FOR ADDITIONAL PART NUMBER SUFFIXES TO INDICATE COLOR AND OR PACKAGE QUANTITY.
 - SEE CATALOG FOR COMPLETE LIST OF PARTS APPLICABLE FOR USE WITH THIS PART.
 - DIMENSIONS IN PARENTHESES ARE IN METRIC.
 - PART INCLUDES:
2- 6RU MOUNT PANELS
2- PANEL COVERS
6- D-RING CABLE MANAGER
6- MOUNT SCREWS

COVERS NOT SHOWN FOR CLARITY

REV	DATE	BY	CHK	APR	DESCRIPTION	ECN
00A	2/5/13	RYB			RELEASED TO PRODUCTION	12V316AG-DC

TITLE PZLRB4P6SR VERTICAL RING MANAGER FOR 4 POST OVERHEAD RACK CUSTOMER DRAWING	
ITEM REVISION NAME 12V316AG/00	PANDUIT TM
DATASET FILE NAME 12V316AG_DC/00A	
UNLESS OTHERWISE SPECIFIED, DIMENSIONAL TOLERANCES ARE: IN (mm) .x ± .1 (2.54) .xxx ± .005 (.127) .xx ± .01 (.25) ANGLES ± 5 °	
THIRD ANGLE PROJECTION	
DRAWN BY RYB	DATE 2/5/13
CHK	SCALE NONE
DRAWING NUMBER: 12V316AG_DC	
SHT 1 OF 2	
SIZE A	

D10100DA/12

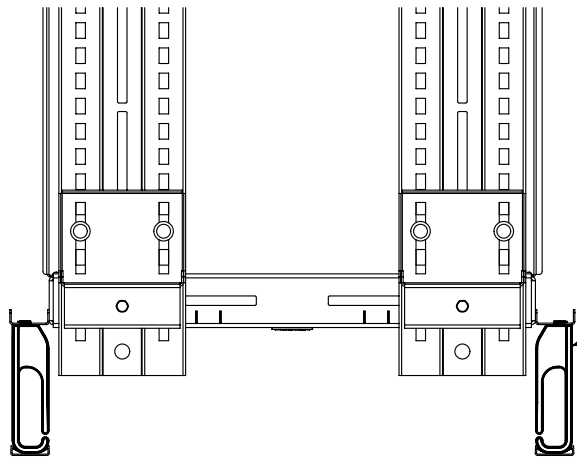
2

1

2

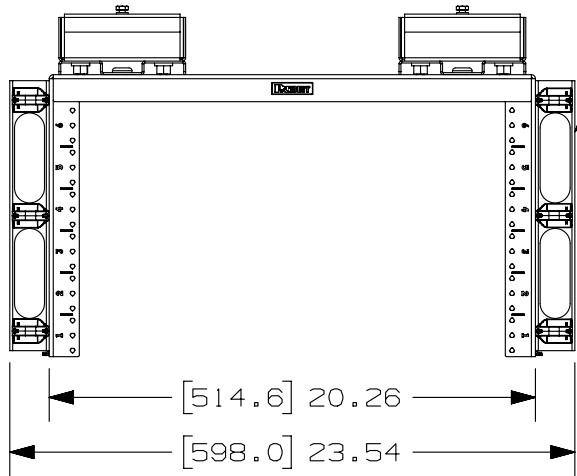
1

THIS COPY IS PROVIDED ON A RESTRICTED BASIS AND IS NOT TO BE USED IN ANY WAY DETRIMENTAL TO THE INTERESTS OF PANDUIT CORP.



PZLRB4P6SR CABLE MANAGER
SHOWN ATTACHED TO PZLRB4P6
RACK AT FRONT CORNERS,
CAN BE REAR MOUNTED AS WELL
(RACK NOT INCLUDED)

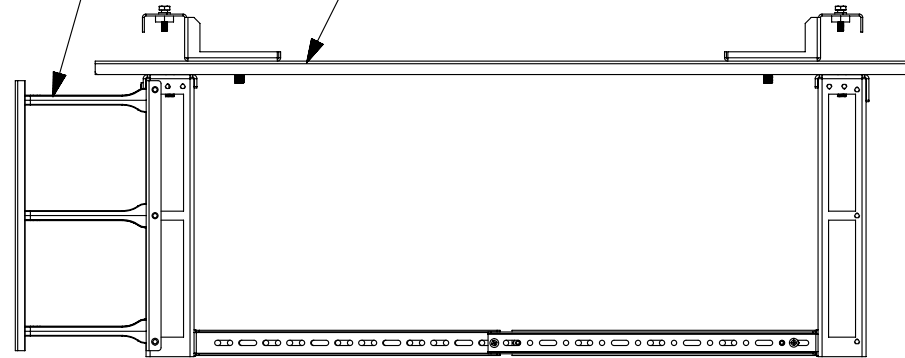
PZLRB4P6 OVERHEAD
FOUR POST RACK
(NOT INCLUDED)



[514.6] 20.26

[598.0] 23.54

COVERS NOT SHOWN FOR CLARITY



TITLE

PZLRB4P6SR VERTICAL RING MANAGER FOR 4 POST
OVERHEAD RACK CUSTOMER DRAWING

ITEM REVISION NAME

12V316AG/00

DATASET FILE NAME

12V316AG_DC/00A

UNLESS OTHERWISE SPECIFIED,
DIMENSIONAL TOLERANCES ARE: IN (mm)

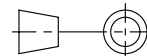
.x ± .1 (2.54) .xxx ± .005 (.127)
.xx ± .01 (.25) ANGLES ± 5 °

MATERIAL:

SEE NOTES

DRAWING NUMBER:

12V316AG_DC



THIRD ANGLE
PROJECTION

00A	2/5/13	RYB			SEE SHEET 1 OF 2			12V316AG_DC	
REV	DATE	BY	CHK	APR	DESCRIPTION			ECN	

DRAWN BY

DATE

RYB 2/5/13

CHK

SCALE

NONE

SHT 2 OF 2

SIZE

A

2

1

D10100DA/12