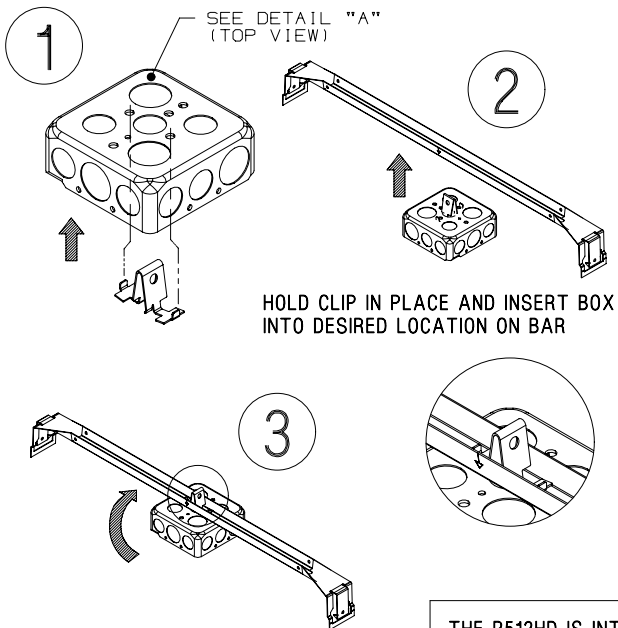
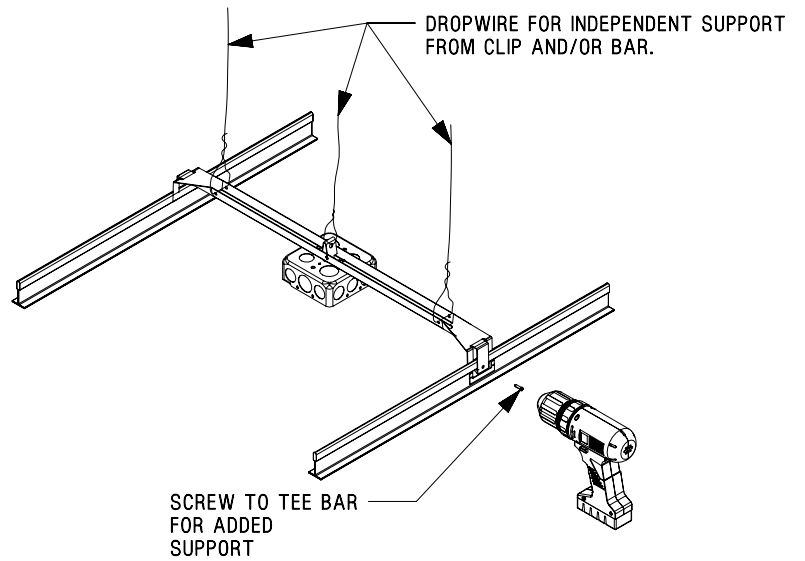
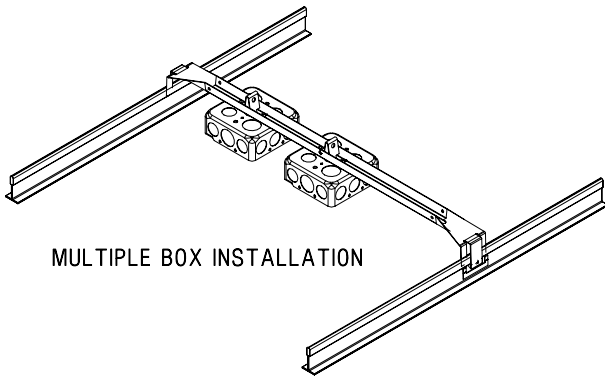
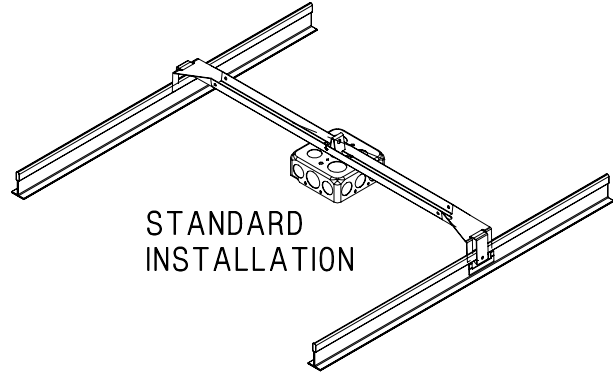
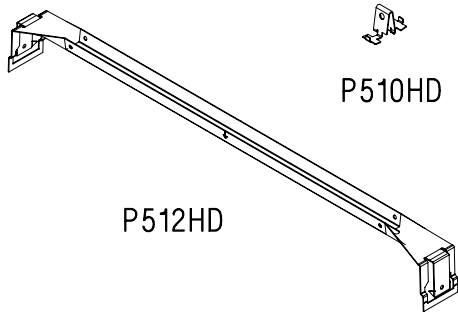


INSTRUCTION SHEET

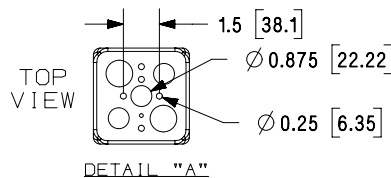
# P512HD T-GRID BOX HANGER ASSEMBLY

| PART NUMBER | DESCRIPTION  |
|-------------|--|
| P512HD      | HEAVY DUTY ELECTRICAL BOX HANGER WITH BOX MOUNTING CLIP, 24" SPAN          |
| P510HD      | BOX MOUNTING CLIP ONLY, SHOWN IN SINGLE BOX AND MULTIPLE BOX INSTALLATIONS |



ROTATE BOX ASSEMBLY CLOCKWISE TO LOCK BOX INTO PLACE (LOCKING TABS ON BOX CLIP SHOULD ENGAGE SLOTS IN BAR HANGER)

THE P512HD IS INTENDED TO BE USED WITH ELECTRICAL BOXES THAT HAVE A CENTRAL KNOCKOUT AND TWO SMALLER POSITIONING HOLES AS SHOWN IN THE DRAWING.



**PANDUIT**

B20913. REV. 01