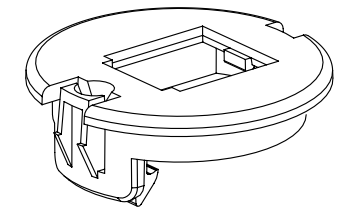
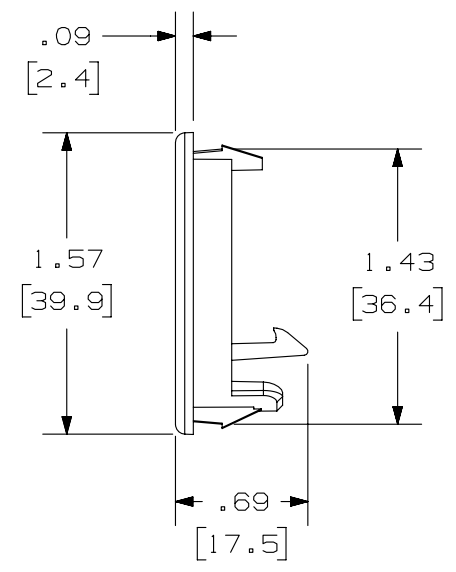
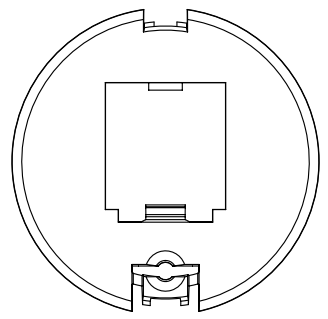


THIS COPY IS PROVIDED ON A RESTRICTED BASIS AND IS NOT TO BE USED IN ANY WAY DETRIMENTAL TO THE INTERESTS OF PANDUIT CORP.

PANDUIT P/N	WEIGHT
CFFPR1** -X	.10 LB/10 PCS (44.8 g/10 PCS)

- NOTES:
1. SEE CURRENT CATALOG FOR ADDITIONAL PART NUMBER SUFFIXES TO INDICATE COLOR AND OR PACKAGE QUANTITY.
 2. SEE CATALOG FOR COMPLETE LIST OF PARTS APPLICABLE FOR USE WITH THIS PART.
 3. DIMENSIONS IN [] ARE IN METRIC.
 4. PART INCLUDES (1) PAINTED #4 X 3/8" MOUNTING SCREW.



PART NUMBER		CFFPR1** -X	
TITLE			
MINI-COM 1 POSITION BRAZIL FURNITURE FACEPLATE		CUSTOMER DRAWING	
ITEM REVISION NAME		M00785BA/04	
DATASET FILE NAME		M00785BA_DC/04B	
UNLESS OTHERWISE SPECIFIED, DIMENSIONAL TOLERANCES ARE: IN [mm]		MATERIAL:	
.x ± .xxx ± .010 [.3]		ABS	
.xx ± .03 [.8]		DRAWING NUMBER:	
THIRD ANGLE PROJECTION		00785-02	
DRAWN BY	DATE	CHK	SCALE
JSP	11-9-99	PBD	NONE
SHT 1 OF 1		SIZE	
A		A	

REV	DATE	BY	CHK	APR	DESCRIPTION	ECN
1	3/20/14	JSP	REFR	MMR	A. REVISED DRAWING TITLE BLOCK.	00785-02
R	11-9-99	JSP	PBD	PBD	RELEASED TO PRODUCTION	00785-02

D10100DA/14