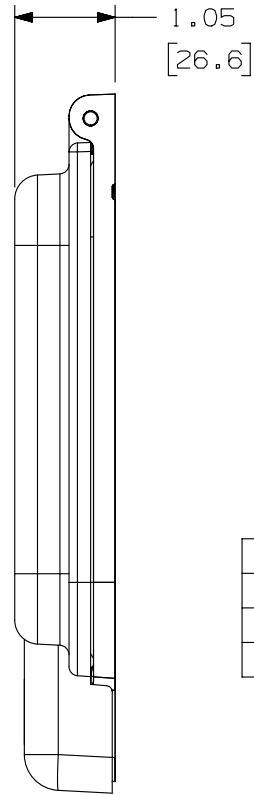
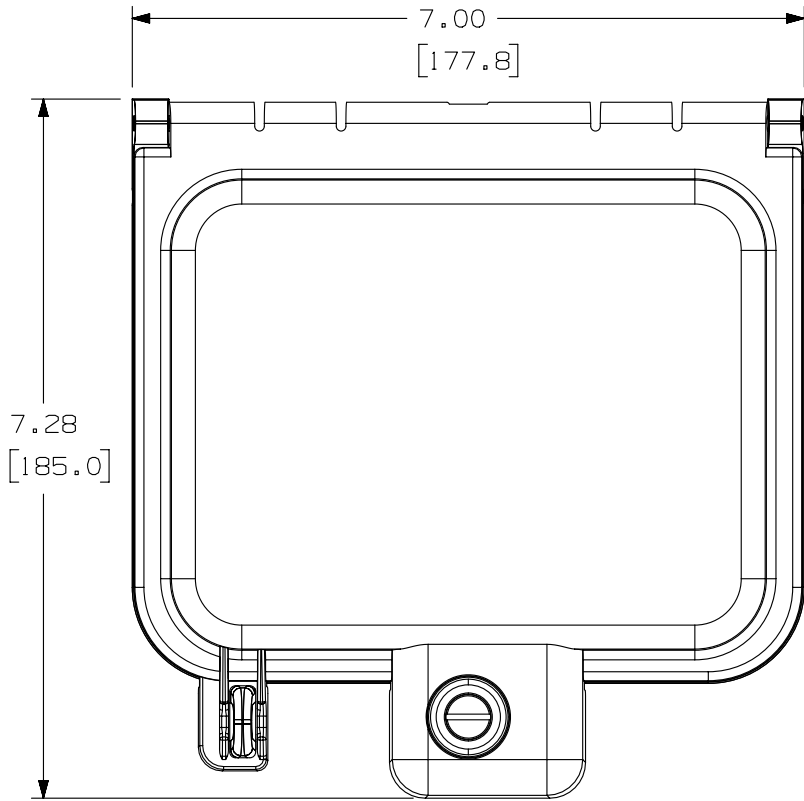


THIS COPY IS PROVIDED ON A RESTRICTED BASIS AND IS NOT TO BE USED IN ANY WAY DETRIMENTAL TO THE INTERESTS OF PANDUIT CORP.



PANDUIT P/N	WEIGHT
IAPEWH	1.14 LB/EACH PC (516.5 g/EACH PC)

NOTES:

- SEE CURRENT CATALOG FOR ADDITIONAL PART NUMBER SUFFIXES TO INDICATE COLOR AND/OR PACKAGE QUANTITY.
- SEE CATALOG FOR COMPLETE LIST OF PARTS APPLICABLE FOR USE WITH THIS PART.
- DIMENSIONS IN [] ARE METRIC.
- PART INCLUDES:
 - 1- INDUSTRIALNET DATA ACCESS PORT
 - 1- 45mm X 45mm RECEPTACLE FACEPLATE
 - 1- 1/4-20 MOUNTING SCREW KIT (INCLUDES 4 SCREWS AND 4 HEX FLANGE NUTS WITH PAINT PIERCING SERRATIONS)
- OPTIONAL LABELS AVAILABLE

RECOMMENDED INSERTS	
2 POSITION 1/3 INSERT	IAPHF2MWH-X
BLANK 1/3 INSERT	IAPHB2MWH-X
BLANK MODULE	IAPCMBWH-X

PART NUMBER		I APEWH	
TITLE			
INDUSTRIALNET ACCESS PORT WITH 45mm X 45mm RECEPTACLE FACEPLATE			
CUSTOMER DRAWING			
ITEM REVISION NAME		M03063AI/02	
DATASET FILE NAME		M03063AI_DC35/02A	
UNLESS OTHERWISE SPECIFIED, DIMENSIONAL TOLERANCES ARE: IN [mm]		MATERIAL:	
.x ± .xx ± .03 [.8]		BASE: ALUMINUM FACEPLATE: ABS COVER: POLYCARBONATE	
ANGLES ±		DRAWING NUMBER:	
THIRD ANGLE PROJECTION		03063-35	
DRAWN BY	DATE	CHK	SCALE
BJN	10-1-09	JCO	NONE
SHT 1 OF 2			SIZE
			A

REV	DATE	BY	CHK	APR	DESCRIPTION	ECN
3	7-7-14	BJN	JSP	GAZ	REVISED & REDRAWN PREVIOUS REVISIONS REMVD FOR CLARITY	03063-35

D10100DA/14

2

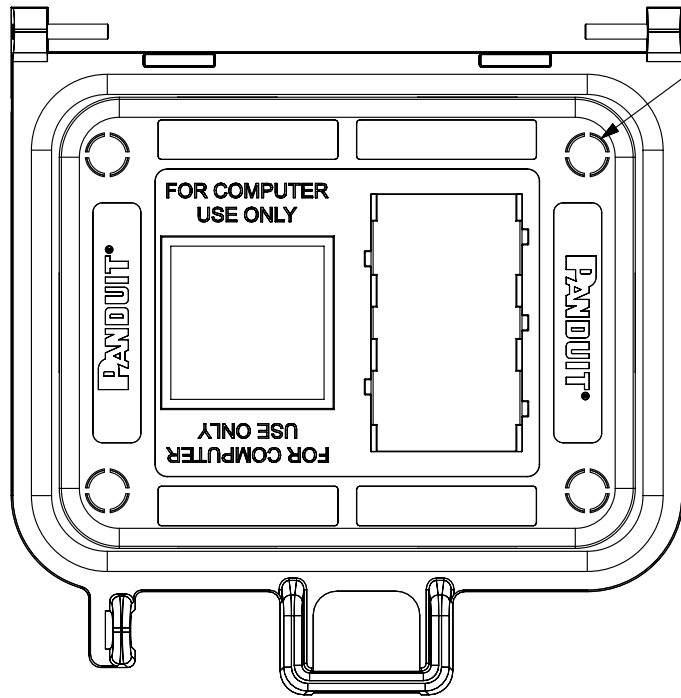
1

2

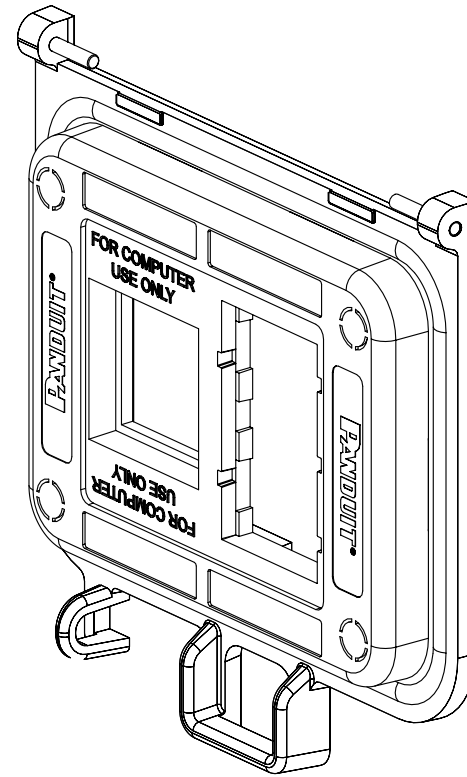
1

THIS COPY IS PROVIDED ON A RESTRICTED BASIS AND IS NOT TO BE USED IN ANY WAY DETRIMENTAL TO THE INTERESTS OF PANDUIT CORP.

VIEWS SHOWN WITH ALL COMPONENTS INSTALL
COVER REMOVED FOR CLARITY



INDUSTRIALNET DATA
ACCESS PORT FACEPLATE



PART NUMBER		I APEWH	
TITLE			
INDUSTRIALNET ACCESS PORT WITH 45mm X 45mm RECEPTACLE FACEPLATE			
CUSTOMER DRAWING			
ITEM REVISION NAME		M03063AI/02	
DATASET FILE NAME		M03063AI_DC35/02A	
UNLESS OTHERWISE SPECIFIED, DIMENSIONAL TOLERANCES ARE: IN (mm)		MATERIAL:	
.x ± .xxx ± .010 (.3)		SEE SHEET 1 OF 2	
.xx ± .03 (.8)		DRAWING NUMBER:	
ANGLES ±		03063 - 35	
THIRD ANGLE PROJECTION		SHT 2 OF 2	
DRAWN BY	DATE	CHK	SCALE
BJN	10-1-09	JCO	NONE
REV	DATE	BY	CHK
3	7-7-14	BJN	JSP
		GAZ	
DESCRIPTION			ECN
SEE SHEET 1 FOR REVISION HISTORY			03063-35

D10100DA/14