

PANDUIT® NET-ACCESS N-Type Network Cabinets

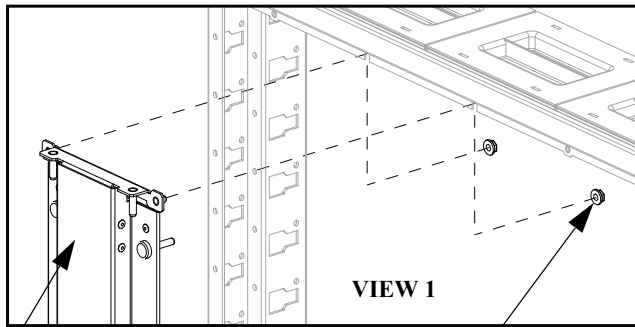
(Split/Hinged Side Panels - N21SPH, N22SPH, N51SPH, N52SPH)

INSTRUCTIONS CM606

© Panduit Corp. 2012

Split/Hinged Side Panels Installation

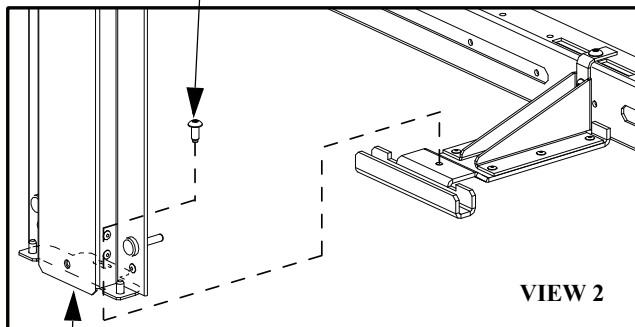
- **VIEW 3** Secure Bottom Support Bracket to cabinet frame with [3] M5 Torx Screws
- **VIEW 1, 2** Secure Vertical Support Bracket to cabinet frame and bottom support bracket with [1] M5 Torx Screw and [2] Hex Nuts
- See Page 2 for Side Panel Installation Instructions



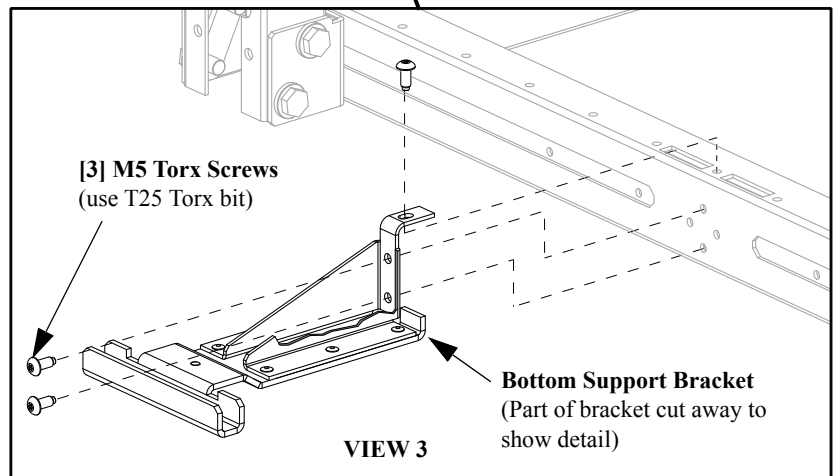
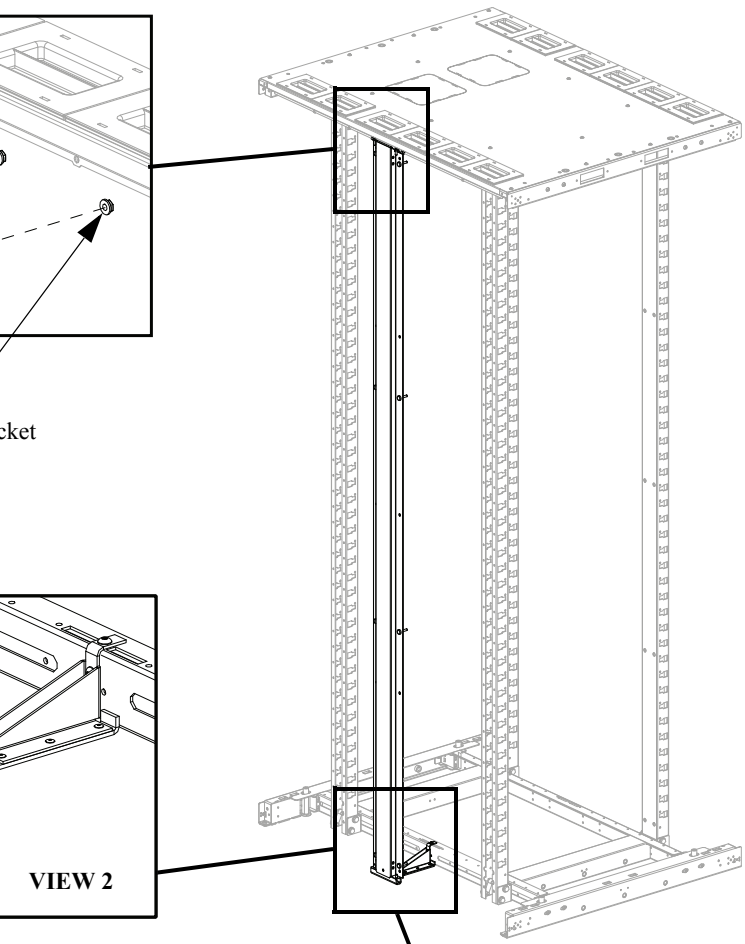
Vertical Support Bracket
(Top)

[2] Hex Nuts
(use 6mm Socket
Wrench)

[1] M5 Torx Screw
(use T25 Torx bit)



Vertical Support Bracket
(Bottom)



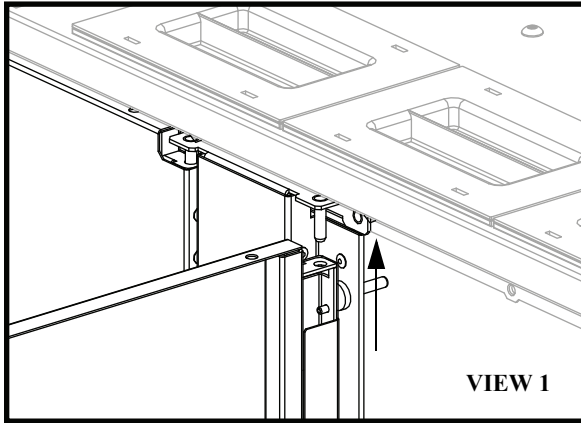
[3] M5 Torx Screws
(use T25 Torx bit)

Bottom Support Bracket
(Part of bracket cut away to
show detail)

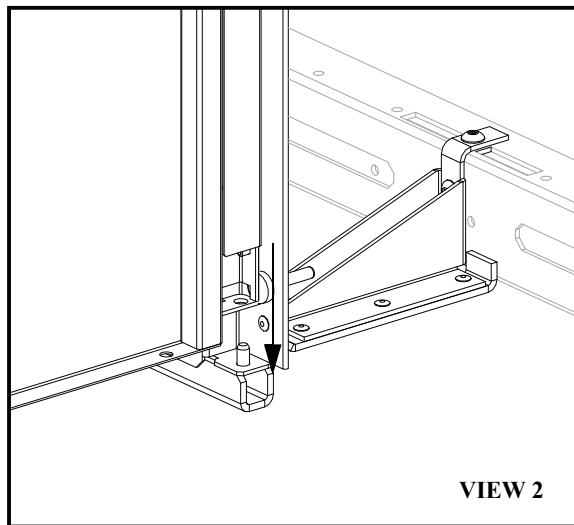
FOR TECHNICAL SUPPORT www.panduit.com/resources/install_maintain.asp

Split/Hinged Side Panels Installation

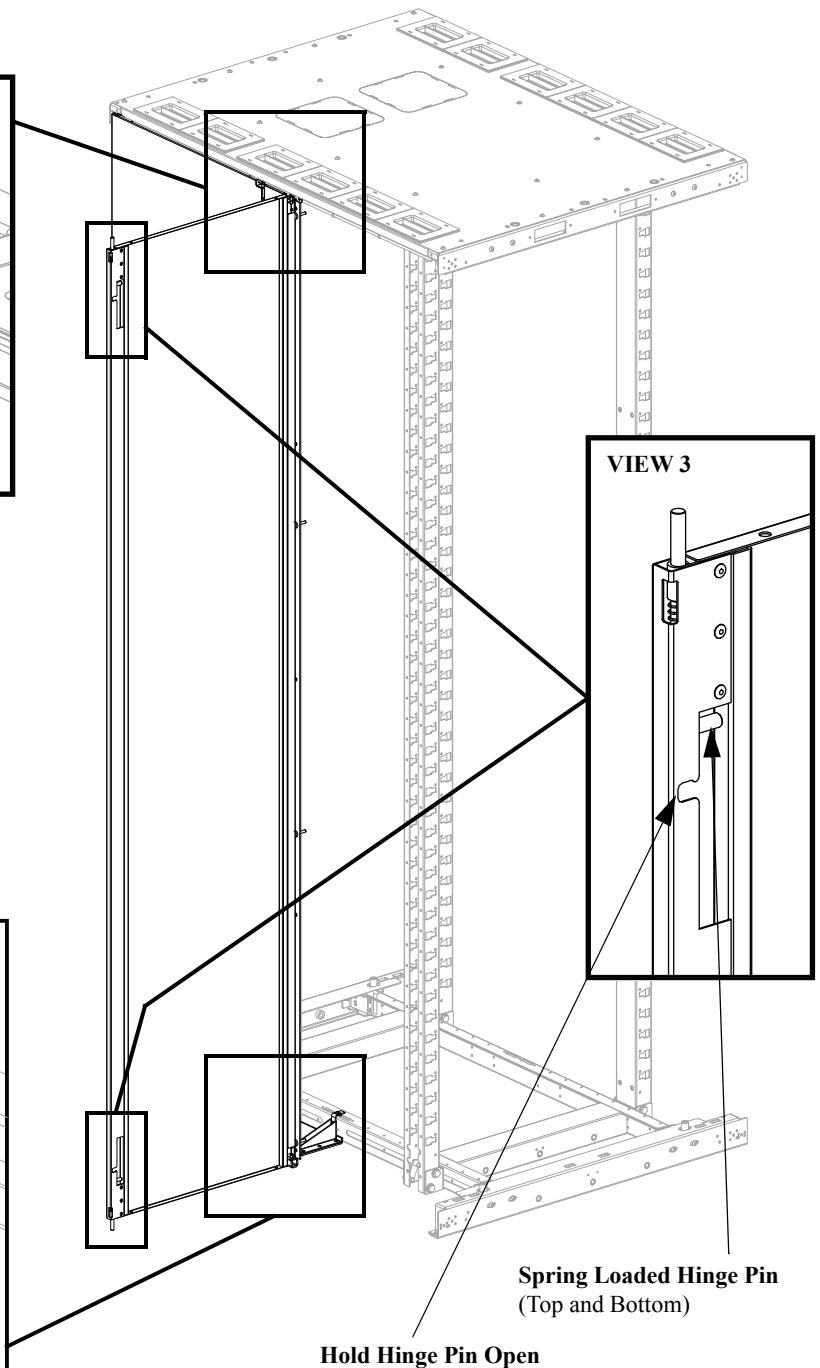
- Open Side Panel to approximately 90°
- **VIEW 1** Lift Top Hinge Point of Side Panel onto top pin of Vertical Support Bracket
- **VIEW 2** Lower Bottom Hinge Point of Side Panel onto bottom pin of Vertical Support Bracket
- **VIEW 3** Close Side Panel and secure top and bottom of Side Panel to cabinet frame with [2] Spring Loaded Hinge Pins



Lift Top Hinge Point of Side Panel onto Top Pin of Vertical Support Bracket



Lower Bottom Hinge Point of Side Panel onto Bottom Pin of Vertical Support Bracket



Spring Loaded Hinge Pin (Top and Bottom)

Hold Hinge Pin Open

For Instructions in Local Languages
and Technical Support:

www.panduit.com/resources/install_maintain.asp

PANDUIT[®]
www.panduit.com

E-mail:
techsupport@panduit.com
Phone:
866-405-6654