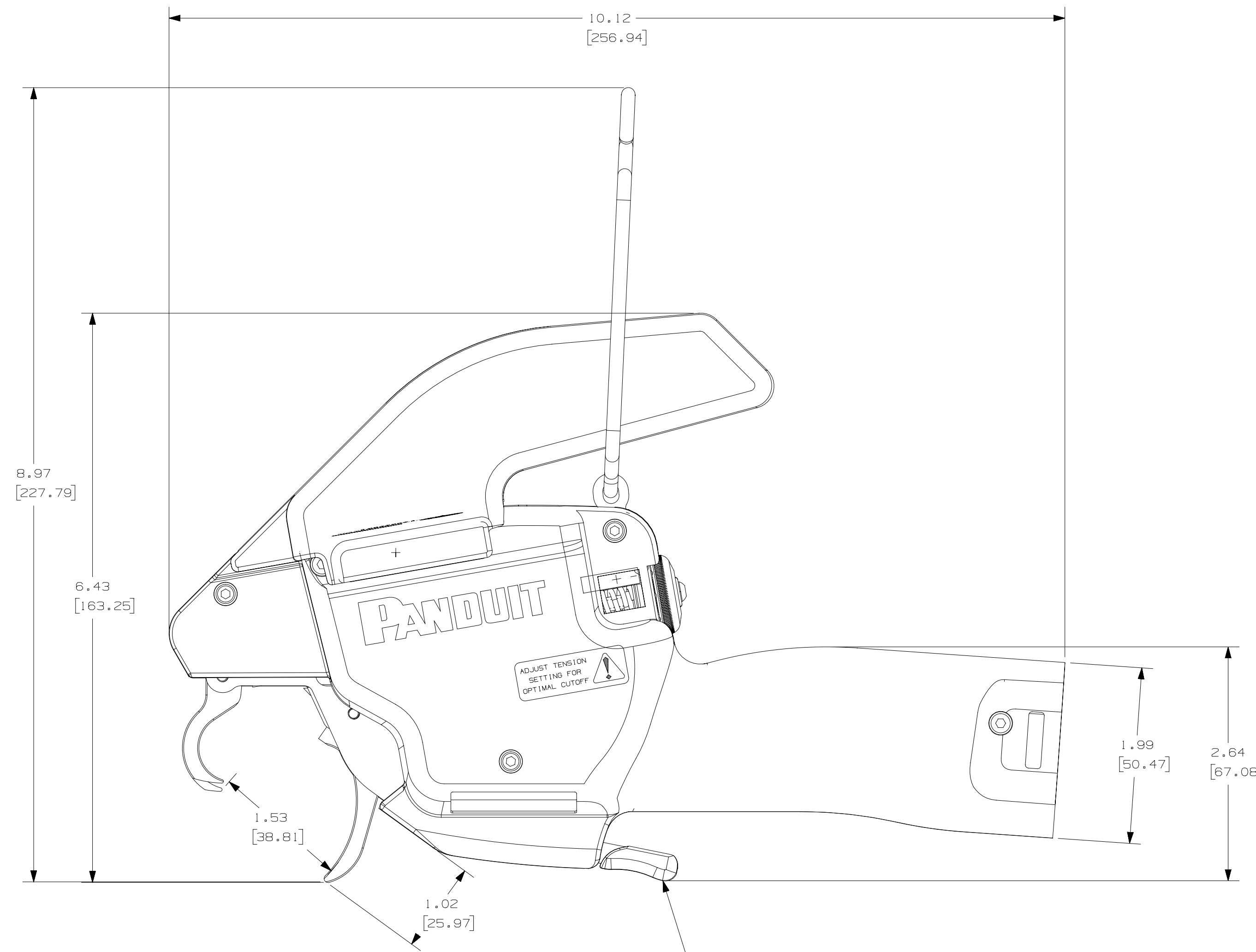
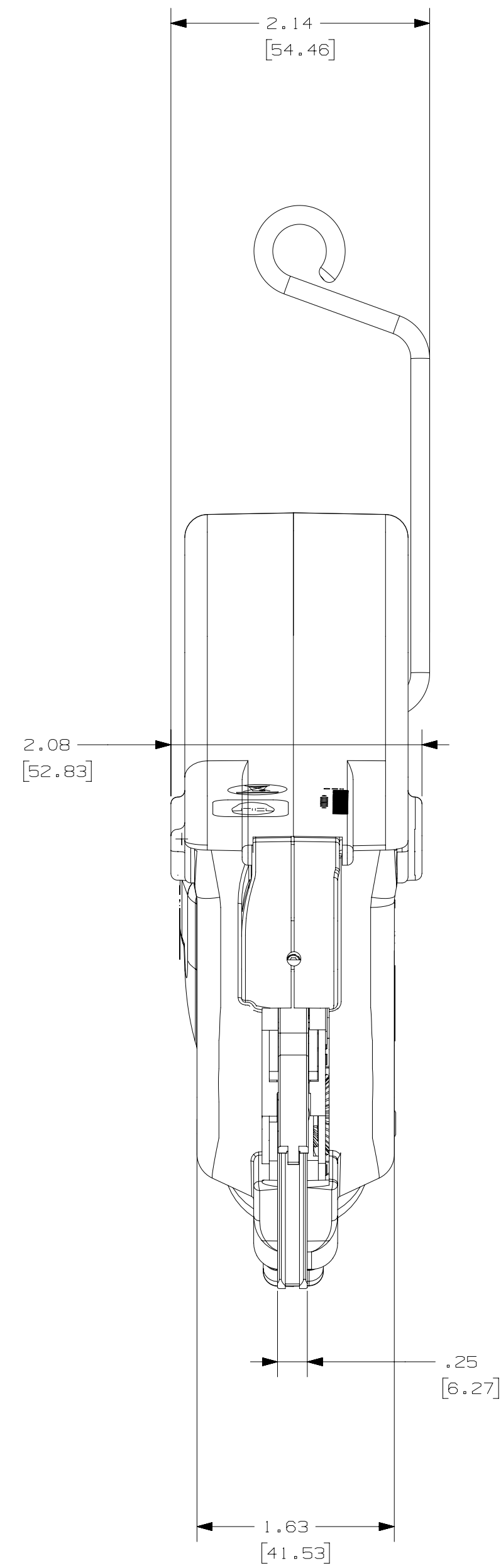
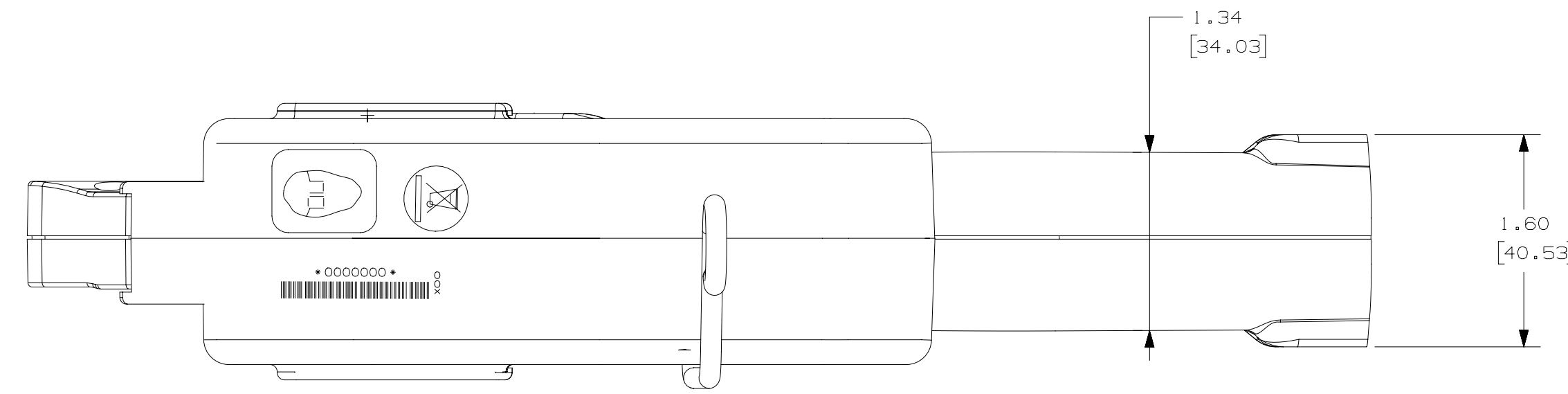


NOTES, UNLESS OTHERWISE SPECIFIED:

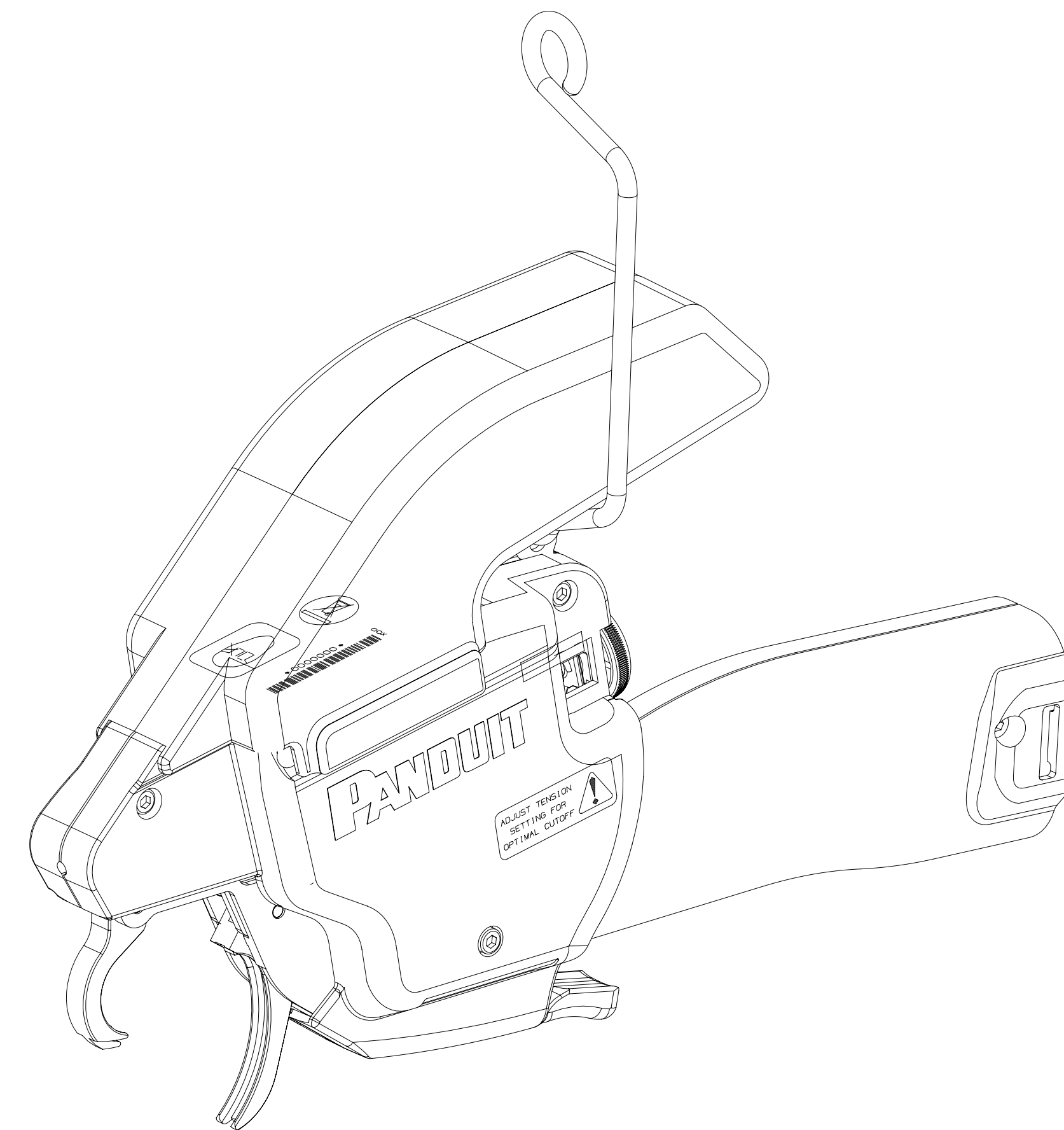
EST. WT. 1.69lbs. (768mg) Tool Only
 1.82lbs. (827.8mg) Tool & Tip Collector

Maximum Bundle Diameter for PLT1M-XMR & BT1M-XMR Cable Ties is .82 inches (20.82mm)

PAT1M4.0 Tools are for PLT Ties and PAT1M4.0-BT Tools are for BT Ties



Trigger travel is .482 or 12.2428mm



REV	DATE	BY	CHK	APR	DESCRIPTION	ECN	SIZE
R	4/11/16	LAH	ALP	ALP	RELEASED	4757A	D

TITLE		CUSTOMER DRAWING PAT1M4.0 & PAT1M4.0-BT	
ITEM REVISION NAME		CONTROL DRAWING	
DATASET FILE NAME		R27751AA/00	
DATASET FILE NAME		R27751AA_DS.WT27751D01/00A	
UNLESS OTHERWISE SPECIFIED		PANDUIT	
DIMENSIONAL TOLERANCES ARE: (IN 1 mm)		N/A	
.X = .1 (2.54)		.XXX = .005 (.127)	
.XX = .01 (.25)		ANGLES = 5°	
THIRD ANGLE PROJECTION		DRAWING NUMBER	
LAH		WT27751D01	
DATE		SHT 1 OF 1	
4/11/16		1:1	
OK		SCALE	
ALP		1:1	