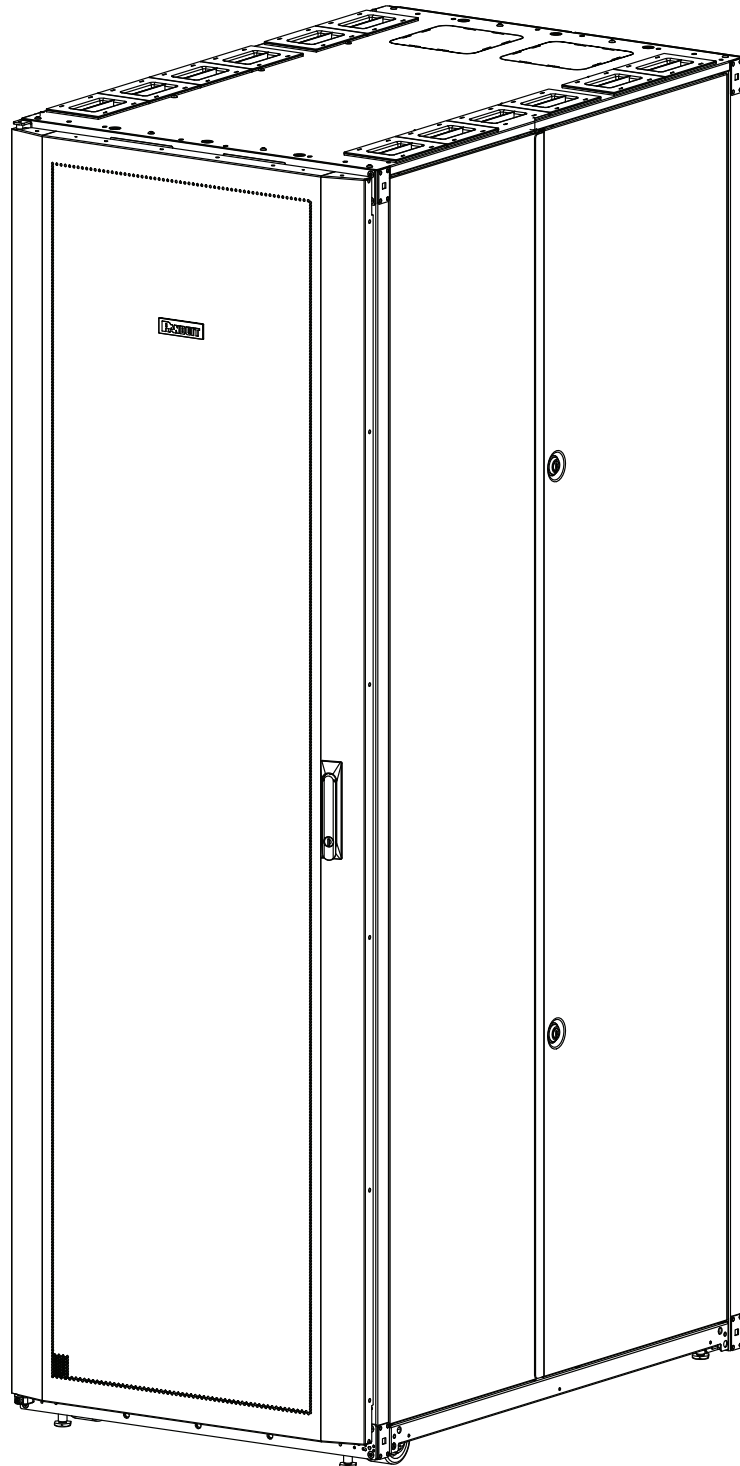


# PANDUIT *NET-ACCESS S-Type Server Cabinets* (S\*\*SHD\* - Single Hinge Door Installation)

## INSTRUCTIONS CM618A

© Panduit Corp. 2013

**NOTE - Some views in this document may vary slightly from your actual cabinet configuration.**



**Tool List:**

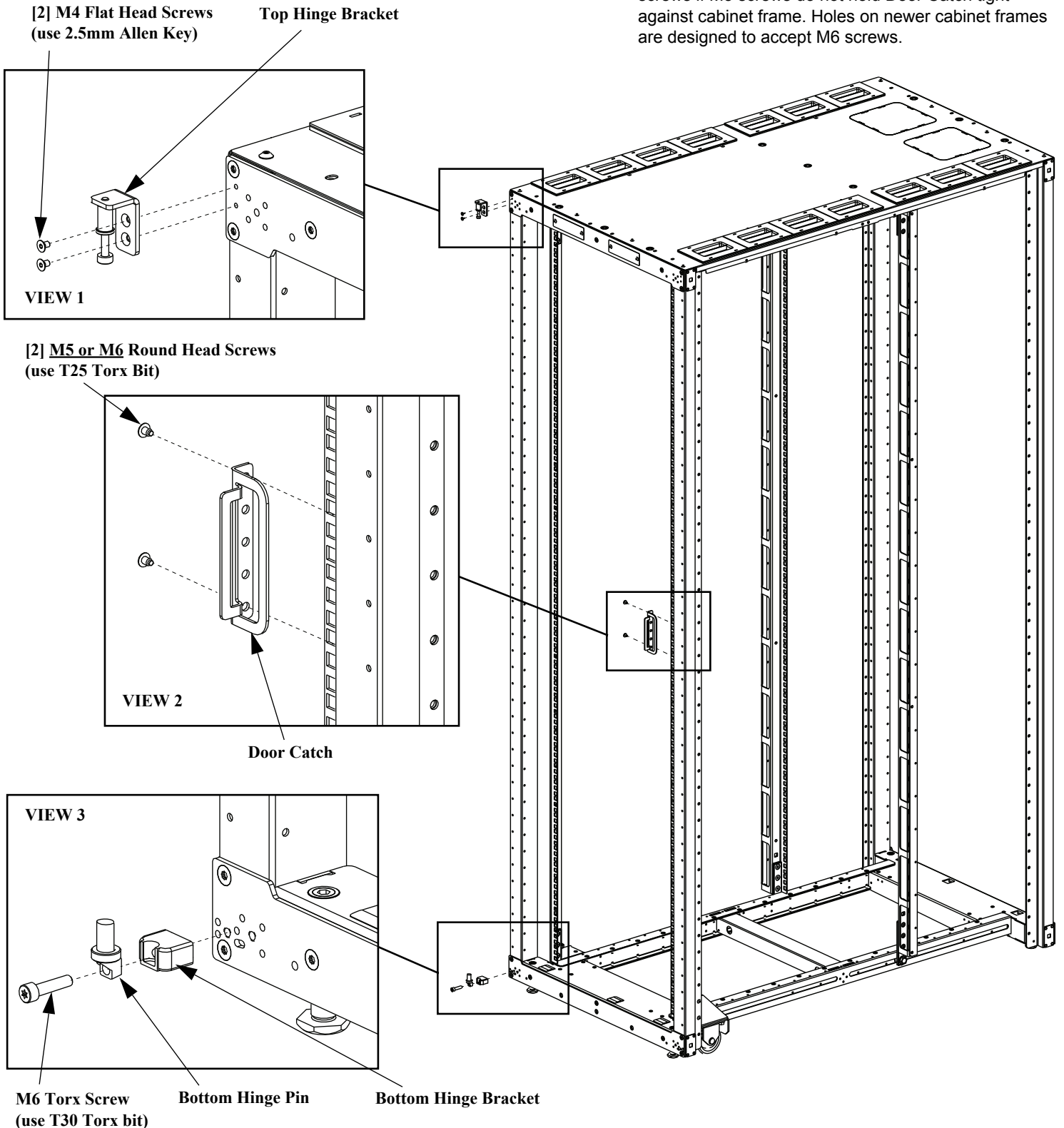
- 8mm socket wrench
- T30 Torx bit
- T25 Torx bit
- 2.5mm Allen Key

**FOR TECHNICAL SUPPORT [www.panduit.com/resources/install\\_maintain.asp](http://www.panduit.com/resources/install_maintain.asp)**

## Single Hinge Door (Bracket Installation)

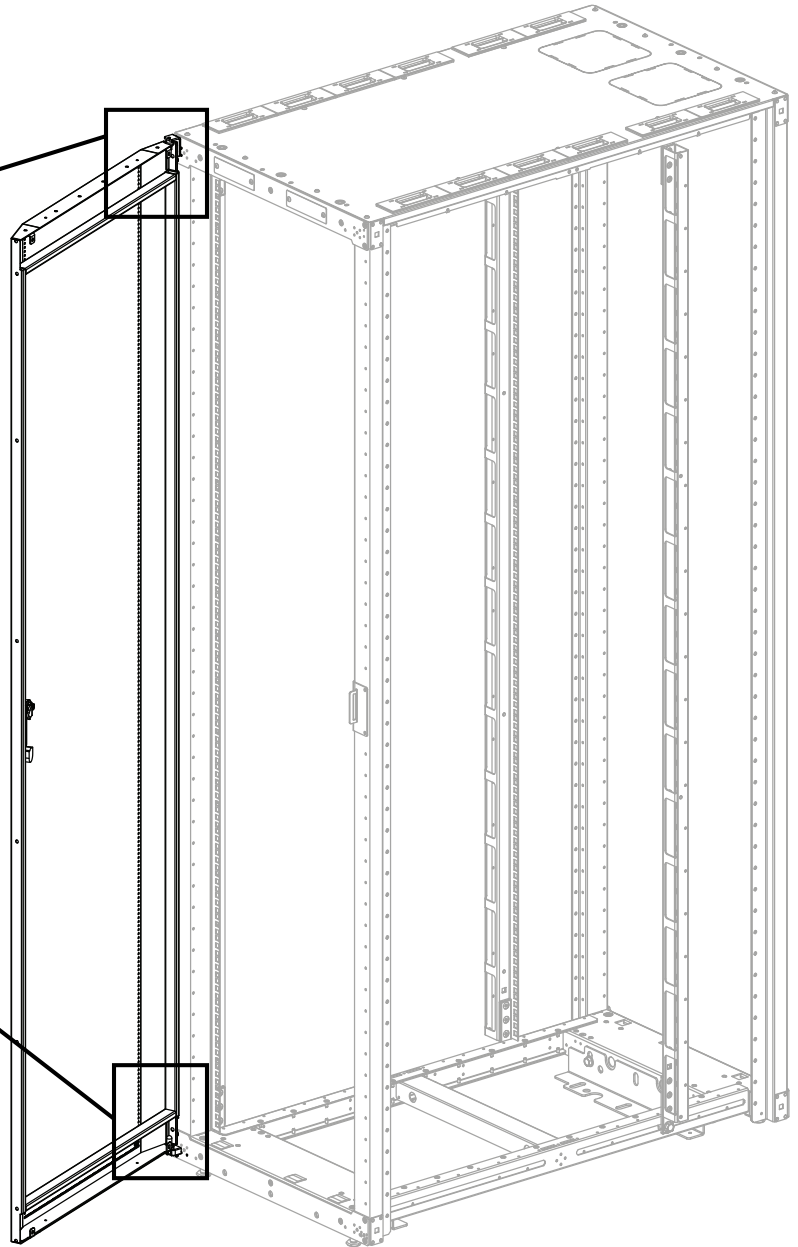
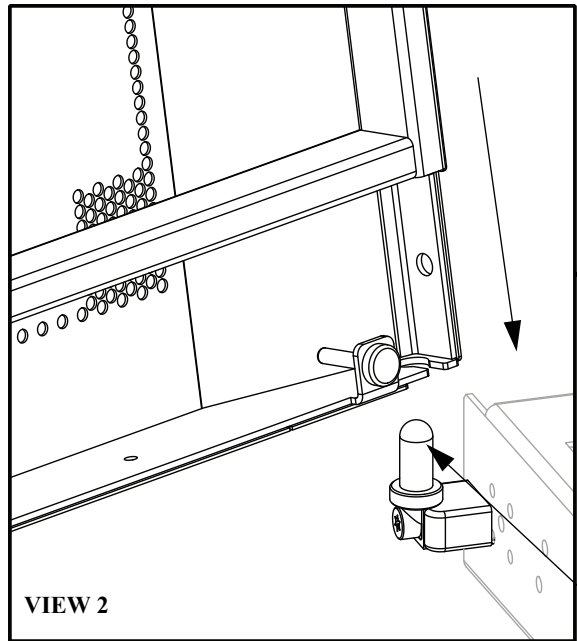
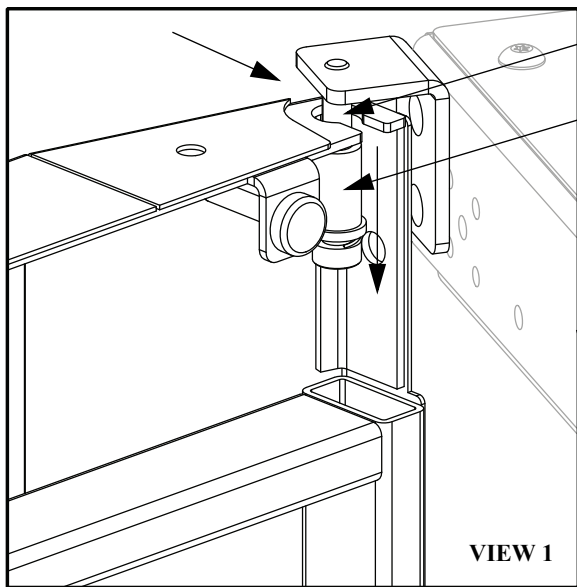
- VIEW 1 Install Top Hinge Bracket on cabinet frame (remove and re-install top hinge screw, if necessary)
- VIEW 2 Install Door catch on cabinet frame\*
- VIEW 3 Install Bottom Hinge Bracket and Hinge Pin on cabinet frame

**\*NOTE** - Hardware kit includes [2] M5 Torx screws and [2] M6 Torx screws for Door Catch installation. Use M6 screws if M5 screws do not hold Door Catch tight against cabinet frame. Holes on newer cabinet frames are designed to accept M6 screws.



## Single Hinge Door (Installation and Removal)

- VIEW 2 Lift bottom of door onto Bottom Hinge Pin
- VIEW 1 Pull down Compression Sleeve at top door hinge
- VIEW 1 Push Single Hinge Door towards cabinet so that Top Hinge Screw fits through cutout of door
- VIEW 1 Release Compression Sleeve
- REVERSE STEPS to remove Single Hinge Door

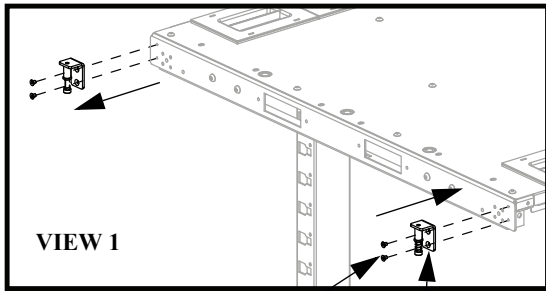


## Single Hinge Door (Door Handle Direction Reversal)

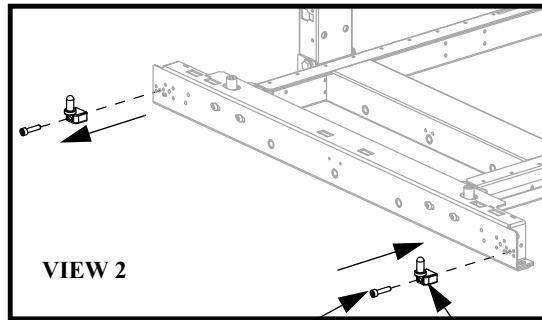
- VIEW 1, 2 Remove Top and Bottom Hinge Brackets from current location (remove top hinge screw, if necessary)
- VIEW 1, 2 Install Top and Bottom Hinge Brackets on opposite side of cabinet (re-install top hinge screw, if necessary)
- VIEW 3 Move Door catch to opposite side of cabinet frame

### Door Handle Reversal (Lay door on a flat surface) - VIEW 4, 5

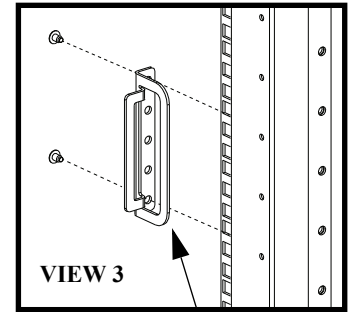
- Remove Door Handle Backing Plate and rotate position of Door Handle 180°
- Loosen Cam Screw to reposition Door Cam and Cam Stop to outside of door. Tighten Cam Screw
- With Door Handle repositioned, secure Door Handle Backing Plate to Door Handle
- Remove PANDUIT label and re-attach in correct orientation near top of door
- Reinstall Single Hinge Door per instructions on Page 3



VIEW 1



VIEW 2



VIEW 3

[2] M4 Screws  
(use 2.5mm Allen Key)

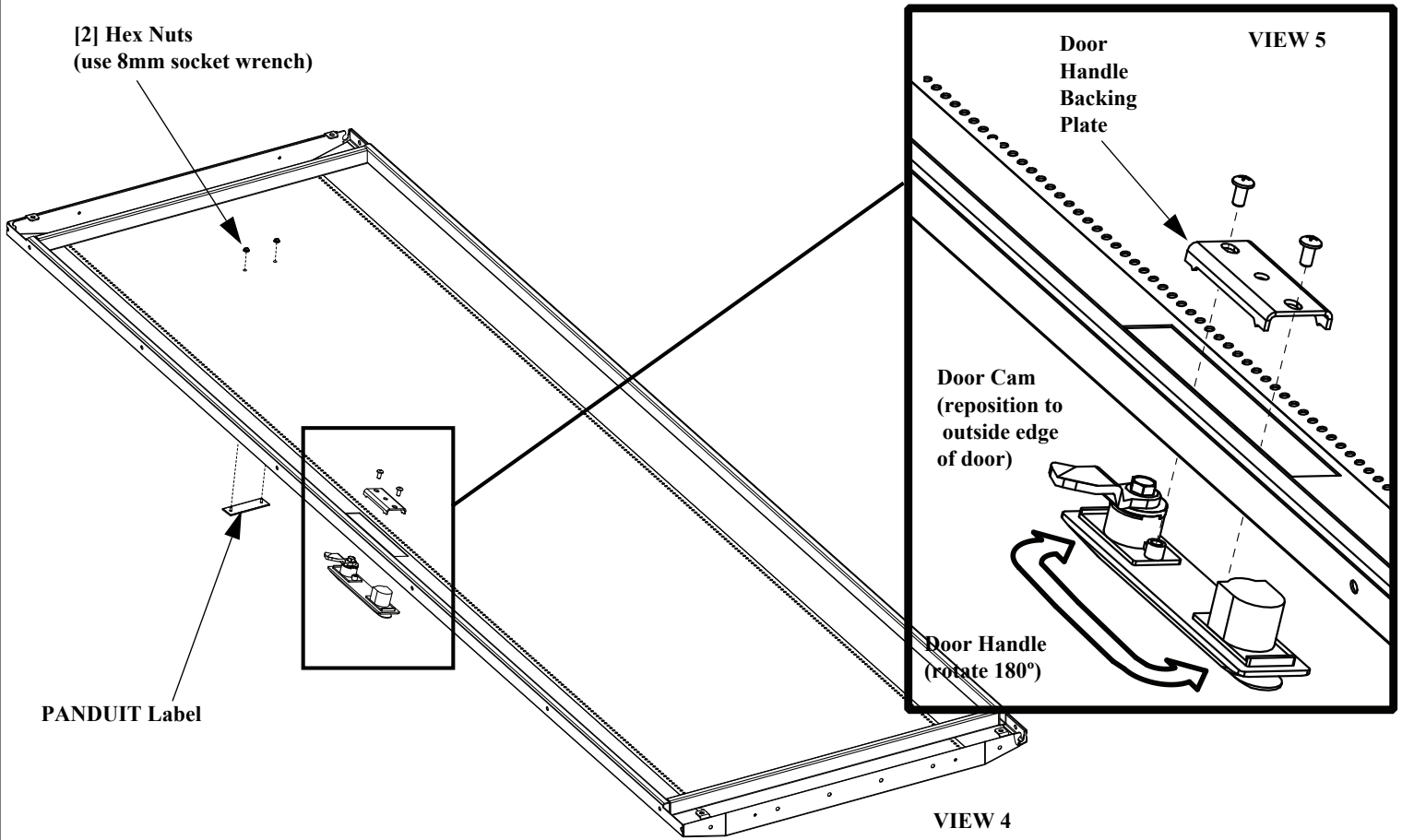
Top Hinge Bracket

M6 Torx Screw  
(use T30 Torx bit)

Bottom Hinge Bracket

Door Catch

[2] Hex Nuts  
(use 8mm socket wrench)



VIEW 5

Door  
Handle  
Backing  
Plate

Door Cam  
(reposition to  
outside edge  
of door)

Door Handle  
(rotate 180°)

PANDUIT Label

VIEW 4

For Instructions in Local Languages  
and Technical Support:

[www.panduit.com/resources/install\\_maintain.asp](http://www.panduit.com/resources/install_maintain.asp)

**PANDUIT**  
www.panduit.com

E-mail:  
[techsupport@panduit.com](mailto:techsupport@panduit.com)  
Phone:  
866-405-6654