

2

1

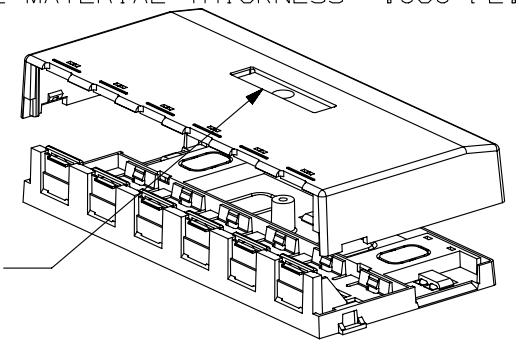
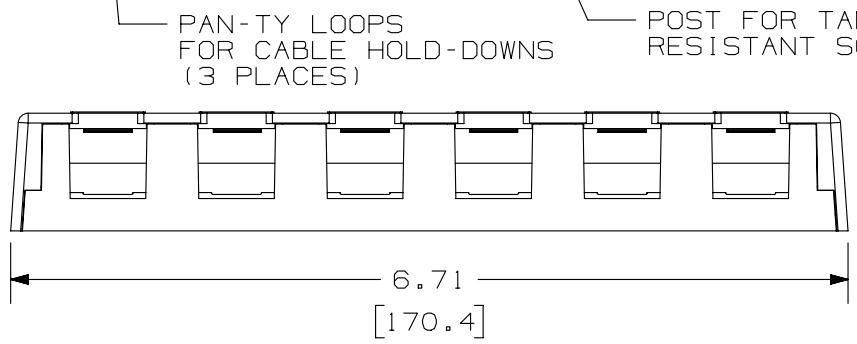
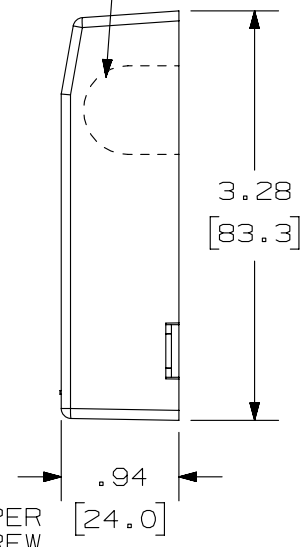
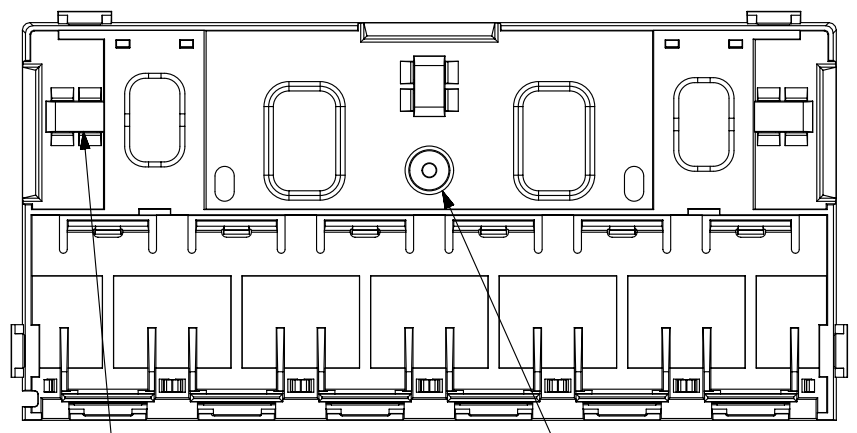
THIS COPY IS PROVIDED ON A RESTRICTED BASIS AND IS NOT TO BE USED IN ANY WAY DETRIMENTAL TO THE INTERESTS OF PANDUIT CORP.

PANDUIT P/N	WEIGHT
JOS60000Y JOS60000BL	1.61 LB/10 PCS (729.15 g/10 PCS)

NOTES:

- SEE CURRENT CATALOG FOR ADDITIONAL PART NUMBER SUFFIXES TO INDICATE COLOR AND OR PACKAGE QUANTITY.
- SEE CATALOG FOR A COMPLETE LIST OF PARTS APPLICABLE FOR USE WITH THIS PART.
- DIMENSIONS IN [] ARE IN METRIC.
- BREAKOUTS DESIGNED TO ACCEPT MULTI-PAIR CABLES DIRECTLY WITHOUT THE USE OF RACEWAYS.
- BOX INCLUDES:
 - 1- BOX BASE
 - 1- BOX COVER
 - 2- PLT1.51-M PAN-TY
 - 1- LABEL/ LABEL COVER
 - 1- MOUNTING SCREW (USED TO SECURE COVER TO BASE)
 - 2- MAGNET (ATTACHED) (CSBM-X)
- BASE MATERIAL THICKNESS= .090 [2.29]

COVER REMOVED FOR CLARITY
BREAKOUT AREA (3 PLACES)



LABEL HOLDER/ SECURITY SCREW PLACEMENT

PART NUMBER		JOS60000Y, JOS60000BL	
TITLE			
MINI-COM 6 POSITION SHUTTERED SURFACE MOUNT BOX			
CUSTOMER DRAWING			
ITEM REVISION NAME		M02479IK/00	
DATASET FILE NAME		M02479IK_DC221/00E	
UNLESS OTHERWISE SPECIFIED, DIMENSIONAL TOLERANCES ARE: IN [mm]		MATERIAL:	
.x ± .xx ± .03 [.8]		BOX: ABS DOORS: PC	
.xxx ± .010 [.3]		DRAWING NUMBER:	
ANGLES ±		02479-221	
THIRD ANGLE PROJECTION		SHT 1 OF 1	
DRAWN BY	DATE	CHK	SCALE
MDJR	7-15-06	MJD	NONE
REV	DATE	BY	CHK
DESCRIPTION		ECN	SIZE
			A

REV	DATE	BY	CHK	APR	DESCRIPTION	ECN
4	3-21-14	MDJR	REFR	MMR	D. UPDATED TITLE BLOCK.	02479-221
3	3-24-08	BJN	TCK	TCK	C. ADDED JOS60000BL TO TABLE.	02479-221
2	3-13-08	JSP	TCK	TCK	B. DOOR MATERIAL WAS HIPS.	02479-221
1	8-1-07	JSP	REFR	REFR	A. REVISED INCORRECT PAN-TY P/N.	02479-221
R	7-15-06	MDJR	MJD	MJD	RELEASED TO PRODUCTION	02479-221

2

1

D10100DA/14