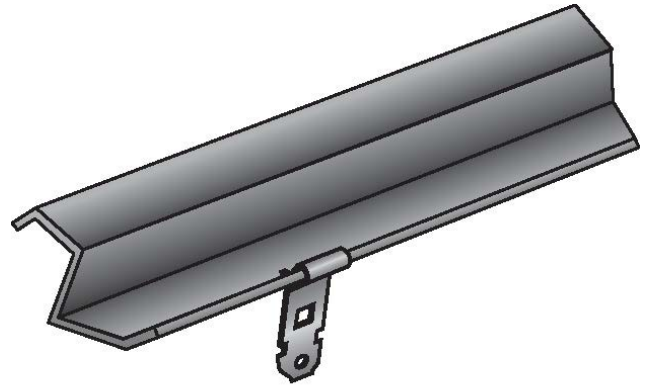
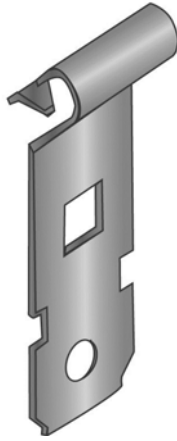


Part Number: PAF14

Product Description: Z-PURLIN CLIP FOR 1/16" - 1/4" ANGLED FLANGE



Material Specifications

Type: High Carbon Steel, Spring Tempered

Finish: Zinc Phosphate and Oil

Color: Black

Function Specifications

Compatible Wires and Cables

AC/MC CABLE (OD):
Drop Wire:
Plain Rod (in):

Threaded Rods and Bolts

Tapped Holes:
Clearance Holes (in): 1/4 round, 3/8 square
Threaded Rod Size (in):

Compatible Conduit

EMT Size (in):
Rigid/IMC (in):

Compatible Flanges and Studs

Flange Size (in): 1/16 to 1/4 angled
Metal Stud Size (ins):

Static Load Rating

Vertical (lbs): 100
Horizontal (lbs):

Other

Codes and Regulatory

Regulatory Certifications: -

Country of Origin: US

Packaging

General Packaging: Cardboard Box
Box Size: 7.5 X 5.5 X 4.5

Pieces per Package: 100
Other Box Features: Fold out handle

Document Information

Created By: DBLA
Checked By: DJW
Approved By: KLN

Customer Specification #: C11136
Revision Level: 01
ECN #: GAECN01482
Date: 12/10/2013