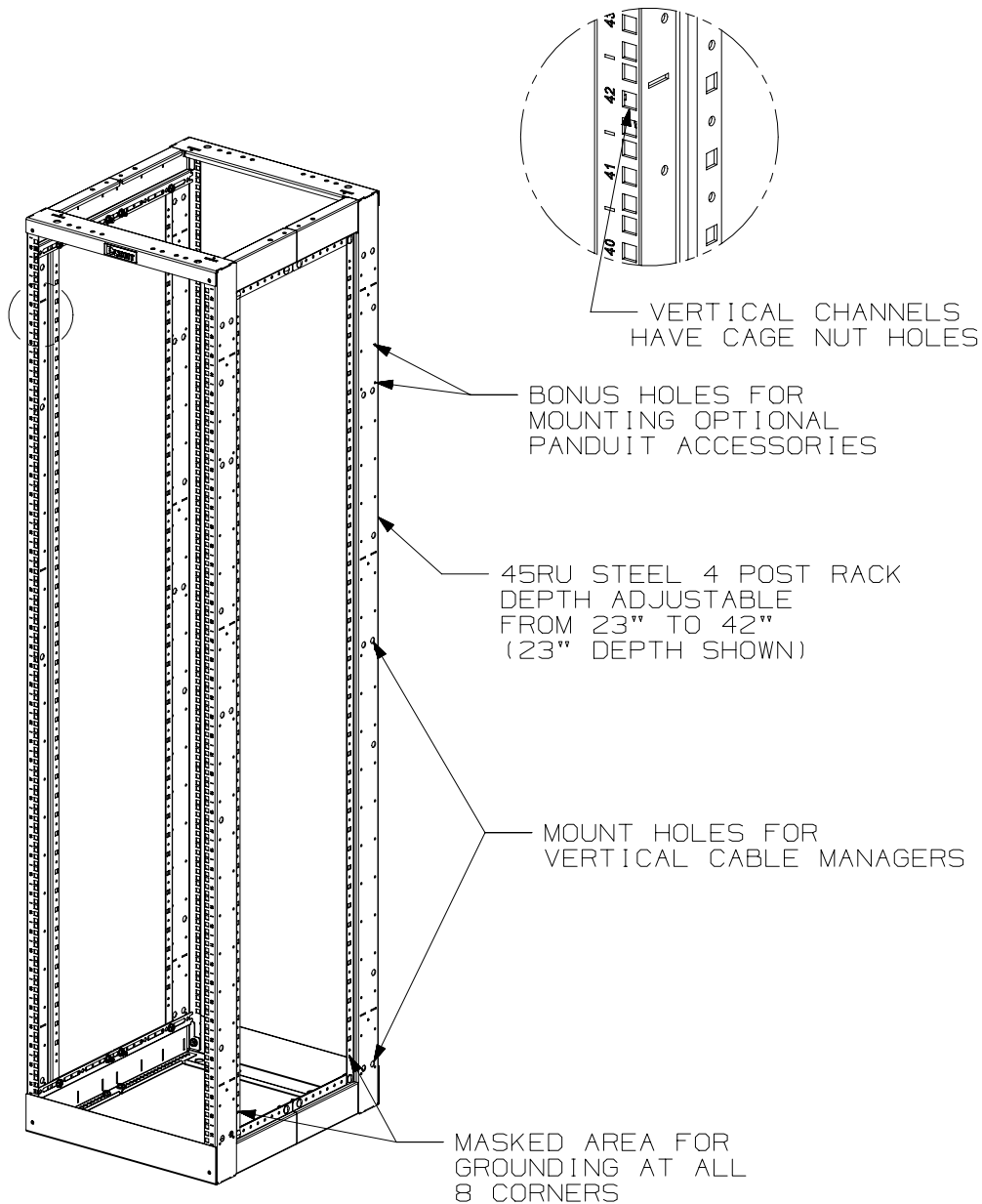


THIS COPY IS PROVIDED ON A RESTRICTED BASIS AND IS NOT TO BE USED IN ANY WAY DETRIMENTAL TO THE INTERESTS OF PANDUIT CORP.



NOTES:

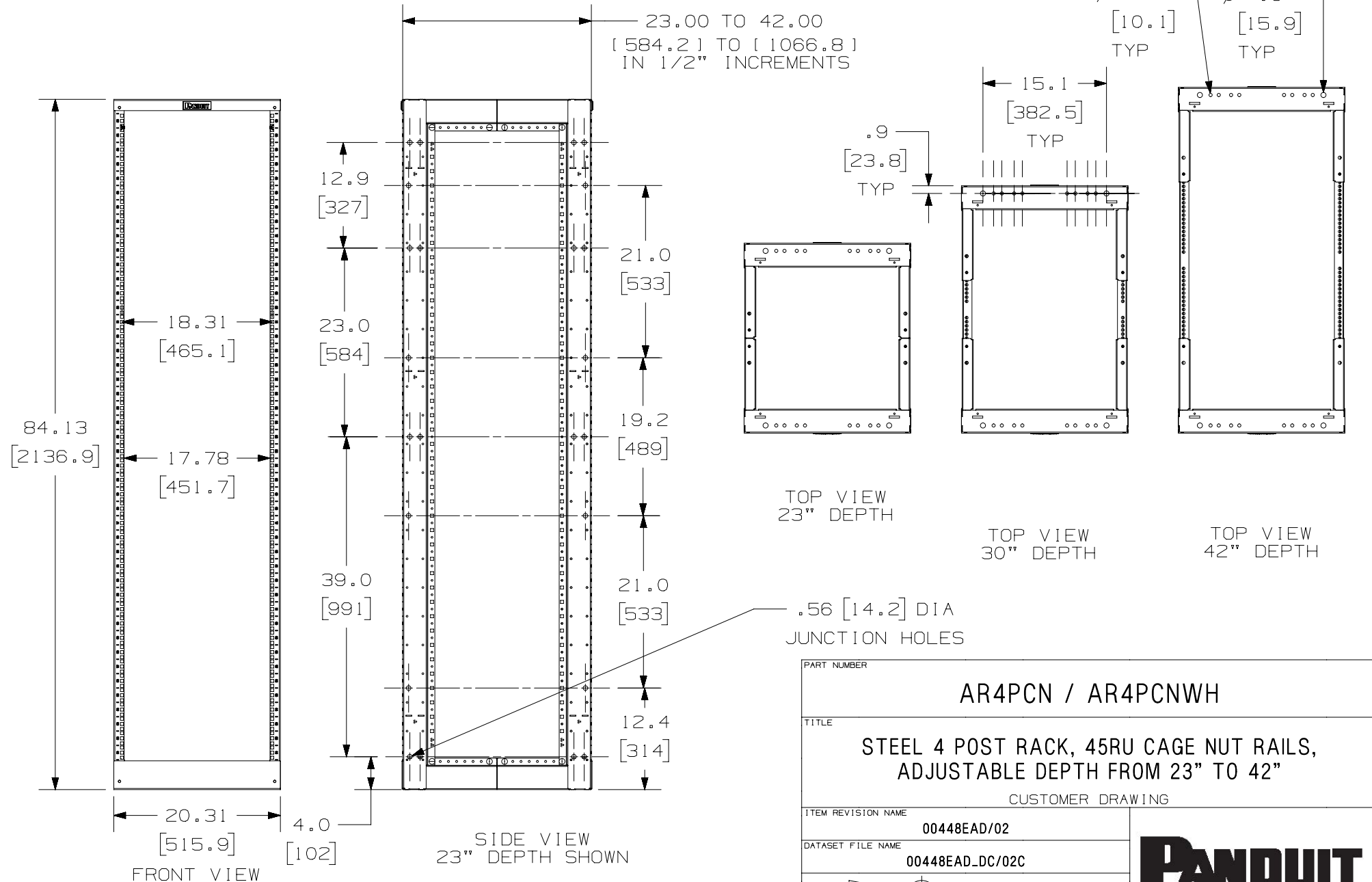
1. VISIT OUR ON-LINE CATALOG AT WWW.PANDUIT.COM FOR A LIST OF CURRENT PARTS APPLICABLE FOR USE WITH THIS PRODUCT.
2. DIMENSIONS IN PARENTHESIS ARE METRIC.
3. RACK DEPTH IS ADJUSTABLE FROM 23" TO 42" AT 1/2" INCREMENTS.
4. CAN BE USED WITH ANY EIA STANDARD COMPONENT IN ADDITION TO ALL PANDUIT HORIZONTAL CABLE MANAGEMENT AND PATCH PANEL PRODUCTS.
5. 45 AVAILABLE RACK SPACES.
6. EIA UNIVERSAL STANDARD HOLE PROGRESSION ON FRONT AND REAR CHANNELS.  
.625", .625", .500", .625", .625", .500"...ETC.
7. ALL RACKS WILL HAVE NUMBERS UP ORIENTATION (RU "01" ON BOTTOM, RU "45" ON TOP).
8. RU SPACING NUMBERS ARE CLEARLY PRINTED ON MOUNTING RAILS.
9. ALL ASSEMBLY HARDWARE INCLUDED:  
(2) 84" TALL WELDED RACK FRAME WITH CAGE NUT MOUNT HOLES  
(4) ADJUSTABLE DEPTH MOUNT BRACKETS  
(1) HARDWARE KIT
10. EASY ASSEMBLY, ONE WRENCH NEEDED.
11. FULLY BONDED STRUCTURE WHEN ASSEMBLED PER INSTRUCTIONS.
12. LOAD RATING - 2000 lbs.
13. WEIGHT: 65.1 lbs [29.5 kg].

PART NUMBER		AR4PCN / AR4PCNWH	
TITLE		STEEL 4 POST RACK, 45RU CAGE NUT RAILS, ADJUSTABLE DEPTH FROM 23" TO 42"	
ITEM REVISION NAME		CUSTOMER DRAWING	
DATASET FILE NAME		00448EAD-DC/02C	
MATERIAL		STEEL	
DRAWING NUMBER		00448EAD-DC	
DRAWN BY		DATE	CHK
TWW		7-10-20	RYB
SCALE		NONE	
SHEET 1 OF 3		A	

REV	DATE	BY	CHK	APR	DESCRIPTION	ECN
02C	4-25-23	TWV	MPOL	KCOR	ADDED TOP HOLE DIMENSIONS	M09000ME
02B	2-8-22	TWV	KZU	JEFK	UPDATED GROUNDING MASKED AREA NOTE	M09000LA/07

A-SIZE CUSTOMER

THIS COPY IS PROVIDED ON A RESTRICTED BASIS AND IS NOT TO BE USED IN ANY WAY DETRIMENTAL TO THE INTERESTS OF PANDUIT CORP.

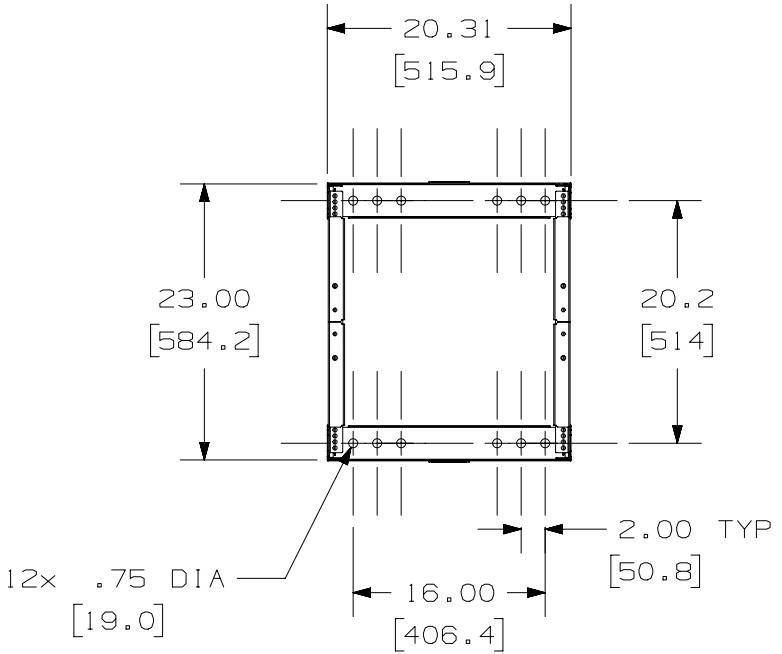


PART NUMBER		AR4PCN / AR4PCNWH	
TITLE		STEEL 4 POST RACK, 45RU CAGE NUT RAILS, ADJUSTABLE DEPTH FROM 23" TO 42"	
ITEM REVISION NAME		CUSTOMER DRAWING	
00448EAD/02			
DATASET FILE NAME		00448EAD_DC/02C	
MATERIAL		STEEL	
DRAWING NUMBER		00448EAD-DC	
THIRD ANGLE PROJECTION			
DRAWN BY	DATE	CHK	SCALE
TWV	7-10-20	RYB	NONE
SHEET 2 OF 3		SIZE A	

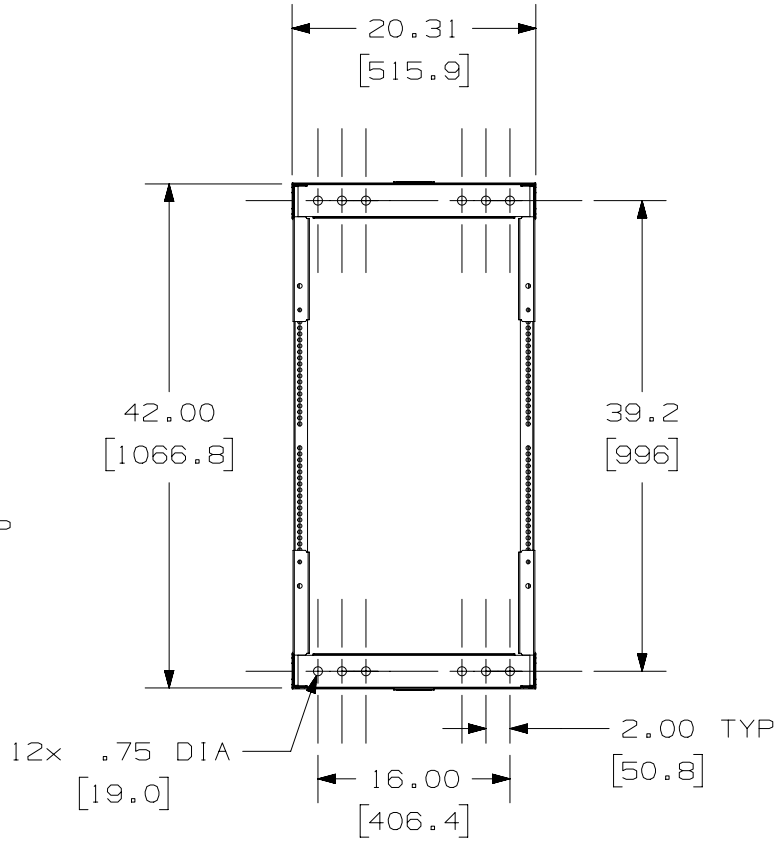
REV	DATE	BY	CHK	APR	DESCRIPTION	ECN
02C	4-25-23	TWV	MPOL	KCOR	SEE SHEET ONE FOR REVISIONS	M09000ME
02B	2-8-22	TWV	KZU	JEFK	SEE SHEET ONE FOR REVISIONS	M09000LA/07

A-SIZE CUSTOMER

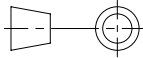
THIS COPY IS PROVIDED ON A RESTRICTED BASIS AND IS NOT TO BE USED IN ANY WAY DETRIMENTAL TO THE INTERESTS OF PANDUIT CORP.



FLOOR FOOTPRINT AT 23" MINIMUM DEPTH



FLOOR FOOTPRINT AT 42" MAXIMUM DEPTH

PART NUMBER		AR4PCN / AR4PCNWH		
TITLE		STEEL 4 POST RACK, 45RU CAGE NUT RAILS, ADJUSTABLE DEPTH FROM 23" TO 42"		
CUSTOMER DRAWING				
ITEM REVISION NAME		00448EAD/02		
DATASET FILE NAME		00448EAD_DC/02C		
		THIRD ANGLE PROJECTION		
MATERIAL		STEEL		
DRAWING NUMBER		00448EAD-DC		
DRAWN BY	DATE	CHK	SCALE	SIZE
TWV	7-10-20	RYB	NONE	A

REV	DATE	BY	CHK	APR	DESCRIPTION	ECN
02C	4-25-23	TWV	MPOL	KCOR	SEE SHEET ONE FOR REVISIONS	M09000ME
02B	2-8-22	TWV	KRKE	JEFK	SEE SHEET ONE FOR REVISIONS	M09000LA/07

A-SIZE CUSTOMER