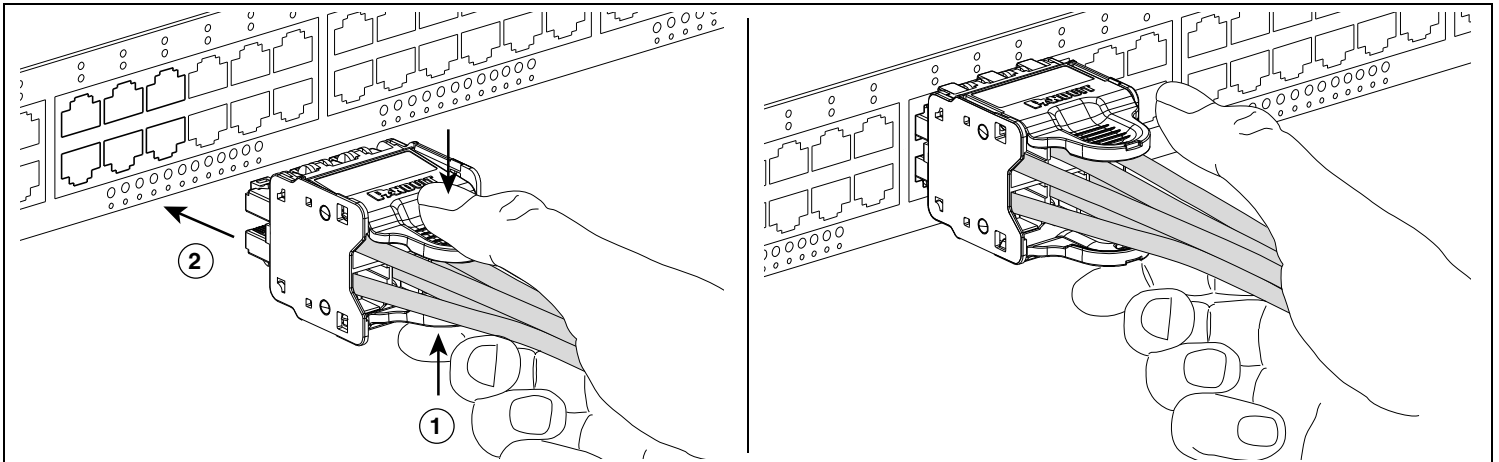
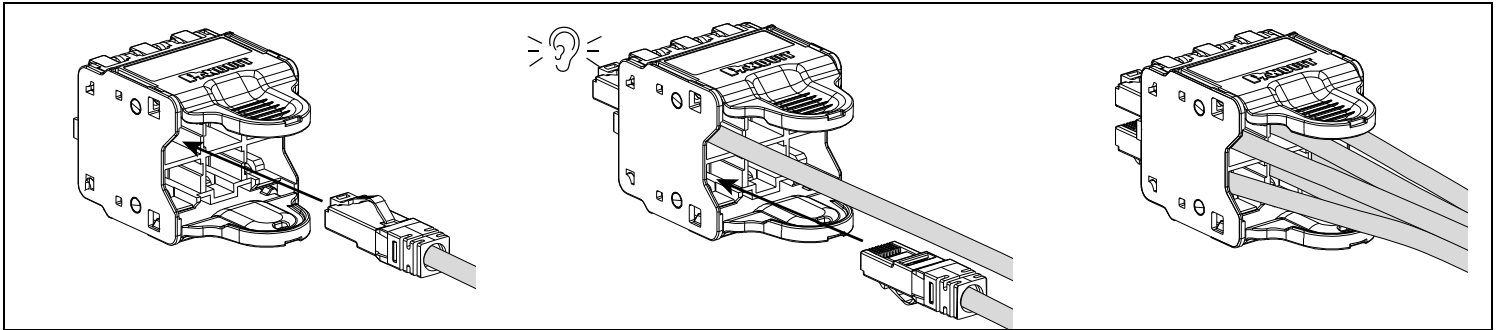
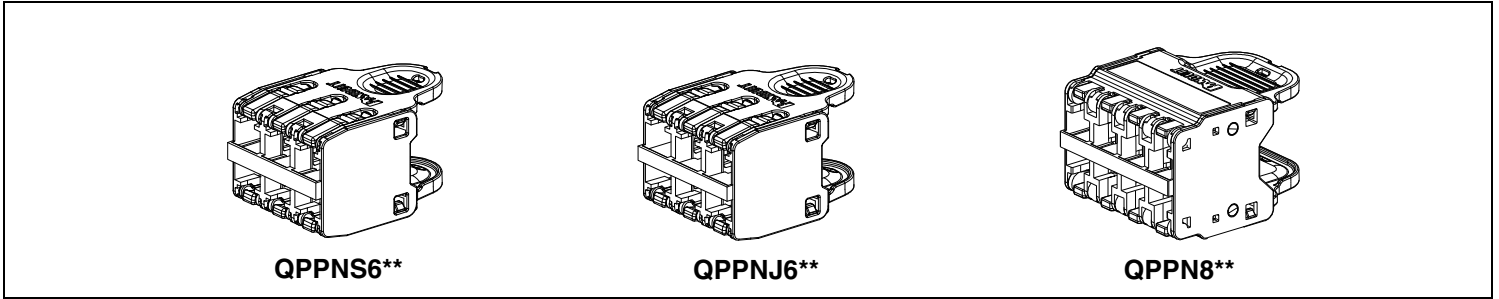


Guaranteed compatible with Panduit plugs and cord assemblies only.



QPPNS6 QPPNJ6****
Patch Cord removal:
Press small flat head screwdriver on areas shown with arrows to compress latches, gently remove cord.

Accessories

ID Labels (included)

Marker tie (included)

QPPRT Patch Cord Removal Tool (sold separately) (Not compatible with QPPNS6**, QPPNJ6**)

** Denotes color (BU - blue, WH - white, BL - black, RD - red).

Low Profile Plug Pack Install into Cisco 9400 Switch

To install Low Profile Plug Pack into jack ports above the switch ejection lever, rotate the ejection lever to an “open” position.

NOTE: Ejection lever will stop prior to removing the switch blade.

Insert Low Profile Plug Pack.

When installation is complete, close the ejection levers.

