

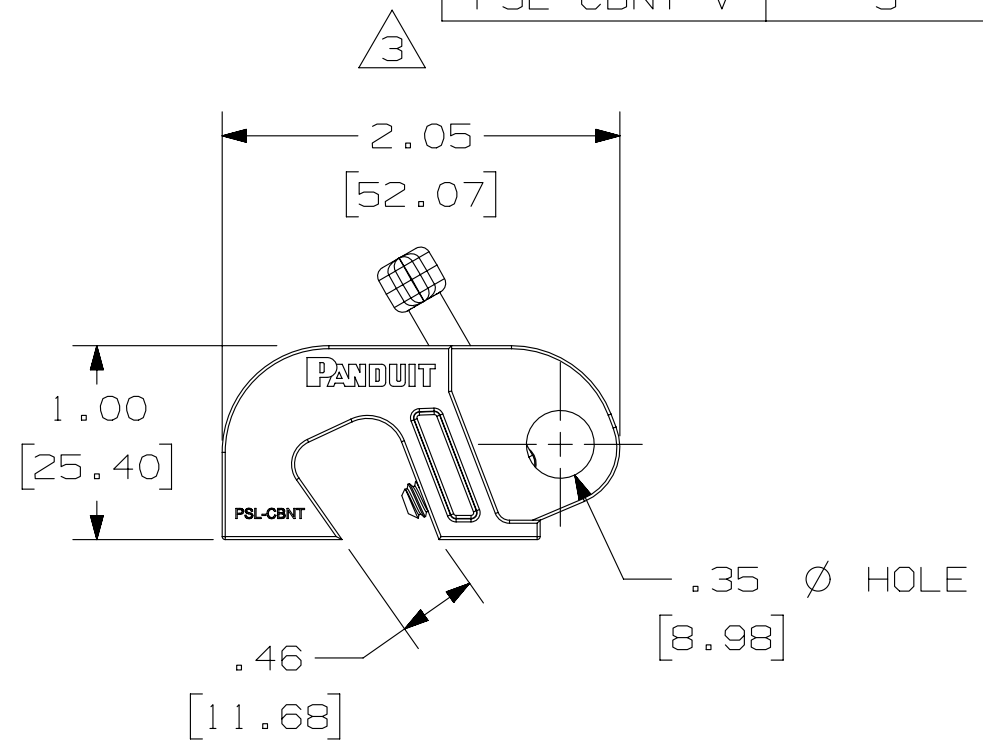
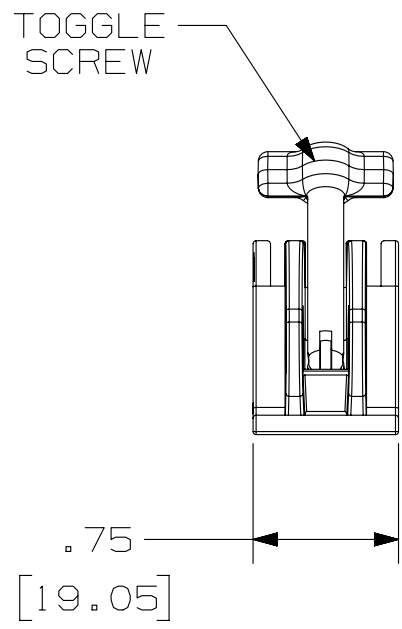
2

1

THIS COPY IS PROVIDED ON A RESTRICTED BASIS AND IS NOT TO BE USED IN ANY WAY DETRIMENTAL TO THE INTERESTS OF PANDUIT CORP.

NOTES:
1. MILLIMETERS ARE SHOWN IN BRACKETS.

PART NUMBER	PACKAGE QTY.
PSL - CBNT	1
PSL - CBNT - V	5



3

3	8/15/14	RVU	MJPF	MSAD	REMOVE PN, PSL-CBNTG.	GAECN02251	
2	5/12/14	RVU	MJPF	MSAD	REVERSE THE RIGHT VIEW. CREATED NEW TABLE FOR FINISHED PART NUMBERS. ADDED PSL-CBNT-V, AND PSL-CBNTG TO DWG.	GAECN01969	
1	2/18/12	RVU			UPDATE PSL-CBNT LOCKOUT TO REPLACE OLD SCREW TO THE NEW TOGGLE SCREW.	6711	
R	3/28/03	RVU			DRAWING RELEASE.	3224	
REV	DATE	BY	CHK	APR	DESCRIPTION	ECN	

TITLE		PSL-CBNT, & PSL-CBNT-V NO-TOOL CIRCUIT BREAKER LOCKOUT DEVICE	
		CUSTOMER DRAWING	
ITEM REVISION NAME		100295EG/04	
DATASET FILE NAME		100295EG_DC_C10019/04D	
UNLESS OTHERWISE SPECIFIED, DIMENSIONAL TOLERANCES ARE: IN (mm)		MATERIAL:	
.x ± .1 [2.54] .xxx ± .005 [.127]		RED NYLON	
.xx ± .01 [.25] ANGLES ± 5 °		DRAWING NUMBER:	
		C10019	
DRAWN BY	DATE	CHK	SCALE
RVU	3/28/03	MSAD	NTS
SHT 1 OF 1		SIZE	
		A	

2

1