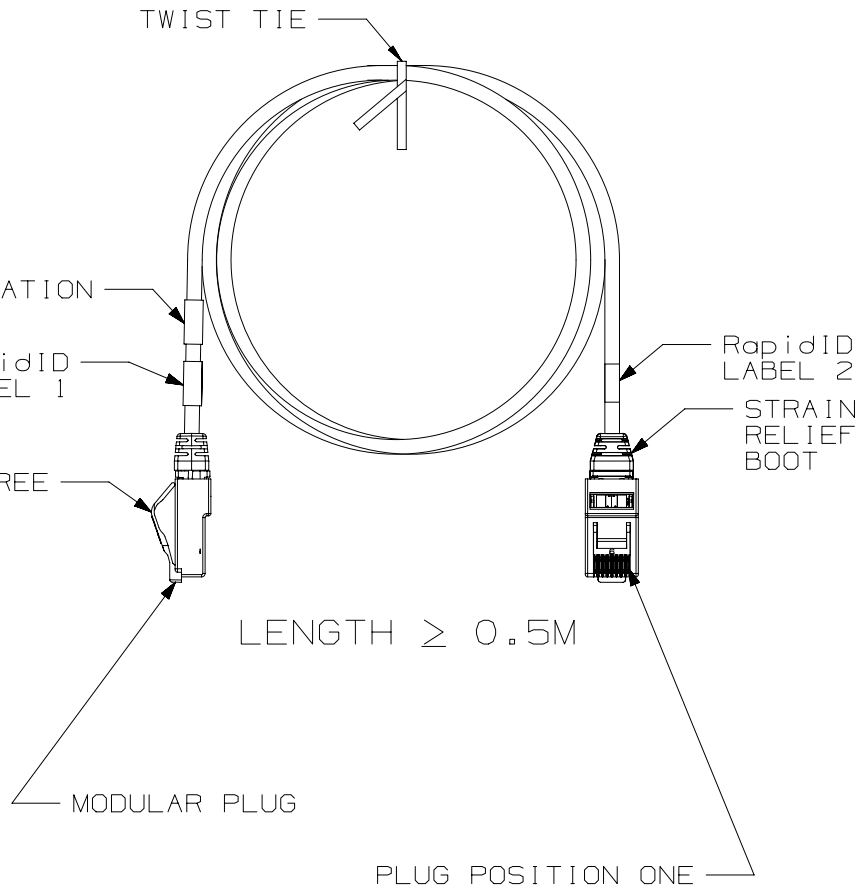


THIS COPY IS PROVIDED ON A RESTRICTED BASIS AND IS NOT TO BE USED IN ANY WAY DETRIMENTAL TO THE INTERESTS OF PANDUIT CORP.



NOTES:

1. CATEGORY 6A UTP 28AWG COPPER PATCH CORDS
2. c(UL)us LISTED, FILE NUMBER E129886
3. TERMINATED WITH (8 POSITION) MODULAR PLUGS AT BOTH ENDS PER T568B. (SEE TABLE 1)
4. CONSTRUCTED WITH 28AWG SOLID CONDUCTOR CATEGORY 6A F/UTP HALOGEN FREE (CM/LSZH) PATCH CABLE
5. MATERIALS:  
PLUG: POLYCARBONATE  
CONTACTS: GOLD PLATED PHOSPHOR BRONZE
6. NOMINAL CABLE DIAMETER IS 0.185IN (4.7MM).
7. ALL MATERIALS AND COMPONENTS USED MUST MEET THE MATERIALS RESTRICTIONS OF RoHS, (EUROPEAN DIRECTIVE 2011/65/EU ON THE RESTRICTION OF HAZARDOUS SUBSTANCES) AS PROPOSED BY THE RoHS TECHNICAL ADAPTATION COMMITTEE.
8. 100% FACTORY TESTED FOR CATEGORY 6A PATCH CORD PERFORMANCE
9. USE 28AWG CAT6A JACK (CJT6X88TG\*\*) FOR FIELD TERMINATION.
10. (A)=FINAL PATCH CORD ASSEMBLY LENGTH REQUIREMENT  
(Y)=PATCH CORDS ASSEMBLY LENGTH CODES, NO SUFFIX=FT, IN=INCHES, M=METERS (SEE TABLE 3, PAGE 2)  
(\*\*)=COLOR OF CABLE JACKET (SEE TABLE 2)

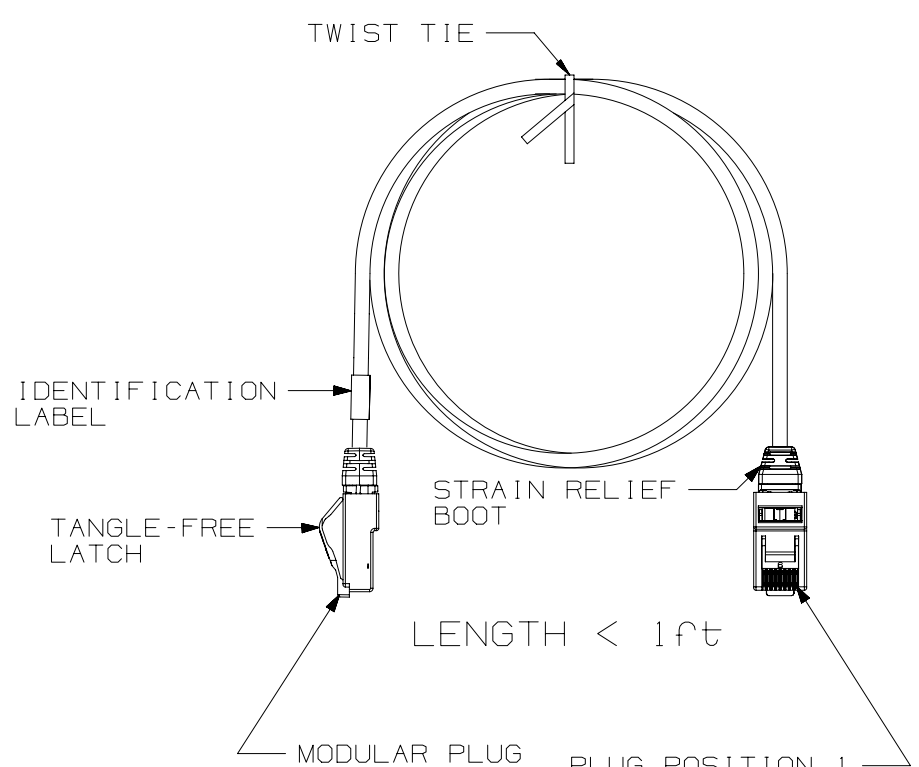
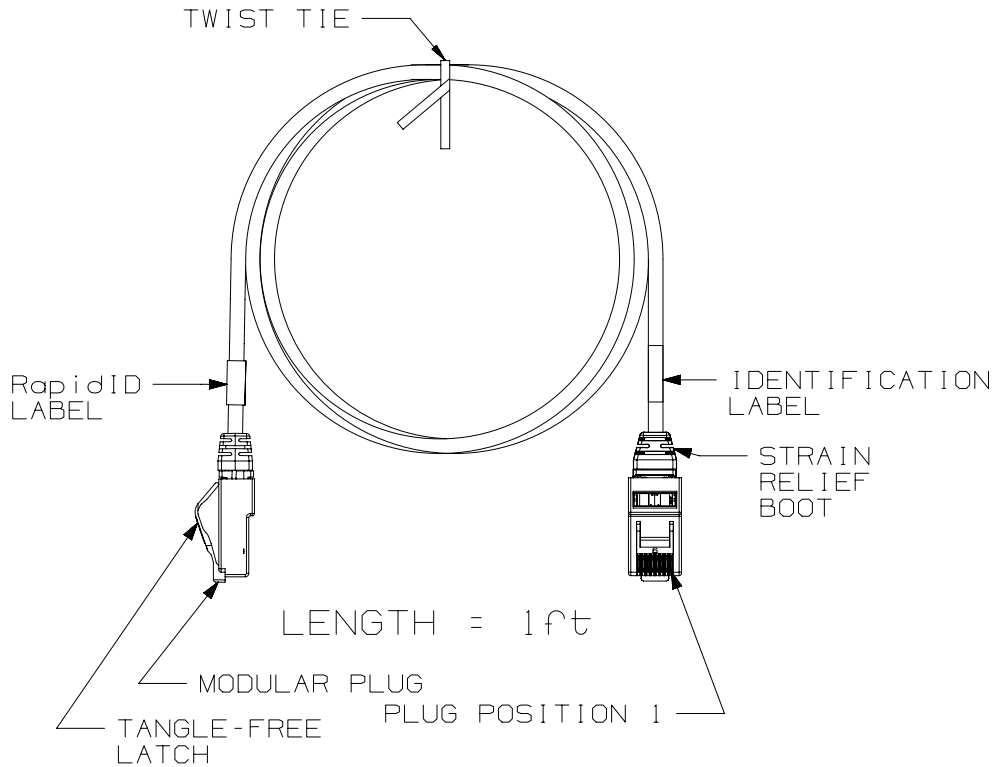
CABLE COLORS	** = COLOR
OFF WHITE	--
BLACK	BL
BLUE	BU
RED	RD
YELLOW	YL
GREEN	GR
ORANGE	OR
VIOLET	VL
GREY	GY
PINK	PK
PASTEL BLUE	PB

PLUG POSITION	CABLE CONDUCTOR COLOR
1	WHITE - ORANGE
2	ORANGE
3	WHITE - GREEN
4	BLUE
5	WHITE - BLUE
6	GREEN
7	WHITE - BROWN
8	BROWN

PART NUMBER		UTP28X <del>AA</del> Y** (SEE NOTE 10)	
TITLE			
CATEGORY 6A UTP 28AWG COPPER PATCH CORDS (CM/LSZH)		CUSTOMER DRAWING	
ITEM REVISION NAME		13M465AE/14	
DATASET FILE NAME		13M465AE_DC02/14A	
		THIRD ANGLE PROJECTION	
MATERIAL		SEE NOTE 5	
DRAWING NUMBER		13M465AE-02	
DRAWN BY	DATE	CHK	SCALE
BJN	11-20-14	DCS	NONE
REV	DATE	BY	CHK
14A	5-21-21	BJN	REFR
APR		RWI	
DESCRIPTION		ECN	
ADDED RAPID ID LABELING REVISED AND REDRAWN PREVIOUS REVS REMOVED FOR CLARITY		13M465AE-02	
SHEET 1 OF 2		SIZE A	

A-SIZE CUSTOMER

THIS COPY IS PROVIDED ON A RESTRICTED BASIS AND IS NOT TO BE USED IN ANY WAY DETRIMENTAL TO THE INTERESTS OF PANDUIT CORP.



PART NUMBER		UTP28XAA* (SEE NOTE 10)	
TITLE		CATEGORY 6A UTP 28AWG COPPER PATCH CORDS (CM/LSZH)	
ITEM REVISION NAME		CUSTOMER DRAWING	
DATASET FILE NAME		13M465AE/14	
MATERIAL		13M465AE_DC02/14A	
DRAWING NUMBER		13M465AE-02	
THIRD ANGLE PROJECTION		SEE NOTE 5	
REV	DATE	BY	CHK
14A	5-21-21	BJN	ENG
REFR		RWI	DCS
DESCRIPTION		ECN	SCALE
SEE SHEET 1 FOR REVISION HISTORY		13M465AE-02	DCS
SHEET 2 OF 3		SIZE A	

A-SIZE CUSTOMER

THIS COPY IS PROVIDED ON A RESTRICTED BASIS AND IS NOT TO BE USED IN ANY WAY DETRIMENTAL TO THE INTERESTS OF PANDUIT CORP.

PANDUIT P/N	MIN. ASSY LENGTH
UTP28X6IN**	6 INCHES
UTP28X8IN**	8 INCHES
UTP28X1**	1 FOOT
UTP28X2**	2 FEET
UTP28X3**	3 FEET
UTP28X4**	4 FEET
UTP28X5**	5 FEET
UTP28X6**	6 FEET
UTP28X7**	7 FEET
UTP28X8**	8 FEET
UTP28X9**	9 FEET
UTP28X10**	10 FEET
UTP28X11**	11 FEET
UTP28X12**	12 FEET
UTP28X13**	13 FEET
UTP28X14**	14 FEET
UTP28X15**	15 FEET
UTP28X16**	16 FEET
UTP28X17**	17 FEET
UTP28X18**	18 FEET
UTP28X19**	19 FEET
UTP28X20**	20 FEET
UTP28X21**	21 FEET
UTP28X22**	22 FEET
UTP28X23**	23 FEET
UTP28X24**	24 FEET
UTP28X25**	25 FEET
UTP28X26**	26 FEET
UTP28X27**	27 FEET
UTP28X28**	28 FEET
UTP28X29**	29 FEET
UTP28X30**	30 FEET
UTP28X31**	31 FEET
UTP28X32**	32 FEET
UTP28X33**	33 FEET
UTP28X34**	34 FEET

PANDUIT P/N	MIN. ASSY LENGTH
UTP28X35**	35 FEET
UTP28X36**	36 FEET
UTP28X37**	37 FEET
UTP28X38**	38 FEET
UTP28X39**	39 FEET
UTP28X40**	40 FEET
UTP28X41**	41 FEET
UTP28X42**	42 FEET
UTP28X43**	43 FEET
UTP28X44**	44 FEET
UTP28X45**	45 FEET
UTP28X46**	46 FEET
UTP28X47**	47 FEET
UTP28X48**	48 FEET
UTP28X49**	49 FEET
UTP28X50**	50 FEET
UTP28X55**	55 FEET
UTP28X60**	60 FEET
UTP28X65**	65 FEET
UTP28X70**	70 FEET
UTP28X75**	75 FEET
UTP28X80**	80 FEET
UTP28X85**	85 FEET
UTP28X90**	90 FEET
UTP28X95**	95 FEET
UTP28X100**	100 FEET
UTP28X105**	105 FEET
UTP28X110**	110 FEET
UTP28X115**	115 FEET
UTP28X120**	120 FEET
UTP28X125**	125 FEET
UTP28X130**	130 FEET
UTP28X0.2M**	0.2 METER
UTP28X0.5M**	0.5 METER
UTP28X1M**	1 METER
UTP28X1.5M**	1.5 METER

PANDUIT P/N	MIN. ASSY LENGTH
UTP28X2M**	2 METER
UTP28X2.5M**	2.5 METER
UTP28X3M**	3 METER
UTP28X3.5M**	3.5 METER
UTP28X4M**	4 METER
UTP28X4.5M**	4.5 METER
UTP28X5M**	5 METER
UTP28X5.5M**	5.5 METER
UTP28X6M**	6 METER
UTP28X6.5M**	6.5 METER
UTP28X7M**	7 METER
UTP28X7.5M**	7.5 METER
UTP28X8M**	8 METER
UTP28X8.5M**	8.5 METER
UTP28X9M**	9 METER
UTP28X9.5M**	9.5 METER
UTP28X10M**	10 METER
UTP28X11M**	11 METER
UTP28X12M**	12 METER
UTP28X13M**	13 METER
UTP28X14M**	14 METER
UTP28X15M**	15 METER
UTP28X16M**	16 METER
UTP28X17M**	17 METER
UTP28X18M**	18 METER
UTP28X19M**	19 METER

PANDUIT P/N	MIN. ASSY LENGTH
UTP28X20M**	20 METER
UTP28X25M*	25 METER
UTP28X30M**	30 METER
UTP28X35M**	35 METER
UTP28X40M**	40 METER

TABLE 3: CATEGORY 6A UTP 28AWG PATCH CORDS AVAILABLE LENGTHS
INCH (IN)
FEET (NO SUFFIX)
METER (M)

PART NUMBER <b>UTP28XAA* (SEE NOTE 10)</b>	
TITLE <b>CATEGORY 6A UTP 28AWG COPPER PATCH CORDS (CM/LSZH)</b>	
CUSTOMER DRAWING	
ITEM REVISION NAME <b>13M465AE/14</b>	
DATASET FILE NAME <b>13M465AE_DC02/14A</b>	
THIRD ANGLE PROJECTION	
MATERIAL <b>SEE NOTE 5</b>	DRAWING NUMBER <b>13M465AE-02</b>
DRAWN BY <b>BJN</b>	DATE <b>11-20-14</b>
CHK <b>DCS</b>	SCALE <b>NONE</b>
SHEET 3 OF 3	
SIZE <b>A</b>	

14A	5-21-21	BJN	REFR	RWI	SEE SHEET 1 FOR REVISION HISTORY	13M465AE-02
REV	DATE	BY	CHK	APR	DESCRIPTION	ECN

A-SIZE CUSTOMER

B

B

A

A