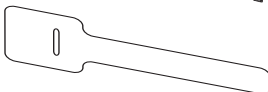


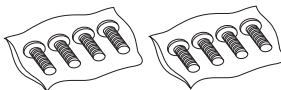
Contents:



5 - Pan-Ty Cable Ties (PLT2S)



10 - Tay-Ty Hook & Loop Cable Ties (HLT2I)



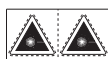
8 - #12-24 x 1/2" screws



8 - #10-32 x 1/4" screws



1 - #12-24 hex nut



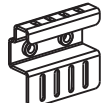
1 - Laser warning label



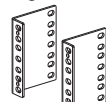
1 - Grounding lug (LAMA2-14)



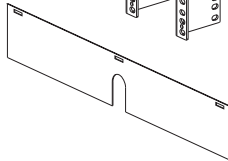
1 - Caution label



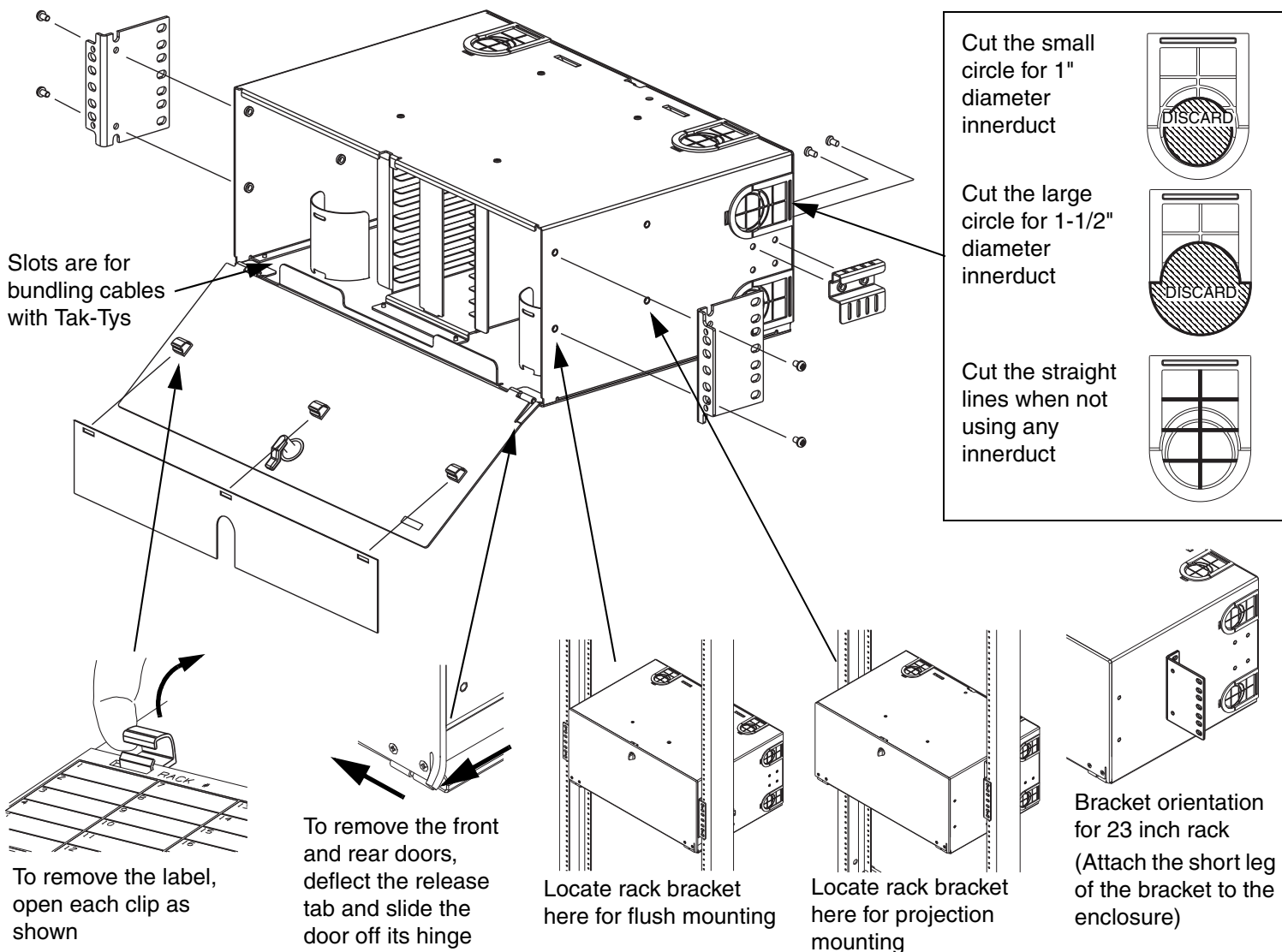
1 - Universal strain relief bracket



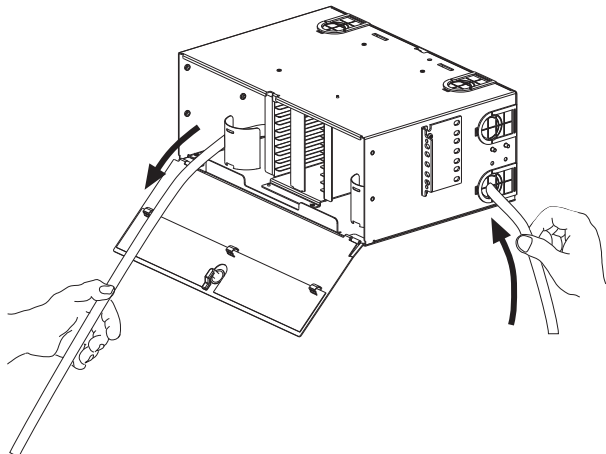
2 - Rack brackets



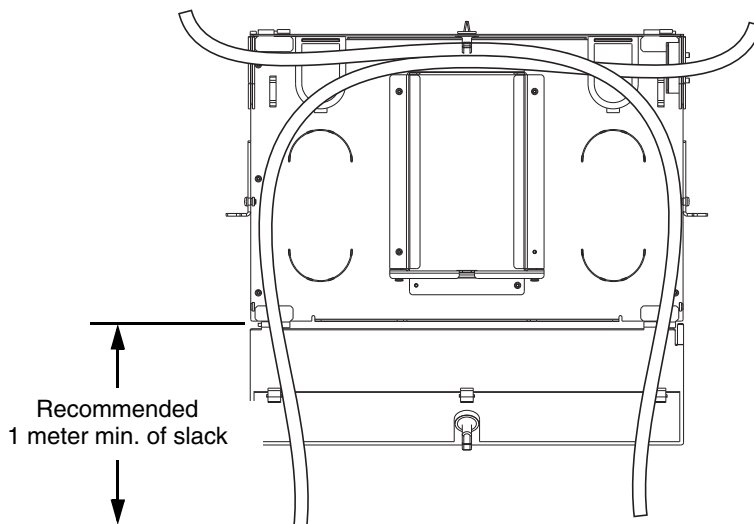
1 - Location label (FRME144SLB)



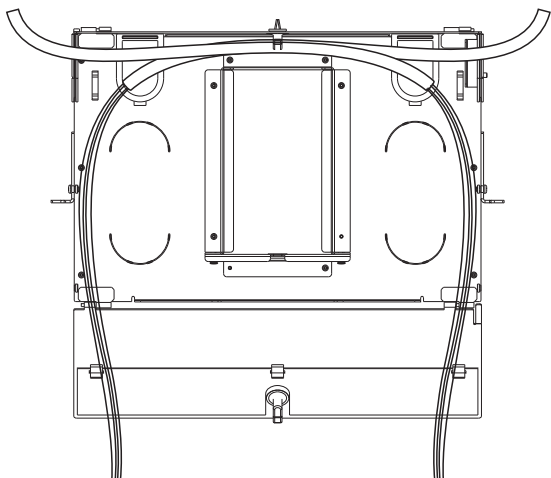
1. Insert first cable.



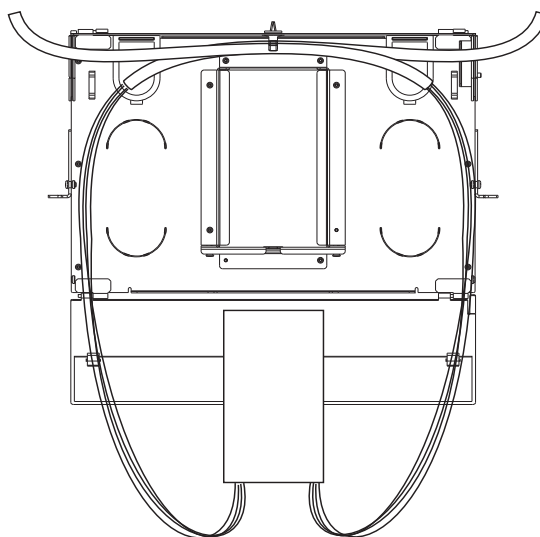
2. Insert Second Cable



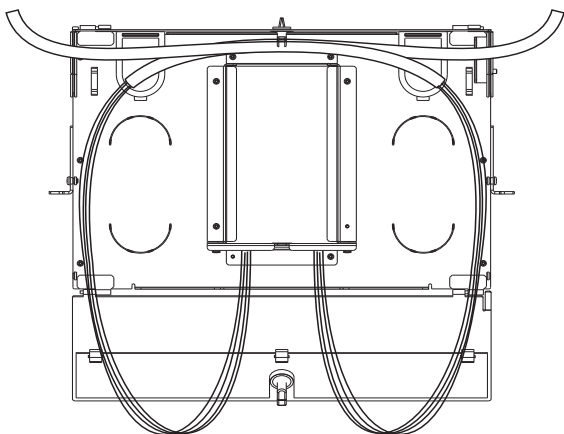
3. Remove cable jacket.



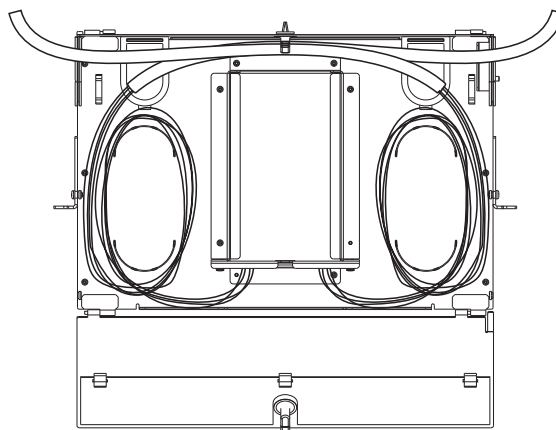
4. Splice cables in tray.



5. Insert tray (start at bottom shelf)



6. Coil Cable In Enclosure



For Instructions in Local Languages
and Technical Support:

www.panduit.com/resources/install_maintain.asp

PANDUIT

www.panduit.com

E-mail:
techsupport@panduit.com

Phone:
866-405-6654