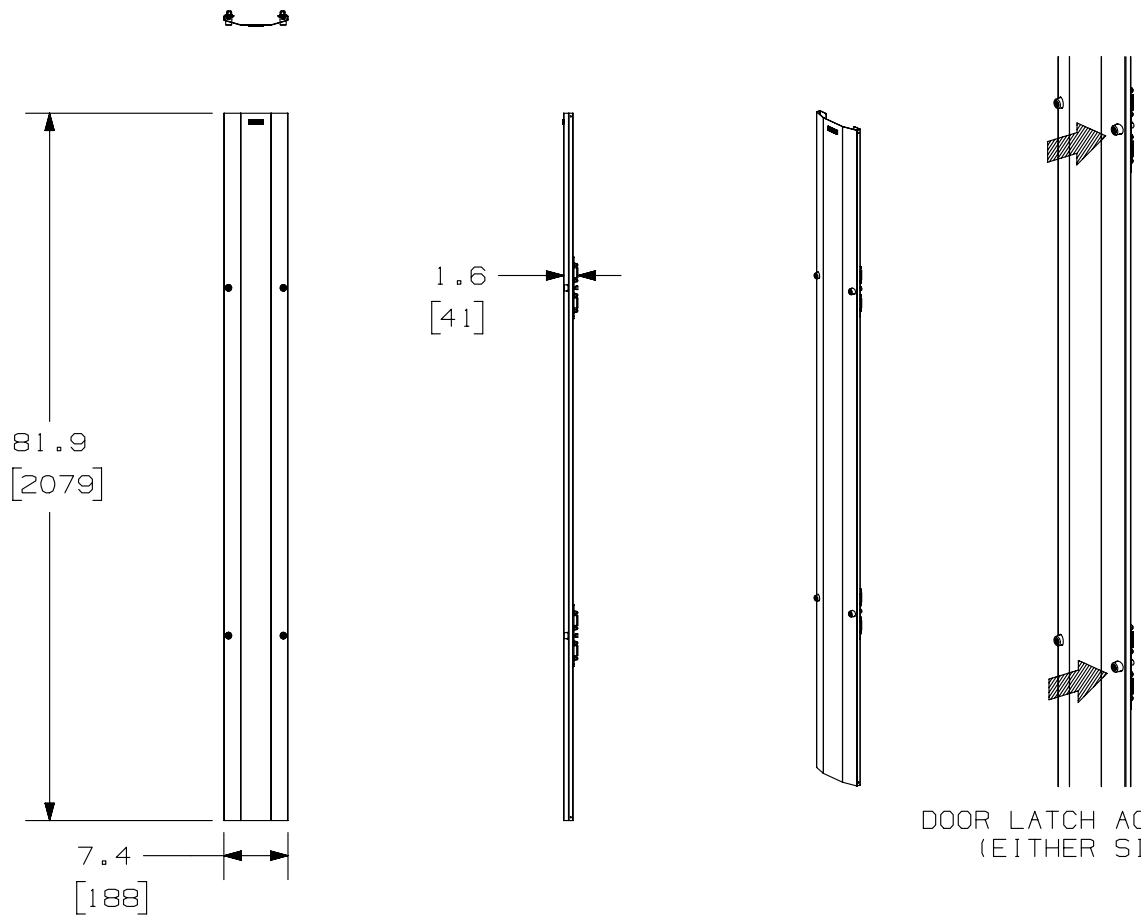


THIS COPY IS PROVIDED ON A RESTRICTED BASIS AND IS NOT TO BE USED IN ANY WAY DETRIMENTAL TO THE INTERESTS OF PANDUIT CORP.

PANDUIT P/N	WEIGHT
NRD6B1	3.5 LBS/ EACH (1.6 kg/ EACH)



DOOR LATCH ACTIVATION
(EITHER SIDE)

NOTES:

- VISIT OUR ON-LINE CATALOG AT WWW.PANDUIT.COM FOR A CURRENT LIST OF PRODUCTS APPLICABLE FOR USE WITH THIS PART.
- DOORS OPEN TO THE LEFT OR THE RIGHT.
- DIMENSIONS IN PARENTHESIS ARE METRIC.
- ALL DIMENSIONS ARE REFERENCE ONLY.
- ALUMINUM WITH BLACK POWDER COAT FINISH.
- COMPONENTS:
1- 6" DOOR

REV	DATE	BY	CHK	APR	DESCRIPTION	ECN
01A	11-25-13	BAME	FGR	CMK	UPDATED VIEWS	V10661ZB-DC
00B	4-23-13	BAME	FGR	CMK	REVISED TITLE BLOCK	V10661ZB-DC
00A	8-20-12	BAME	FGR	CMK	DRAWING RELEASED	V10661ZB-DC

TITLE NETRUNNER HIGH CAPACITY DOOR, 6" WIDE (NRD6B1)					
CUSTOMER DRAWING					
ITEM REVISION NAME V10661ZB/01				PANDUIT	
DATASET FILE NAME V10661ZB_DC/01A					
UNLESS OTHERWISE SPECIFIED, DIMENSIONAL TOLERANCES ARE: IN [mm]				MATERIAL: ALUMINUM	
.X ±		.XXX ±		DRAWING NUMBER: V10661ZB-DC	
.XX ±		ANGLES ±			
THIRD ANGLE PROJECTION					
DRAWN BY BAME	DATE 8-20-12	CHK FGR	SCALE NONE	SHT 1 OF 1	
				SIZE A	

D10100DA/15