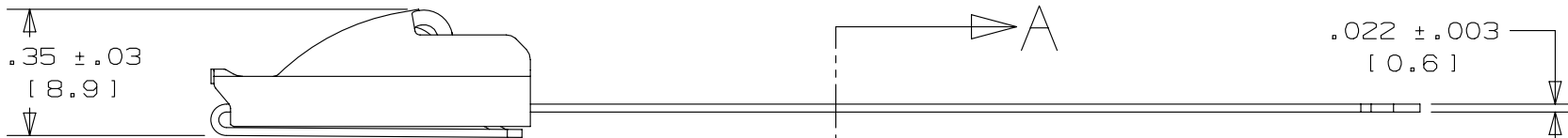
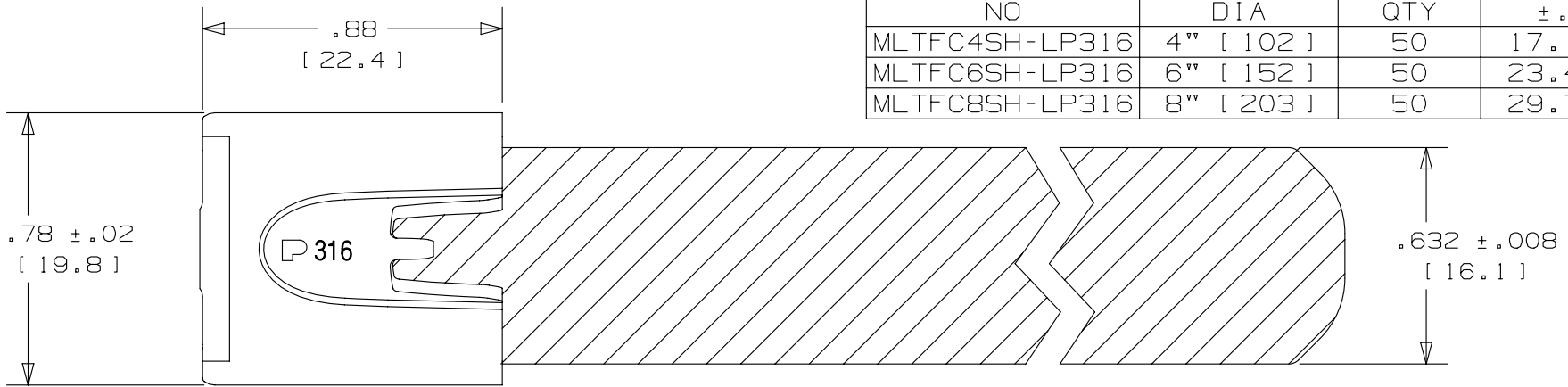
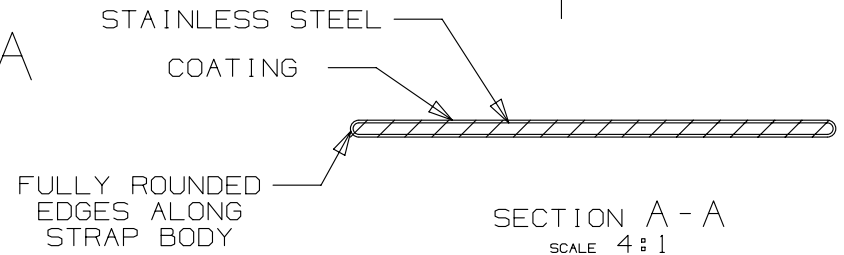


THIS COPY IS PROVIDED ON A RESTRICTED BASIS AND IS NOT TO BE USED IN ANY WAY DETRIMENTAL TO THE INTERESTS OF PANDUIT CORP.

PANDUIT PART NO	MAX. BUNDLE DIA	PACKAGE QTY	"L" LENGTH ±.3" [7]
MLTFC4SH-LP316	4" [102]	50	17.1" [434]
MLTFC6SH-LP316	6" [152]	50	23.4" [594]
MLTFC8SH-LP316	8" [203]	50	29.7" [754]



- NOTES:
- APPLICATION TOOLS - RT2HT
 - MINIMUM LOOP TENSILE STRENGTH - 450 LBS. (2002 NEWTONS) WHEN TESTED ON A 3" MANDREL
 - BRACKETS [] DENOTE DIMENSIONS IN MILLIMETERS, AND ARE SHOWN FOR REFERENCE ONLY
 - TOLERANCES:
 .XXX = ±.010 [.25] .XX = ±.02 [.5]
 .X = ±.03 [.8] ANGLES = ±2°
 - MATERIAL: 316 STAINLESS STEEL
 - COATING - POLYESTER
 COATING THICKNESS: .002 MIN./ .005 MAX. PER SIDE



REV	DATE	BY	CHK	APR	DESCRIPTION	ECN
04A	4/13	JAMB	MIM	RGRO	UPDATE DRAWING TO MNEW GLOBAL PANDUIT TITLE BLOCK WITH PANDUIT LOGO	SSECN01049
03A	2/12	MIM	RGRO	---	NOTE #3 - METRIC DIMENSIONS NOTED AS BEING SHOWN FOR REFERENCE ONLY	----

TITLE		METAL LOCKING TIE SUPER HEAVY DUTY FULLY COATED		
CUSTOMER DRAWING				
ITEM REVISION NAME	N41201BS/04			
DATASET FILE NAME	N41201BS_DC/04A			
UNLESS OTHERWISE SPECIFIED, DIMENSIONAL TOLERANCES ARE: IN [mm]		PANDUIT MATERIAL: 316 STAINLESS STEEL DRAWING NUMBER: N41201BS_DC		
.x ± .1 [2.54]	.xxx ± .005 [.127]			
.xx ± .01 [.25]	THIRD ANGLE PROJECTION		SHT 1 OF 1	
DRAWN BY	DATE	CHK	SCALE	SIZE
JMMR	2/12	EJD	2:1	A