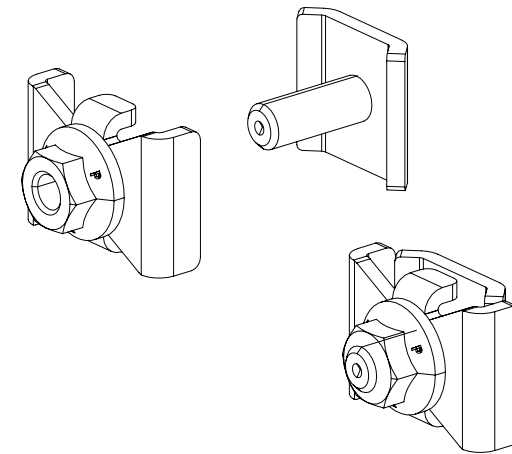
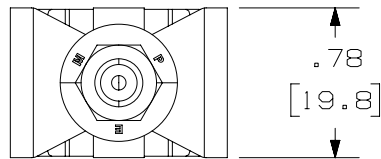
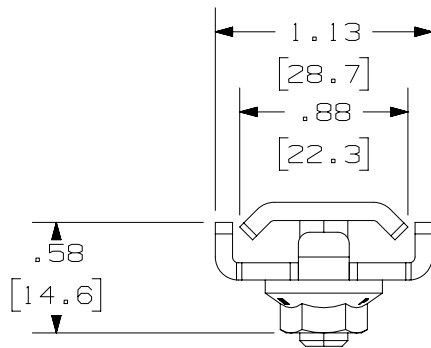


THIS COPY IS PROVIDED ON A RESTRICTED BASIS AND IS NOT TO BE USED IN ANY WAY DETRIMENTAL TO THE INTERESTS OF PANDUIT CORP.

PANDUIT P/N	WEIGHT
PWBSPL**	3.31 LBS/KIT (1501.4g)/KIT

NOTES:

- VISIT OUR ON-LINE CATALOG AT WWW.PANDUIT.COM FOR A LIST OF CURRENT PARTS APPLICABLE FOR USE WITH THIS PRODUCT.
- DIMENSIONS IN () ARE METRIC.
- ALL MATERIALS AND COMPONENTS USED MEET THE MATERIAL RESTRICTIONS OF RoHS (EUROPEAN DIRECTIVE 2011/65/EU ON THE RESTRICTION OF HAZARDOUS SUBSTANCES) AS PROPOSED BY THE RoHS TECHNICAL ADAPTATION COMMITTEE.
- PART INCLUDES:
50- C-CLIPS W/STUD
50- JOINER CLIP WITH SPINNING NUT



TITLE										WIRE BASKET BOLT-ON SPLICE (PACK OF 50)									
										CUSTOMER DRAWING									
ITEM REVISION NAME					00510END/00					PANDUIT									
DATASET FILE NAME					00510END_DC/00C														
MATERIAL										ZINC PLATED CRS									
DRAWN BY										SHEET 1 OF 1									
DATE										A									
CHK										SHEET 1 OF 1									
SCALE										A									
SAT										A									
03-12-21										A									
JGD										A									
NONE										A									

REV	DATE	BY	CHK	APR	DESCRIPTION	ECN
00C	12-14-23	SAT	DWR	EB	B. UPDATED TITLE.	00510END-DC
00B	4/18/22	JSP	DWR	ML	A. ADDED WEIGHT CHART.	00510END-DC
00A	03-12-21	SAT	JGD	ML	INITIAL RELEASE	00510END-DC

A-SIZE CUSTOMER