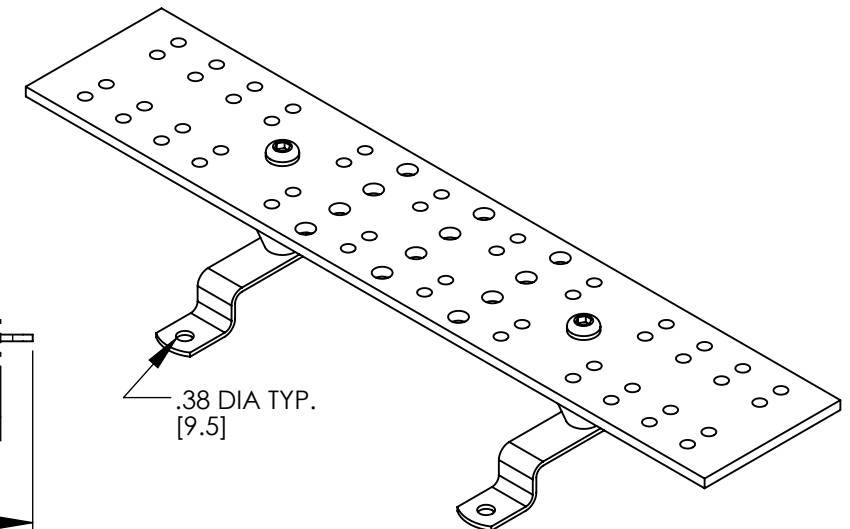
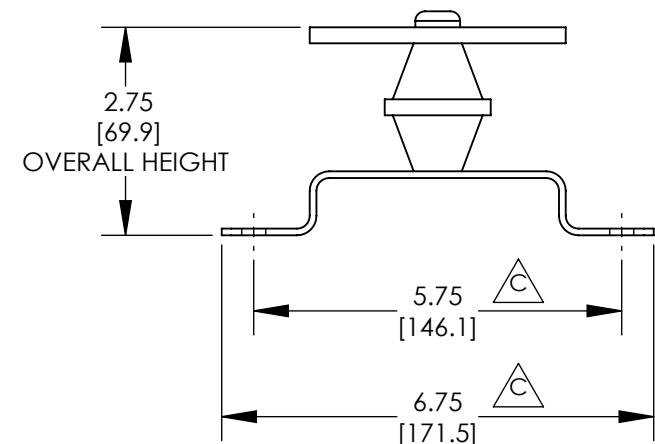
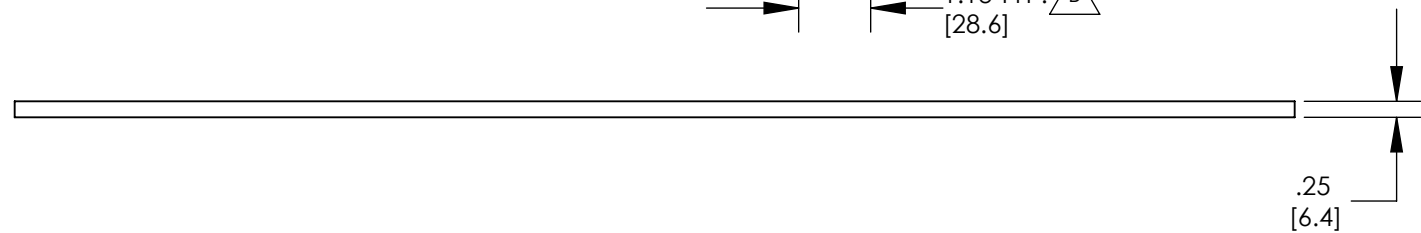
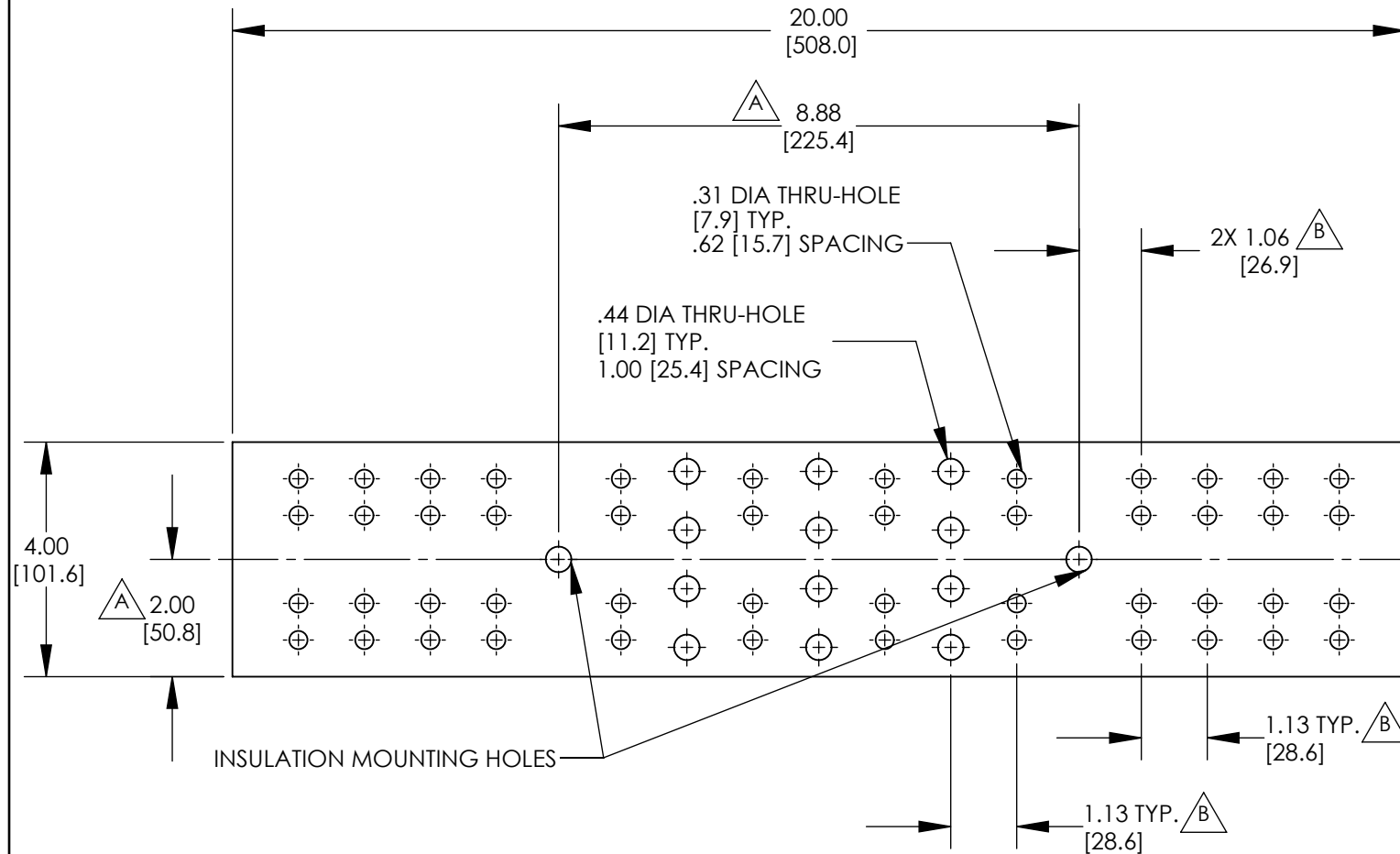


THIS COPY IS PROVIDED ON A RESTRICTED BASIS AND IS NOT TO BE USED IN ANY WAY DETRIMENTAL TO THE INTERESTS OF PANDUIT CORP.

NOTES:

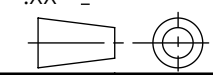
1. KIT COMES FULLY ASSEMBLED
2. KIT INCLUDES BUSBAR, MOUNTING BRACKETS, INSULATORS, AND MOUNTING HARDWARE.
3. MEETS BICSI/ANSI/TIA-607-D
4. DIMENSIONS IN PARENTHESIS ARE MILLIMETERS.



ASSEMBLED AS SHOWN

REV	DATE	BY	CHK	APR	DESCRIPTION	ECN
08	10/22	JHNU	JHNU	JADE	C. ADDED MOUNTING BRACKET DIMENSIONS B. ADDED HOLE SPACING DIMENSIONS	126787
07	8/22	JHNU	JHNU	ALP	A. ADDED MOUNTING HOLE DISTANCE DIMENSIONS	125516
06	3/22	JHNU	JHNU	ALP	REVISED NOTE 3: MEETS BICSI/ANSI/TIA-607-D WAS MEETS BICSI/J-STD-607-A	119913
05	3/13	JHNU	JHNU	RGB	REVISED TITLE BLOCK	N41503BA-C41503

TITLE		GROUNDING BUSBAR (GB4B0624TPI) CUSTOMER DRAWING	
ITEM REVISION NAME	N41503BA/08		
DATASET FILE NAME	C41503 r08.SLDDRW		
UNLESS OTHERWISE SPECIFIED, DIMENSIONAL TOLERANCES ARE: IN [mm]			
.X ±	.XXX ±		MATERIAL
.XX ±	ANGLES ±		
DRAWN BY		DATE	CHK
JHNU		2/05	SCALE
		SCALE	NONE
DRAWING NUMBER			C41503
SHEET 1 OF 1			SIZE
			B



THIRD ANGLE
PROJECTION