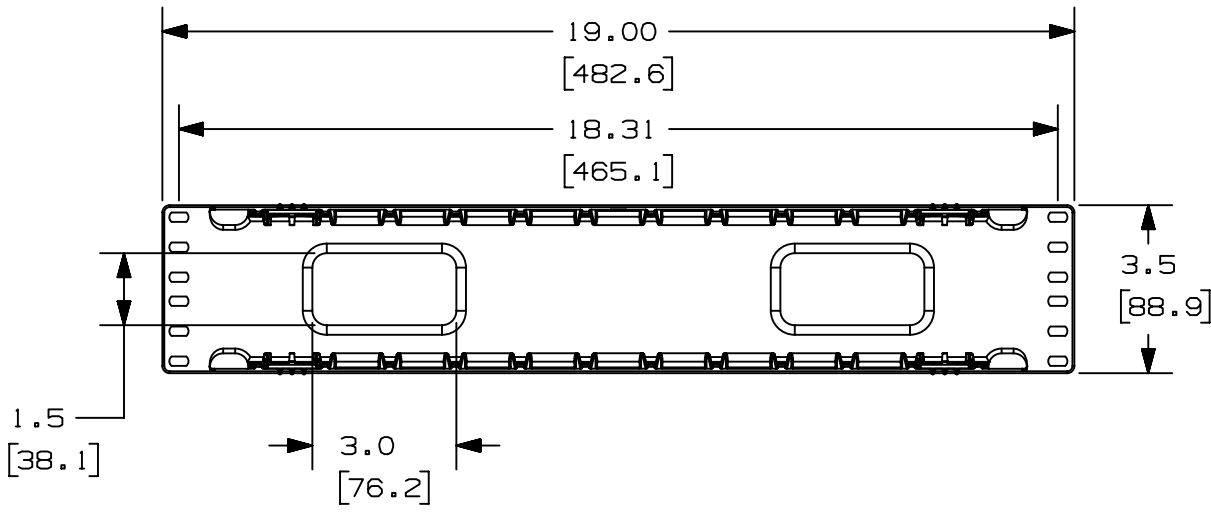


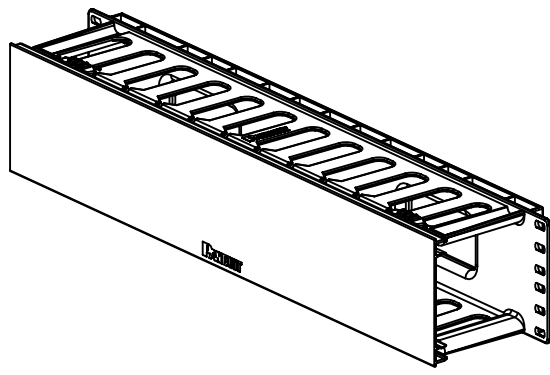
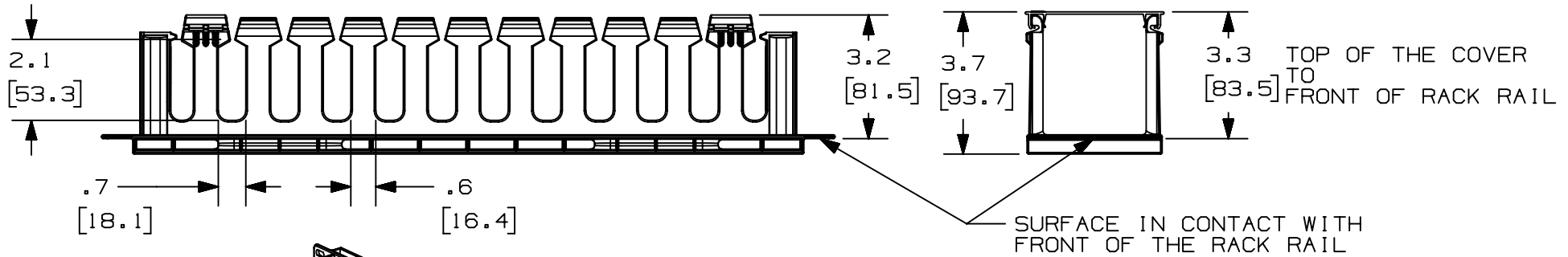
THIS COPY IS PROVIDED ON A RESTRICTED BASIS AND IS NOT TO BE USED IN ANY WAY DETRIMENTAL TO THE INTERESTS OF PANDUIT CORP.



PANDUIT P/N	WEIGHT
WMPHF2E	1.4 lbs/EACH 635 g/EACH

- NOTES:
- DESIGNED FOR MOUNTING ON 19" EIA RACKS.
 - COMPONENTS:
1- MANAGER
1- 19.375" DUAL HINGED COVER
4- #12-24 x 2" SCREWS
2- BEND RADIUS CLIPS
 - DIMENSIONS IN PARENTHESES ARE METRIC.

MAX STORAGE TEMPERATURE 65°C (149°F)
MAX OPERATING TEMPERATURE 60°C (140°F)



TITLE												
WMPHF2E HORIZONTAL MANAGER												
CUSTOMER DRAWING												
ITEM REVISION NAME					V10101WF/11							
DATASET FILE NAME					V10101WF_DC/11A							
					THIRD ANGLE PROJECTION							
MATERIAL					ABS							
DRAWING NUMBER					10101-25							
REV	DATE	BY	CHK	APR	DESCRIPTION	ECN	DRAWN BY	DATE	CHK	SCALE	SHEET 1 OF 1	SIZE
11A	3-23-23	JBO	KRKE	KCOR	UPDATED COVER TO CURRENT LOGO	M09000SE	JDWE	12-17-02	MECA	NONE		A

A-SIZE CUSTOMER