



# PAN-WAY SINGLE GANG FAST SNAP JUNCTION BOX

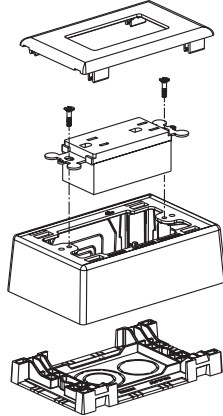
PANDUIT PART NUMBERS: JB1FS, JB1FSD, JBP1FS

## INSTALLATION INSTRUCTIONS

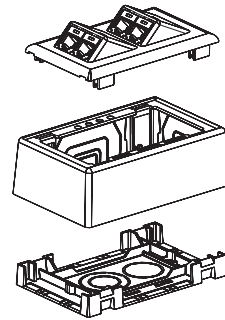
© Panduit Corp. 2009

Printed In USA

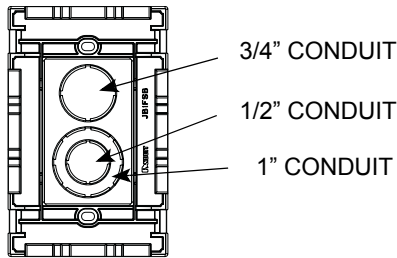
### POWER APPLICATIONS



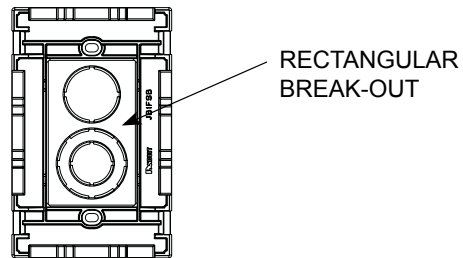
### DATA APPLICATIONS



### CONDUIT APPLICATIONS

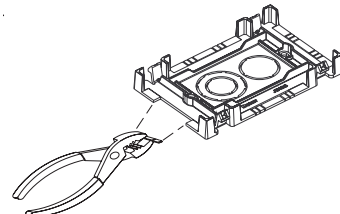
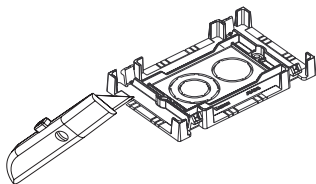
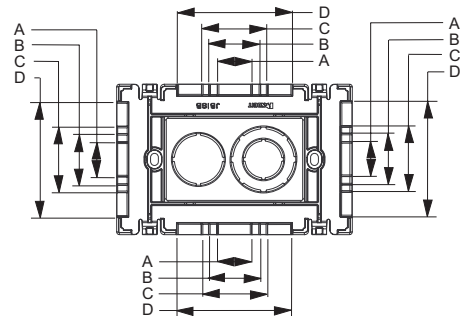


### IN-WALL BOX APPLICATIONS



### Ordering Information

Base	Raceway
A	LDPH3, LDS3, LD3
B	LDPH5, LDS5, LD5
C	LDPH10, LD10
D	T45

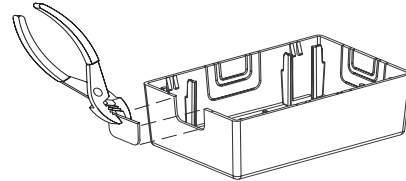
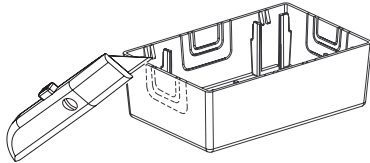
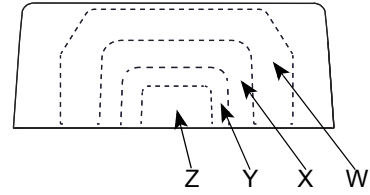


For Technical Assistance, Call: 800-777-3300

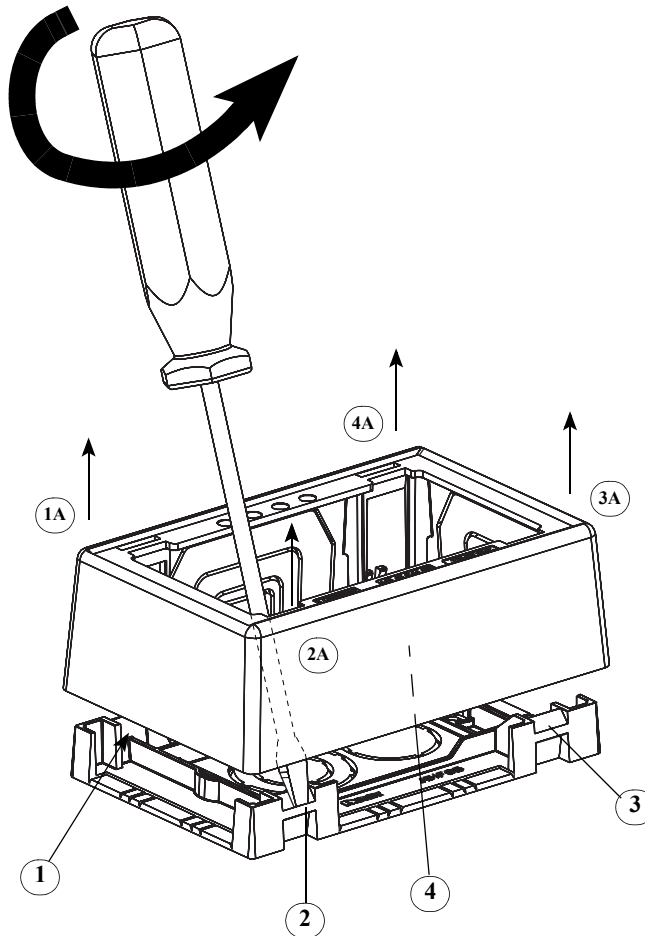
# INSTALLATION INSTRUCTIONS

## Ordering Information

Cover	Raceway
W	T45
X	LDPH10, LD10
Y	LDPH5, LDS5, LD5
Z	LDPH3, LDS3, LD3



## COVER REMOVAL



Instruction Sheet RW54E

## WORLDWIDE SUBSIDIARIES AND SALES OFFICES

17301 Ridgeland Avenue  
Tinley Park, IL 60477-3901  
Web Site: [www.panduit.com](http://www.panduit.com)



RACEWAY SYSTEMS DIVISION

Fax: 708-532-1811  
Technical Support: 800-777-3300