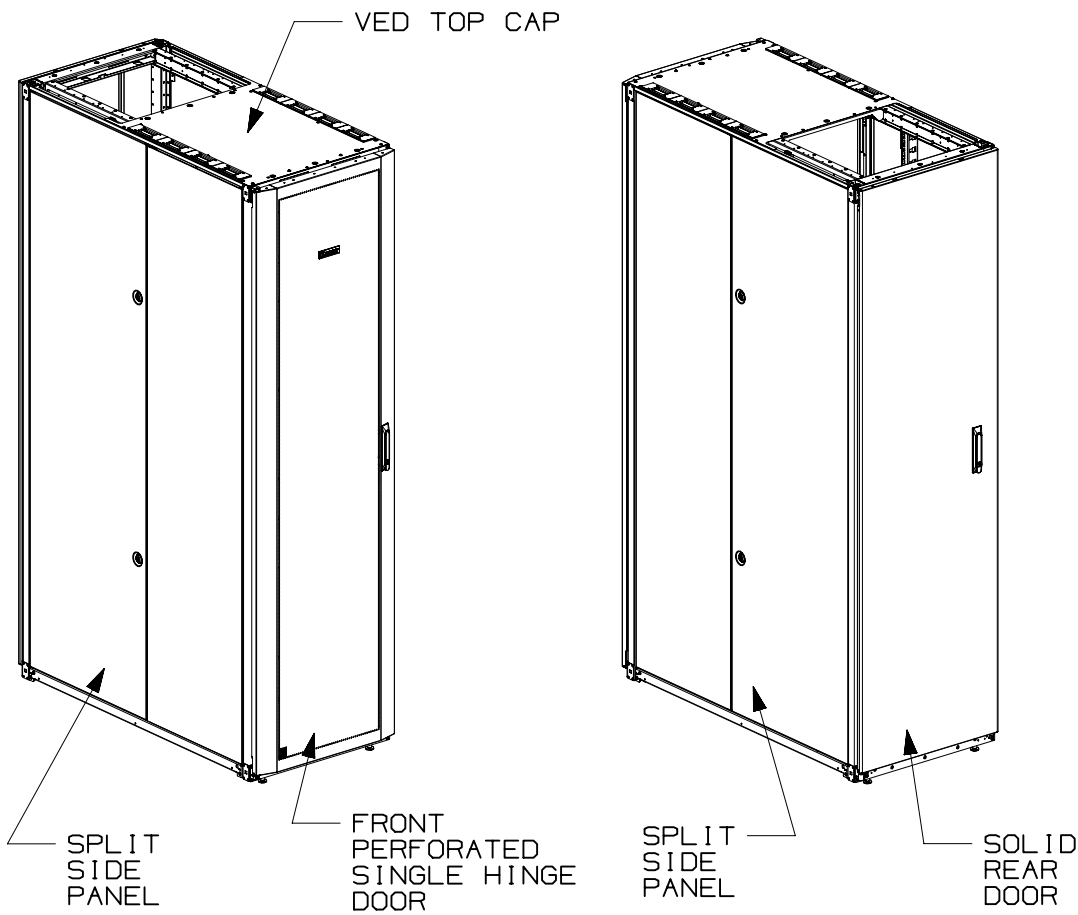


THIS COPY IS PROVIDED ON A RESTRICTED BASIS AND IS NOT TO BE USED IN ANY WAY DETRIMENTAL TO THE INTERESTS OF PANDUIT CORP.

1. VISIT OUR ON-LINE CATALOG AT WWW.PANDUIT.COM FOR A LIST OF CURRENT PARTS APPLICABLE FOR USE WITH THIS PRODUCT.
2. PRIMARY DIMENSIONS ARE IN MILLIMETERS.
3. RAIL ADJUSTMENT MEASUREMENTS ARE TAKEN FROM THE FRONT FACE OF EACH EQUIPMENT RAIL. INDEPENDENT ADJUSTABLE REAR EQUIPMENT MOUNTING RAILS (EIA) ADJUST FROM 65mm [2.6in] TO 435mm [17.1in] AND FROM 583mm [22.9in] TO 919mm [36.2in] WITH PDU BRACKETS AND CABLE MANAGEMENT FINGERS IN PLACE. REMOVING PDU BRACKETS AND OPTIONAL FINGERS INCREASES MAXIMUM E-RAIL SPAN TO 1065mm [41.9in].
4. CAN BE USED WITH ANY 19" EIA STANDARD COMPONENT IN ADDITION TO ALL PANDUIT HORIZONTAL CABLE MANAGEMENT AND PATCH PANEL PRODUCTS.
5. EIA UNIVERSAL STANDARD HOLE PROGRESSION ON EQUIPMENT RAILS 15.88mm [.625in], 15.88mm [.625in], 12.70mm [.5in], 15.88mm [.625in], 15.88mm [.625in], 12.7mm [.5in]...ETC.
6. PARTS SUPPLIED:
 - BASE CABINET
 - FRONT PERFORATED SINGLE HINGE DOOR (SEE CHART ON SHEET 2)
 - SOLID REAR DOOR (SEE CHART ON SHEET 2)
 - SPLIT SIDE PANELS (SEE CHART ON SHEET 2)
 - CAGE NUT EQUIPMENT RAILS FRONT & REAR (SEE CHART ON SHEET 2)
 - PDU BRACKETS (SEE CHART ON SHEET 2)
 - CASTERS (SEE CHART ON SHEET 2)
 - (8) BEZELS AND BLANKS
 - CABINET HARDWARE KIT
 - INSTRUCTION SHEET
7. RACK UNIT SPACING NUMERALS ARE CLEARLY PRINTED ON EQUIPMENT MOUNTING RAILS.
8. FULLY BONDED STRUCTURE WHEN ASSEMBLED PER INSTRUCTIONS.
9. STATIC LOAD RATING. 1360 Kg (3000 LBS)
10. ROLLING LOAD RATING. 1133 Kg (2500 LBS)
11. SINGLE POINT GROUND LOCATIONS AT TOP AND BOTTOM OF CABINET.
12. ALL CABINET RAILS ARE INSTALLED NUMBERS UP.
13. MAXIMUM EQUIPMENT DEPTH, 1111mm [43.75].



REV	DATE	BY	CHK	APR	DESCRIPTION	ECN
O1B	02-27-15	MDCA	BRAP	TCN	REVISED TOP VIEW; UPDATED NOTES	V09000HA
O1A	12-05-14	PBS	ADP	TCN	FLOOR MOUNT DIMENSIONS UPDATED	V09000BX
OOA	2-14-13	TWV	JDW	JDWE	RELEASED TO PRODUCTION	12V343ST-DC

TITLE		NET-ACCESS S TYPE VED READY CABINET 600mm WIDE X 1200mm DEEP FAMILY		
CUSTOMER DRAWING				
ITEM REVISION NAME		12V343ST/01		
DATASET FILE NAME		12V343ST_DC/01B		
MATERIAL:		N/A		
DRAWING NUMBER:		12V343ST-DC		
THIRD ANGLE PROJECTION				
DRAWN BY	DATE	CHK	SCALE	SIZE
TWV	2-14-13	JDW	NONE	A

2

1

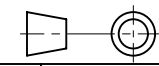
THIS COPY IS PROVIDED ON A RESTRICTED BASIS AND IS NOT TO BE USED IN ANY WAY DETRIMENTAL TO THE INTERESTS OF PANDUIT CORP.

PART NO.	DESCRIPTION	SINGLE HINGE FRONT DOOR	SOLID REAR DOOR	SPLIT SIDE PANEL	FRONT CAGE NUT E-RAIL	REAR CAGE NUT FINGER MGMT E-RAIL	STANDARD PDU BRACKETS	CASTERS	CABLE MGMT FINGERS	CABINET WEIGHT FULLY UNPACKAGED	CABINET WEIGHT SHIPPING WEIGHT
S6222*V	NET-ACCESS S-TYPE VED READY CABINET 600mm X 42RU X 1200mm DEEP	01	01	02	02	02	02	04	00	125 Kg/EACH 275 LBS/EACH	145 Kg/EACH 320 LBS/EACH
S6522*V	NET-ACCESS S-TYPE VED READY CABINET 600mm X 45RU X 1200mm DEEP	01	01	02	02	02	02	04	00	129 Kg/EACH 285 LBS/EACH	150 Kg/EACH 330 LBS/EACH
S6822*V	NET-ACCESS S-TYPE VED READY CABINET 600mm X 48RU X 1200mm DEEP	01	01	02	02	02	02	04	00	134 Kg/EACH 295 LBS/EACH	154 Kg/EACH 340 LBS/EACH
S6229*V	NET-ACCESS S-TYPE VED READY CABINET 600mm X 42RU X 1200mm DEEP	01	01	00	02	02	02	04	00	88 Kg/EACH 195 LBS/EACH	109 Kg/EACH 240 LBS/EACH
S6529*V	NET-ACCESS S-TYPE VED READY CABINET 600mm X 45RU X 1200mm DEEP	01	01	00	02	02	02	04	00	92 Kg/EACH 202 LBS/EACH	112 Kg/EACH 247 LBS/EACH
S6829*V	NET-ACCESS S-TYPE VED READY CABINET 600mm X 48RU X 1200mm DEEP	01	01	00	02	02	02	04	00	95 Kg/EACH 209 LBS/EACH	115 Kg/EACH 254 LBS/EACH

* DENOTES COLOR
 "B" = BLACK
 "W" = WHITE

REV	DATE	BY	CHK	APR	DESCRIPTION	ECN
01B	02-27-15	MDCA	BRAP	TCN	SEE SHEET 1 OF 5 FOR REVISIONS	V09000HA
01A	12-05-14	PBS	ADP	TCN	SEE SHEET 1 OF 5 FOR REVISIONS	V09000BX
00A	2-14-13	TWV	JDW	JDWE	SEE SHEET 1 OF 5 FOR REVISIONS	12V343ST-DC

TITLE		NET-ACCESS S TYPE VED READY CABINET 600mm WIDE X 1200mm DEEP FAMILY	
		CUSTOMER DRAWING	
ITEM REVISION NAME		12V343ST/01.PRT	
DATASET FILE NAME		12V343ST_DC/01B.PRT	
MATERIAL:		N/A	
DRAWING NUMBER:		12V343ST-DC	
DRAWN BY		DATE	CHK
T WV		2-14-13	JDW
SCALE		NONE	
SHT 2 OF 5		SIZE	
		A	

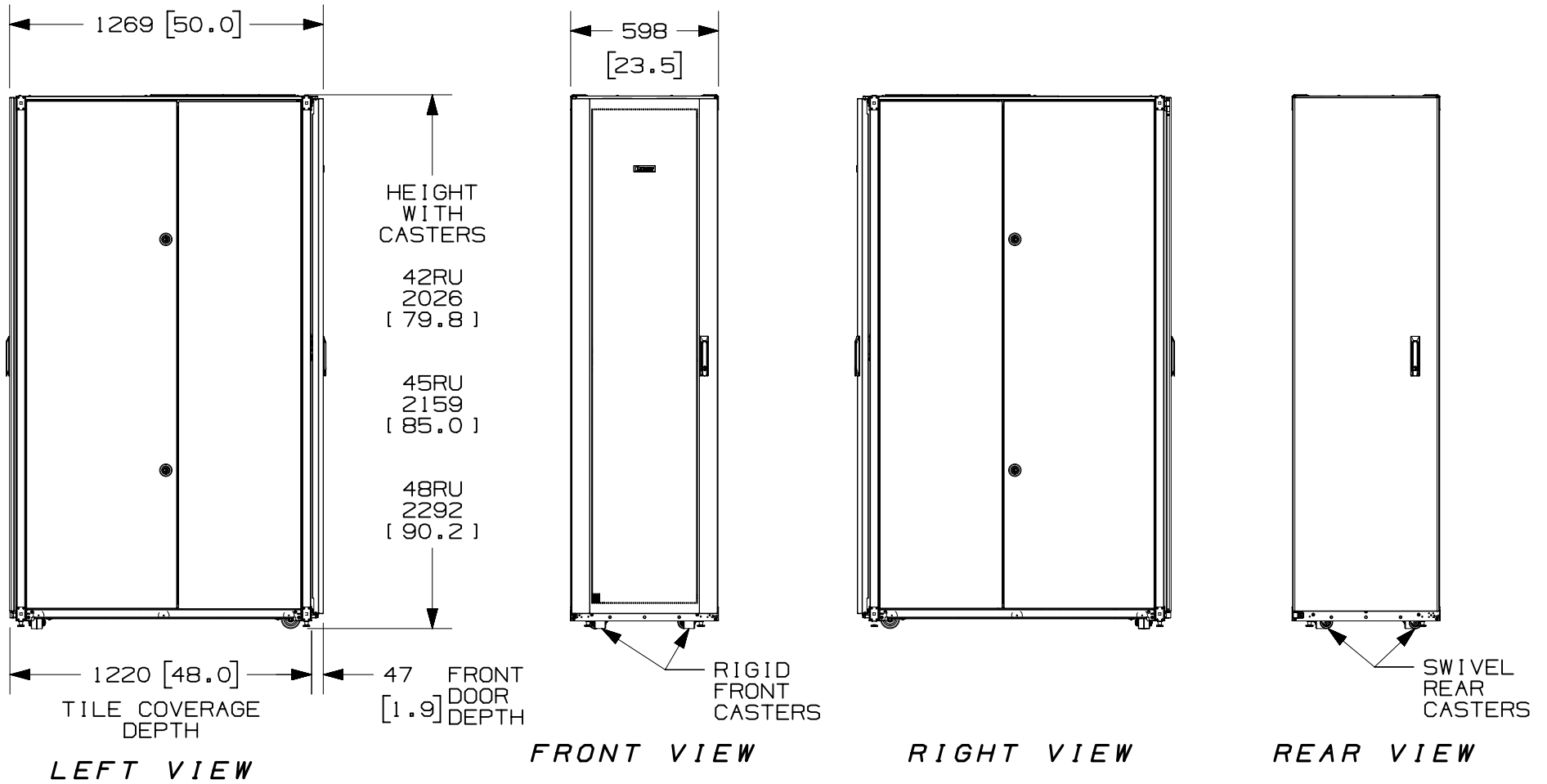


THIRD ANGLE PROJECTION

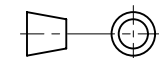
2

1

THIS COPY IS PROVIDED ON A RESTRICTED BASIS AND IS NOT TO BE USED IN ANY WAY DETRIMENTAL TO THE INTERESTS OF PANDUIT CORP.



						TITLE NET-ACCESS S TYPE VED READY CABINET 600mm WIDE X 1200mm DEEP FAMILY CUSTOMER DRAWING	
						ITEM REVISION NAME 12V343ST/01.PRT	
						DATASET FILE NAME 12V343ST_DC/01B.PRT	
						MATERIAL: N/A	
01B	02-27-15	MDCA	BRAP	TCN	SEE SHEET 1 OF 5 FOR REVISIONS	V09000HA	DRAWING NUMBER: 12V343ST-DC
01A	12-05-14	PBS	ADP	TCN	SEE SHEET 1 OF 5 FOR REVISIONS	V09000BX	
00A	2-14-13	TWV	JDW	JDWE	SEE SHEET 1 OF 5 FOR REVISIONS	12V343ST-DC	
REV	DATE	BY	CHK	APR	DESCRIPTION	ECN	



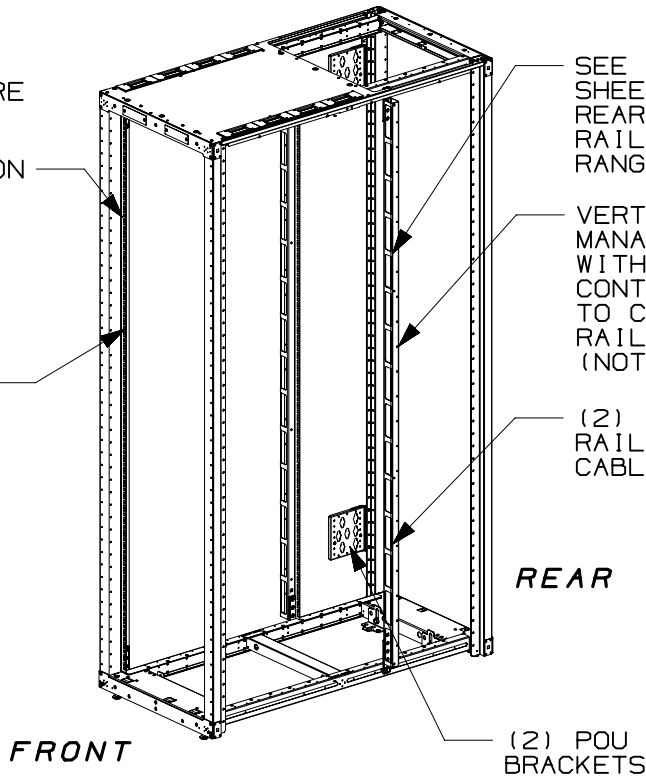
THIRD ANGLE PROJECTION

DRAWN BY TWV	DATE 2-14-13	CHK JDW	SCALE NONE	SHT 3 OF 5	SIZE A
-----------------	-----------------	------------	---------------	------------	-----------

THIS COPY IS PROVIDED ON A RESTRICTED BASIS AND IS NOT TO BE USED IN ANY WAY DETRIMENTAL TO THE INTERESTS OF PANDUIT CORP.

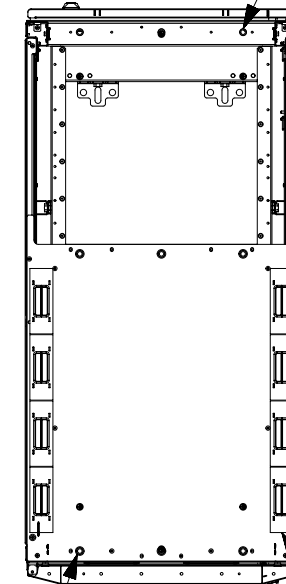
RACK UNITS ARE NUMBERED AND INDEXED FOR IDENTIFICATION

(2) FIXED FRONT EQUIPMENT RAILS



REAR

(6) LOCATIONS TAPPED FOR M10 THREADED ROD WILL BE COVERED WHEN VED IS INSTALLED



FRONT

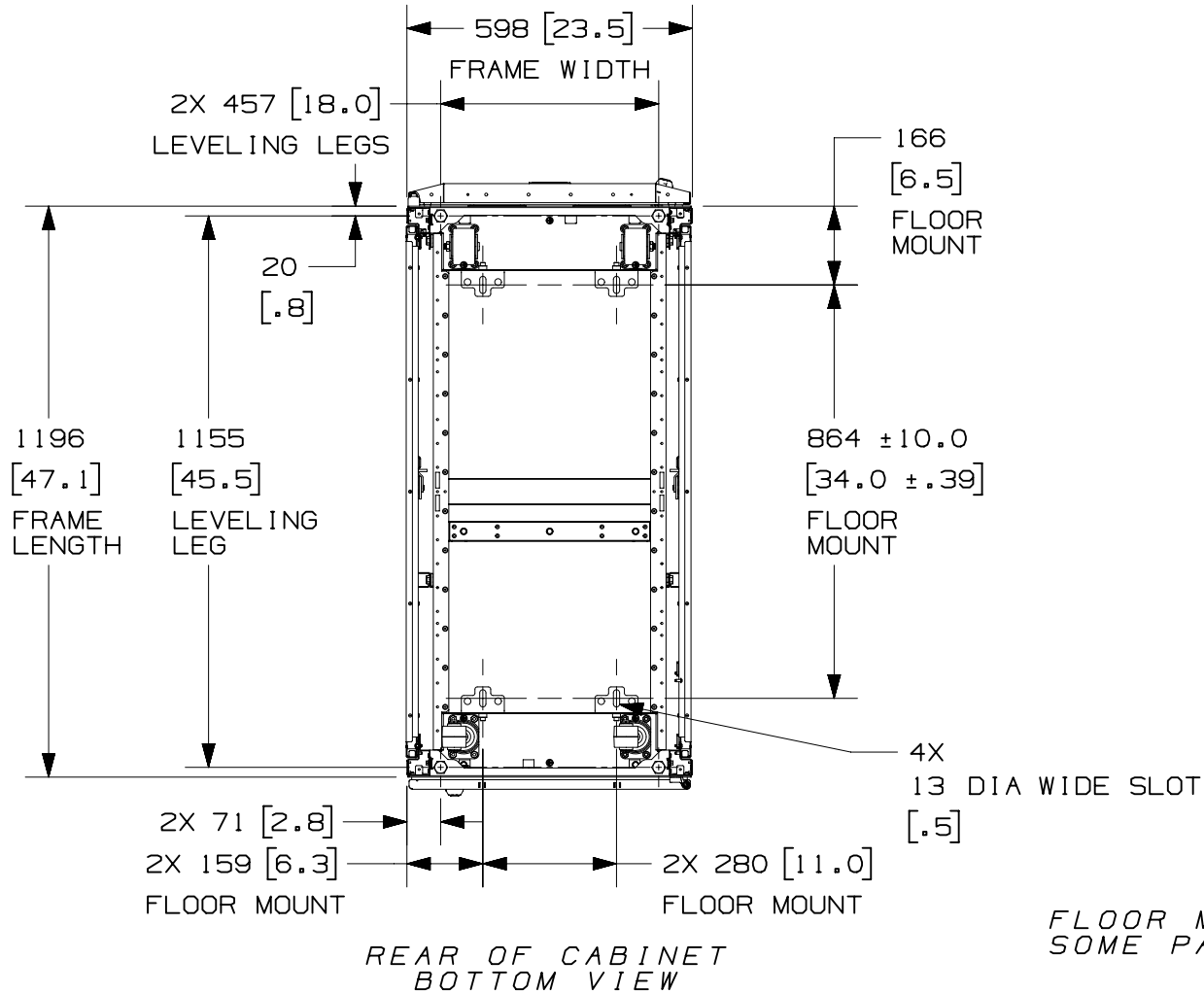
TOP VIEW

FRONT DOOR, REAR DOOR, AND SIDE PANELS NOT SHOWN

REV	DATE	BY	CHK	APR	DESCRIPTION	ECN
01B	02-27-15	MDCA	BRAP	TCN	SEE SHEET 1 OF 5 FOR REVISIONS	V09000HA
01A	12-05-14	PBS	ADP	TCN	SEE SHEET 1 OF 5 FOR REVISIONS	V09000BX
00A	2-14-13	TWV	JDW	JDWE	SEE SHEET 1 OF 5 FOR REVISIONS	12V343ST-DC

TITLE				NET-ACCESS S TYPE VED READY CABINET 600mm WIDE X 1200mm DEEP FAMILY			
				CUSTOMER DRAWING			
ITEM REVISION NAME				12V343ST/01.PRT			
DATASET FILE NAME				12V343ST_DC/01B.PRT			
MATERIAL:				N/A			
DRAWING NUMBER:				12V343ST-DC			
DRAWN BY		DATE		CHK		SCALE	
TWV		2-14-13		JDW		NONE	
THIRD ANGLE PROJECTION				SHT 4 OF 5			
				SIZE			
				A			

THIS COPY IS PROVIDED ON A RESTRICTED BASIS AND IS NOT TO BE USED IN ANY WAY DETRIMENTAL TO THE INTERESTS OF PANDUIT CORP.



FLOOR MOUNTING HOLE LOCATIONS - SOME PARTS REMOVED FOR CLARITY

REAR OF CABINET
BOTTOM VIEW

REV	DATE	BY	CHK	APR	DESCRIPTION	ECN
01B	02-27-15	MDCA	BRAP	TCN	SEE SHEET 1 OF 5 FOR REVISIONS	V09000HA
01A	12-05-14	PBS	ADP	TCN	SEE SHEET 1 OF 5 FOR REVISIONS	V09000BX
00A	2-14-13	TWV	JDW	JDWE	SEE SHEET 1 OF 5 FOR REVISIONS	12V343ST-DC

TITLE				NET-ACCESS S TYPE VED READY CABINET 600mm WIDE X 1200mm DEEP FAMILY CUSTOMER DRAWING			
ITEM REVISION NAME				12V343ST/01.PRT			
DATASET FILE NAME				12V343ST_DC/01B.PRT			
MATERIAL:				N/A			
DRAWING NUMBER:				12V343ST-DC			
DRAWN BY	DATE	CHK	SCALE	THIRD ANGLE PROJECTION			
TWV	2-14-13	JDW	NONE				
SHT 5 OF 5		A					