

NetKey® 86mm x 86mm Shuttered Faceplates

PANDUIT®

DATA SHEET

86mm x 86mm shuttered faceplates are available in 1, 2 and 4-port configurations with spring-loaded doors that protect connectors from dust and debris when not in use. Faceplates offer modularity with all Panduit® NetKey® Modules for UTP, and fiber optic applications. Faceplates have both label pockets and icon slots that enable proper port identification. Mounting screws are concealed in a manner that provides added tamper resistance and an enhanced appearance of installation.



NetKey® 86mm x 86mm Shuttered Faceplates

M4.0-0.7 x 25mm panhead mounting screws

1-port: NKFP86F1SAW

2-port: NKFP86F2SAW

4-port: NKFP86F4SAW

M3.5-0.5 x 30mm panhead mounting screws

1-port: NKFPLUKF1SAW

2-port: NKFPLUKF2SAW

4-port: NKFPLUKF4SAW

NetKey® Category 5e Jack Modules

Leadframe

module: NK5E88M*Y

Punchdown

module: NKP5E88M*

NetKey® Category 6 Jack Modules

TP module: NK6TM**

Punchdown

module: NK688M*

technical information

Faceplate dimensions:	86.0mm x 86.0mm x 8.7mm (3.38"H x 3.38"W x 0.34"D)
Mounting options:	Screw holes with screw retention tabs
Number of ports:	1-port, 2-port and 4-port configurations
Packaging:	Includes faceplate, faceplate cover, label, label cover, and two panhead mounting screws

key features and benefits

Modularity	Accepts all Panduit® NetKey® Modules for UTP, and fiber optics which snap in and out for easy moves, adds, and changes
Spring loaded doors	Snap down over open connectors preventing dust and debris from touching contacts when patch cords are not connected
Concealed screws	Utilizes a two piece construction that allows a cover to snap over the base to hide mounting screws for added security
Labeling capability	Includes label pocket and icon slots that allow ports to be properly identified
Rounded edges	Promotes an aesthetic appearance of installations

applications

Panduit® NetKey® Faceplates offer an aesthetic solution that complements work areas while offering various features that enhance functionality. Offering modularity for installation flexibility, NetKey® Faceplates support all NetKey® Copper, Fiber, and Audio/Video applications.

As part of a global workstation outlet solution offered by Panduit, NetKey® 86mm x 86mm

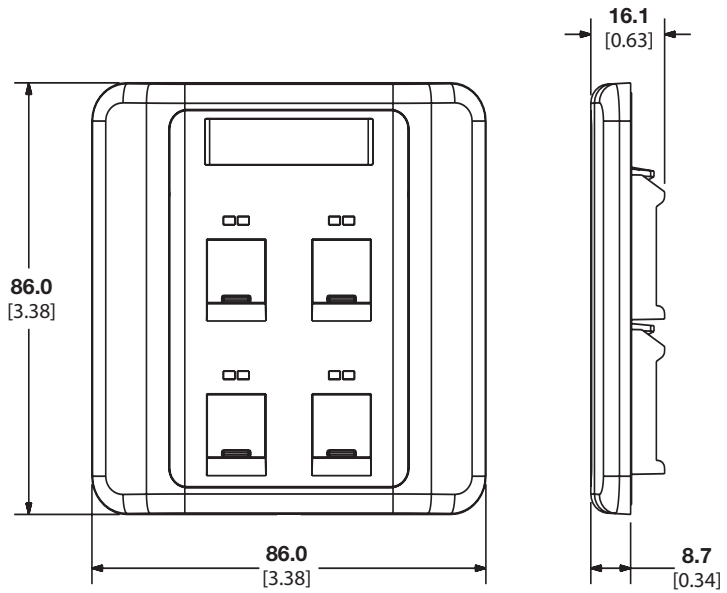
Shuttered Faceplates mount to select industry standard wall boxes as a two-piece design that snaps together to conceal mounting screws. NetKey® 86mm x 86mm Shuttered Faceplates are built with spring loaded shuttered doors that remain closed when connections are not in use to protect connectors from dust and debris. Built-in labels and icon slots enable easier identification for lower cost of maintenance.

www.panduit.com

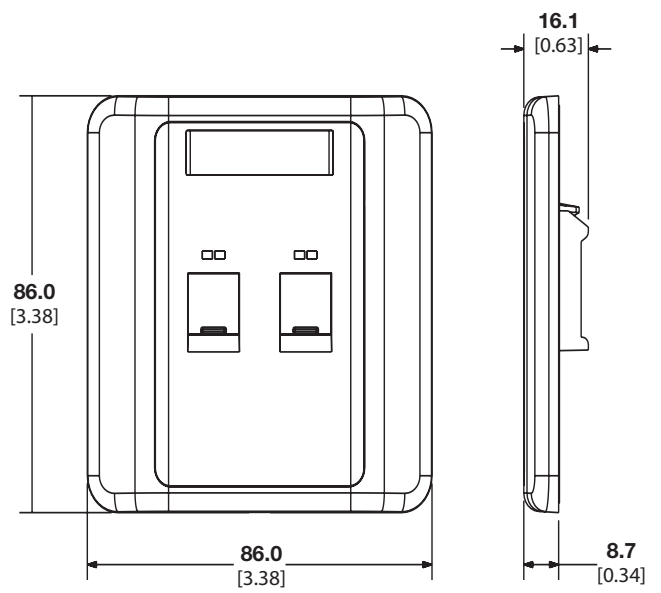
*To designate a color, add suffix IW (Off White), EI (Electric Ivory), IG (International Gray), WH (White), BL (Black), OR (Orange), RD (Red), BU (Blue), GR (Green), YL (Yellow), AW (Arctic White), or VL (Violet).

**For standard colors other than Off White (IW), add suffix BU (Blue), RD (Red), YL (Yellow), or GR (Green) before the Y at the end of the part number. For example, the part number for a blue, Category 5e, 5 meter patch cord is NK5EPC5MBUY.

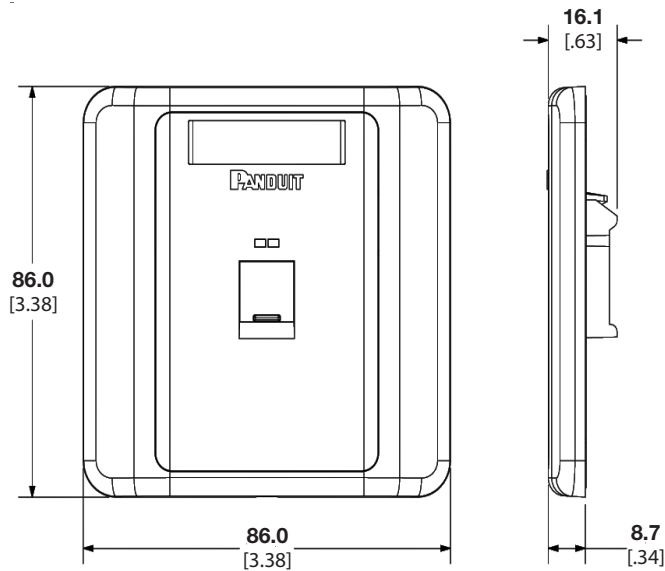
NetKey® 86mm x 86mm Shuttered Faceplates



NKFP86F4SAW (Includes two M4.0-0.7 x 25mm panhead mounting screws.)
NKFP86F4SAW (Includes two M3.5-0.5 x 30mm panhead mounting screws.)



NKFP86F2SAW (Includes two M4.0-0.7 x 25mm panhead mounting screws.)
NKFP86F2SAW (Includes two M3.5-0.5 x 30mm panhead mounting screws.)



NKFP86F1S (Includes two M4.0-0.7 x 25mm panhead mounting screws.)
NKFP86F1S (Includes two M3.5-0.5 X 30mm panhead mounting screws.)

Dimensions are in inches [Dimensions in brackets are metric]

WORLDWIDE SUBSIDIARIES AND SALES OFFICES

PANDUIT US/CANADA
Phone: 800.777.3300

PANDUIT EUROPE LTD.
London, UK
cs-emea@panduit.com
Phone: 44.20.8601.7200

PANDUIT SINGAPORE PTE. LTD.
Republic of Singapore
cs-ap@panduit.com
Phone: 65.6305.7575

PANDUIT JAPAN
Tokyo, Japan
cs-japan@panduit.com
Phone: 81.3.6863.6000

PANDUIT LATIN AMERICA
Guadalajara, Mexico
cs-la@panduit.com
Phone: 52.33.3777.6000

PANDUIT AUSTRALIA PTY. LTD.
Victoria, Australia
cs-aus@panduit.com
Phone: 61.3.9794.9020

For a copy of Panduit product warranties, log on to www.panduit.com/warranty

For more information

Visit us at www.panduit.com

Contact Customer Service by email: cs@panduit.com
or by phone: 800.777.3300

© 2017 Panduit Corp.
ALL RIGHTS RESERVED.
NKDS44--WW-ENG
10/2017