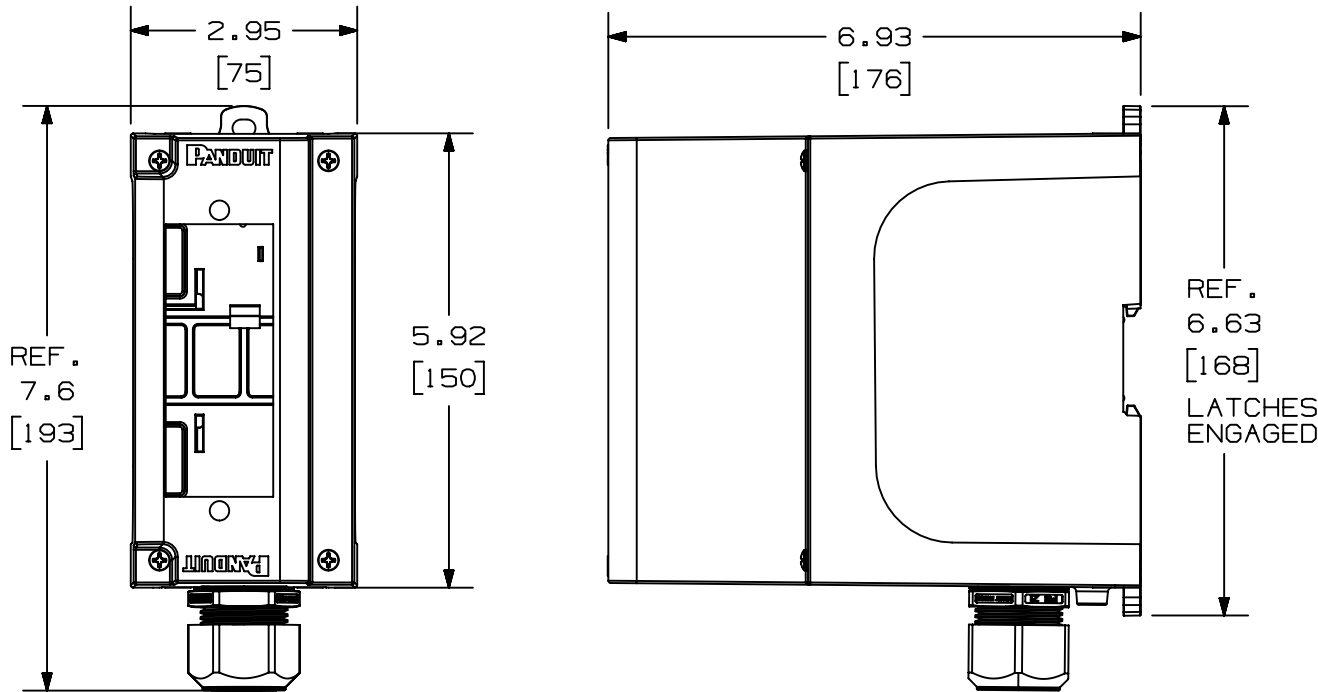
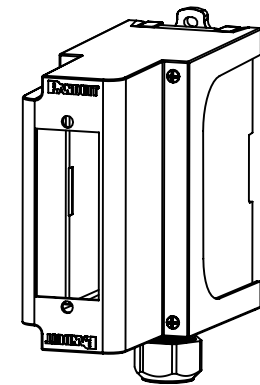


THIS COPY IS PROVIDED ON A RESTRICTED BASIS AND IS NOT TO BE USED IN ANY WAY DETRIMENTAL TO THE INTERESTS OF PANDUIT CORP.



NOTES:

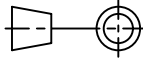
1. SEE CURRENT CATALOG:
  - A. FOR TECHNICAL AND OPERATING SPECIFICATIONS.
  - B. FOR COMPLETE LIST OF PARTS APPLICABLE FOR USE WITH THIS PRODUCT.
2. MATERIALS:
  - A. ENCLOSURE: COMPOSITE PLASTIC WITH METAL FASTENERS.
  - B. PRODUCT MUST COMPLY TO PANDUIT SPECIFICATION FOR CHEMICAL SUBSTANCES TO BE CONTROLLED IN PANDUIT PRODUCT AND PACKAGING C2-0834 AND APPENDICES C2-0835.
3. DIMENSIONS IN BRACKETS ARE METRIC [mm].
4. PART INCLUDES:
  - 1- BASE ASSEMBLY
  - 1- FIBER COVER
  - 1- PG21 CORD GRIP
  - 4- 6-32 X 3/8" PHILLIPS DRIVE SCREWS
  - 1- 6-32 X 1/4" PHILLIPS DRIVE SCREW



ISOMETRIC VIEW

FDPPE1G

PANDUIT P/N	WEIGHT
FDPPE1G	0.81 lb/PCS (368 g/PCS)

TITLE <b>INDUSTRIALNET FIBER DIN RAIL PATCH PANEL, EXTENDED FOR USE WITH FAPS AND OPTICOM FIBER CASSETTES</b>												
CUSTOMER DRAWING												
ITEM REVISION NAME <b>00949EAB/00</b>					<b>PANDUIT</b>							
DATASET FILE NAME <b>00949EAB_DC/00A</b>												
 THIRD ANGLE PROJECTION												
MATERIAL N/A					DRAWING NUMBER <b>00949EAB-DC</b>							
00A	3/20/23	JBO	RKA	BETL	INITIAL RELEASE	00949EAB-DC	DRAWN BY JBO	DATE 3/20/23	CHK RKA	SCALE NONE	SHEET 1 OF 1	SIZE A

REV	DATE	BY	CHK	APR	DESCRIPTION	ECN
00A	3/20/23	JBO	RKA	BETL	INITIAL RELEASE	00949EAB-DC